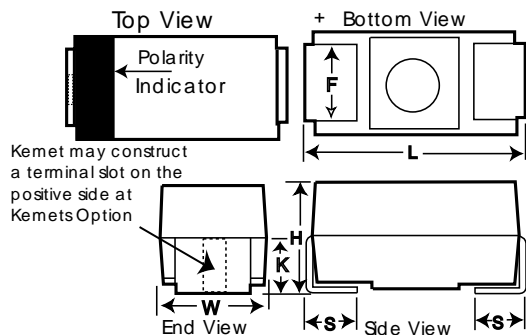


KEMET Part Number: T491B474K035ZT
(B45196E6474K209)

Capacitor, tantalum, 0.47 uF, 3528, +/-10% Tol, 35V@85C



Dimensions (mm)		
Symbol	Dimension	Tolerance
L	3.5	+/-0.2
W	2.8	+/-0.2
H	1.9	+/-0.2
K	1.4	typ
F	2.2	+/-0.1
S	0.7	+/-0.3

Notes:

-In polarity stripe, at KEMET's option, type may be indicated: see catalog for explanation of symbols

-Old part number [Obsolete] was B45196E6474K209

General Information	
Manufacturer:	KEMET
Construction:	Standard Chip-MnO2

Specifications	
Capacitance:	0.47 uF
Voltage DC @ 85C:	35V
Voltage DC @ 105C:	29V
Voltage DC @ 125C:	23V
Tolerance:	+/-10%
Application:	General Purpose
Temperature Range:	-55/+125C
Body Type:	Molded Chip
Footprint:	3528
Termination:	Tin
RoHS:	Yes
Leakage Current:	0.5 uA
Dissipation Factor:	4%
Impedance @ 100kHz:	11 Ohm

Packaging Specifications	
Package Kind:	T&R
Package Size:	7in
Package Quantity:	2000