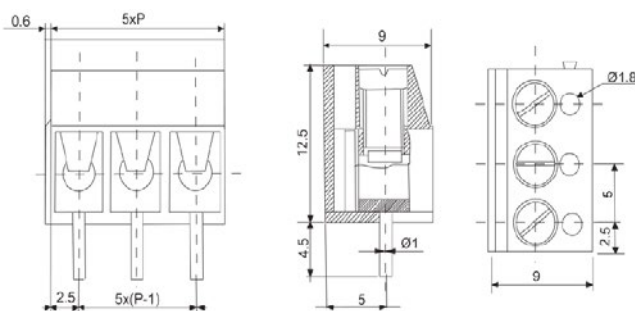


PCB Terminal Blocks

5 mm Pitch, Standard



Standard profile

Withstand Voltage - AC1500V/1min

Wire protector terminals - stainless steel

Screw/Torque - M3 Steel, Nickel Plated 0.4Nm

Guided pin alignment

Recommended PCB hole size ϕ 1.2mm-1.4mm

SPECIFICATION:

| | |
|--------------------------|-----------------------------------|
| Pitch | 5 mm |
| Termination type | Clamp Terminals/Screw Connection |
| Connection direction | horizontal |
| Rated current to EN | 16 A |
| Rated current to UL | 16 A |
| Rated voltage to EN | 250 V |
| Rated voltage to UL | 250 V |
| Connection cross-section | 0.3-2 mm ² (22-14 AWG) |
| Colour | black |
| Temperature range | -33...+120 °C |
| Width | 9 mm |
| Height | 12.5 mm |
| Material | PA 66, UL94-V0 |

PRODUCT RANGE:

| Art. Nr. | Poles | Length |
|---------------|-------|--------|
| RND 205-00001 | 2 | 10 mm |
| RND 205-00002 | 3 | 15 mm |
| RND 205-00003 | 4 | 20 mm |
| RND 205-00004 | 5 | 25 mm |
| RND 205-00005 | 6 | 30 mm |
| RND 205-00006 | 7 | 35 mm |
| RND 205-00007 | 8 | 40 mm |
| RND 205-00008 | 9 | 45 mm |
| RND 205-00009 | 10 | 50 mm |
| RND 205-00010 | 11 | 55 mm |
| RND 205-00011 | 12 | 60 mm |