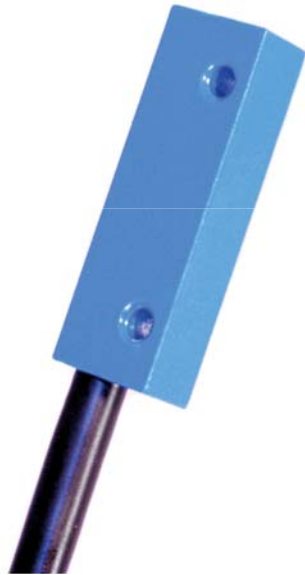


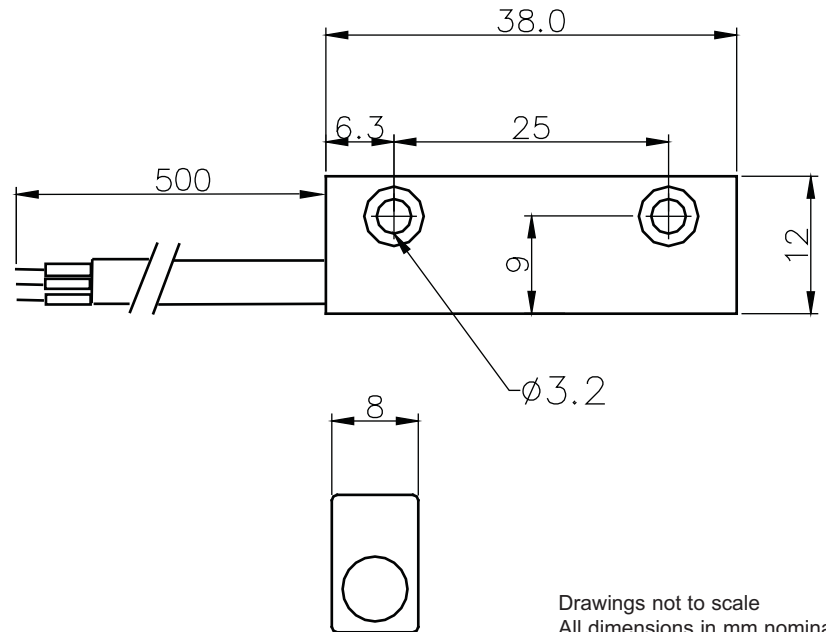
Aluminium Housed Proximity Switch - Changeover Contacts

Part Number : PRC-SA-001
Product Data Sheet

PICTURE



DIMENSIONS



Drawings not to scale
All dimensions in mm nominal

✓ RoHS Compliant

SPECIFICATION

| | | |
|-----------------------|--|-------------|
| Contact Form / Style | Changeover | |
| Switching voltage | Max Volts | 175 AC/DC |
| Switching Current | Max Amps | 0.4 |
| Switching Capacity | Max W/VA | 5 |
| Carry Current | Max Amps | 0.5 |
| Contact Resistance | Max mOhms | 120 |
| Operating Temperature | Celsius | -20° to 85° |
| Case Material | Blue powder coated Aluminium | |
| Cable | 3 core 0.50mm ² Black PVC insulated | |

Applications Include

- Position sensing.
- Linear actuators.
- Security switching.
- Safety guards/devices

Options/Features

- Robust sealed switch, custom housings available.
- Normally Open version available.
- Custom cable types, cable lengths, connectors or crimp terminals available.
- Hermetically sealed reed switch for long life.
- Powder coated housing for added corrosion resistance.

Did you know we also sell?



Rev. No.

1

Revision Note

Datasheet

Date

10-09-12

Signature

ML



As part of the company policy of continued product improvement, specifications may change without notice. Our sales office will be pleased to help you with the latest information on this product range and the details of our full design and manufacturing service. All products are supplied to our standard conditions of sale unless otherwise agreed in writing.

Phone : +44 (0)1255 862236

www.assemtech.co.uk

Fax: +44 (0)1255 862014

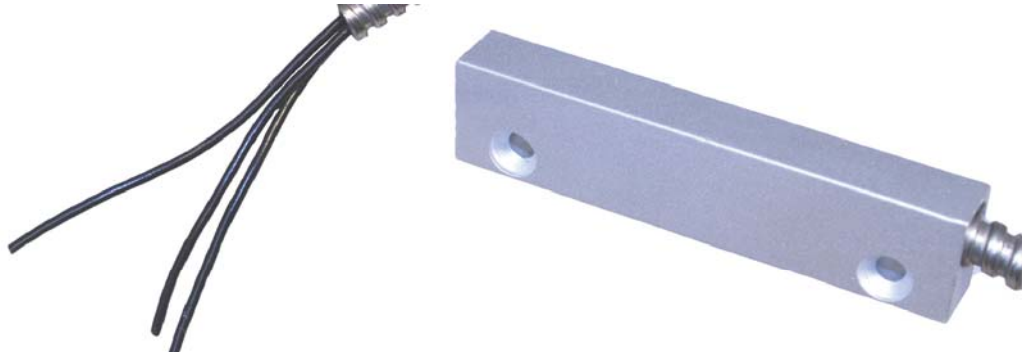
©2012 Copyright Assemtech Europe Ltd, Unit 7, Rice Bridge Industrial Estate, Thorpe - Le - Soken, Essex, CO16 0HL, ENGLAND.
USA: Comus International: +1 973 777 6900, Belgium: Comus Belgium BVBA: +32 (0)12 390400



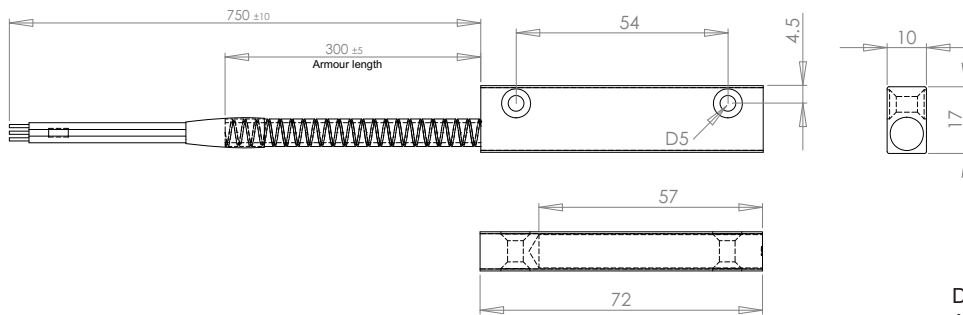
Aluminium Proximity Sensor - Armoured Cable- Change Over Contacts
Part Number : 78-4025 (PRC-SA-003) Rec Magnet 78-4027 (PRM-SA-003)
Product Data Sheet

PICTURE

✓ RoHS Compliant



DIMENSIONS



Drawings not to scale
 All dimensions in mm nominal

SPECIFICATION

| | | |
|-----------------------|-----------------|--|
| Contact Form / Style | Change over | |
| Switching Voltage | Max Volts AC/DC | 125 / 175 |
| Switching Current | Max Amps | 0.4 |
| Carry Current | Max Amps | 0.5 |
| Insulation Resistance | Max MOhms | 100 |
| Contact Resistance | Max mOhms | 120 |
| Operating Temperature | Celsius | - 40° to 85° |
| Case Material | Aluminium | |
| Cable | Max Volts AC | 3x 0.22mm ² PVC Insulated black |

Applications Include

Options

- Alarm Systems.
- Lorry and Truck doors.
- Access gates.
- Safety cut off switch.

- Normally open version available.
- Powder coated version available.
- Custom cable types, cable lengths, connectors or crimp terminals available.
- If you do not see what you need, just ask, as there is a strong possibility we can do it !

Did you know we also sell?



Rev. No.

Revision Note

Date

Signature

1

Datasheet

29-08 -14

ML



As part of the company policy of continued product improvement, specifications may change without notice. Our sales office will be pleased to help you with the latest information on this product range and the details of our full design and manufacturing service. All products are supplied to our standard conditions of sale unless otherwise agreed in writing.

Phone : +44 (0)1255 862236

www.comus-group.com

Fax: +44 (0)1255 862014

©2015 Copyright Comus Europe Ltd, Unit 7, Rice Bridge Industrial Estate, Thorpe - Le - Soken, Essex, CO16 0HL, ENGLAND.
 USA: Comus International:+1 973 777 6900, Belgium: Comus Belgium BVBA: +32 (0)12 390400

Aluminium Housed Proximity Switch - Changeover Contacts

Part Number : 78-4024 (PRC-SA-002) Rec'd Magnet 78-4027 (PRM-SA-003)

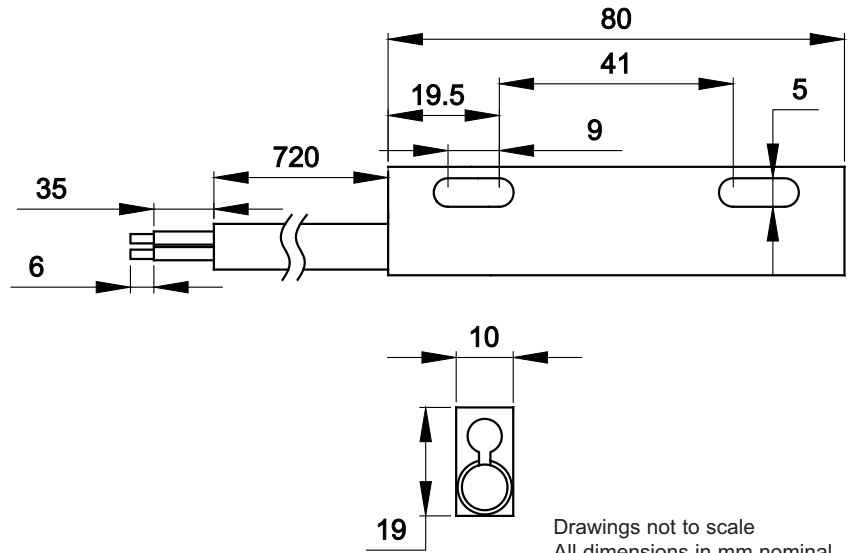
Product Data Sheet

PICTURE



✓ RoHS Compliant

DIMENSIONS



Drawings not to scale
All dimensions in mm nominal

SPECIFICATION

| | | |
|-----------------------|-----------|---|
| Contact Form / Style | | Changeover |
| Switching voltage | Max Volts | 400 AC/DC |
| Switching Current | Max Amps | 1.0 |
| Switching Capacity | Max W/VA | 60 |
| Carry Current | Max Amps | 2.0 |
| Switching Distance | Make | 15mm (with recommended magnet) |
| | Break | 24mm (with recommended magnet) |
| Contact Resistance | Max mOhms | 100 |
| Operating Temperature | Celsius | -20° to 85° |
| Case Material | | Blue powder coated Aluminium |
| Cable | | 4 core 0.75mm ² Black PVC insulated, Br / BI / Bla / G&Y |

Applications Include

- Position sensing.
- Linear actuators.
- Security switching.
- Safety guards/devices

Options/Features

- Robust sealed switch, custom housings available.
- Normally open version available.
- Custom cable types, cable lengths, connectors or crimp terminals available.
- Hermetically sealed reed switch for long life.
- Earthed housing for added safety

Did you know we also sell?



Rev. No.

2

Revision Note

Image/logo update

Date

22-11-13

Signature

ML



ISO 9001:2008
Certificate No. FM21080

As part of the company policy of continued product improvement, specifications may change without notice. Our sales office will be pleased to help you with the latest information on this product range and the details of our full design and manufacturing service. All products are supplied to our standard conditions of sale unless otherwise agreed in writing.

Phone : +44 (0)1255 862236

www.comus-group.com

Fax: +44 (0)1255 862014

©2013 Copyright Comus Europe Ltd, Unit 7, Rice Bridge Industrial Estate, Thorpe - Le - Soken, Essex, CO16 0HL, ENGLAND.
USA: Comus International:+1 973 777 6900, Belgium: Comus Belgium BVBA: +32 (0)12 390400