



## DECLARACIÓN DE PRESTACIONES



no 0009 – ES

1. Código de identificación única del producto tipo: **anclaje perno fischer FAZ II**

2. Usos previstos:

producto	Uso/s previsto/s
anclaje metálico para fijación de grandes cargas en hormigón	para anclar y/o apoyar elementos portantes de hormigón o elementos constructivos pesados, tales como revestimientos y falsos techos, Véase el apéndice, especialmente los anexos B 1 - B 4

3. Fabricante: **fischerwerke GmbH & Co. KG, Klaus-Fischer-Straße 1, 72178 Waldachtal, Germany**

4. Representante autorizado: --

5. Sistemas de evaluación y verificación de la constancia de las prestaciones (EVCP): **1**

6a. Norma armonizada: ---

Organismos notificados: ---

6b. Documento de evaluación europeo: **ETAG 001; 2013-04**

Evaluación técnica europea: **ETA-05/0069; 2015-03-04**

Organismo de evaluación técnica: **DIBt**

Organismos notificados: **1343 – MPA Darmstadt**

7. Prestaciones declaradas:

### Resistencia mecánica y estabilidad (BWR 1)

indicación esencial	Prestaciones
resistencia característica para acciones estáticas y quasi estáticas para dimensionado según ETAG 001-Anexo C o CEN/TS 1992-4:2009	Ver anexo, especialmente anexo C 1 - C 3
resistencia característica para las categorías sísmicas C1 y C2	Ver anexo, especialmente anexo C 6 - C 7
desplazamientos para acciones estáticas y quasi-estáticas	Ver anexo, especialmente anexo C 8
desplazamientos para acciones sísmicas	Ver anexo, especialmente anexo C 9

### protección contra incendios (BWR 2)

indicación esencial	Prestaciones
Reacción al fuego	el anclaje cumple con las exigencias de la clase A1.
resistencia al fuego	Ver anexo, especialmente anexo C 4, C 5

8. Documentación técnica adecuada o documentación técnica específica: ---

Las prestaciones del producto identificado anteriormente son conformes con el conjunto de prestaciones declaradas. La presente declaración de prestaciones se emite, de conformidad con el Reglamento (UE) no 305/2011, bajo la sola responsabilidad del fabricante arriba identificado.

Firmado por y en nombre del fabricante por:

Andreas Bucher, Dipl.-Ing.

Wolfgang Hengesbach, Dipl.-Ing., Dipl.-Wirtsch.-Ing.

Tumlingen, 2015-03-11

- Este DoP ha sido redactado en varios idiomas. En caso de disputa acerca de la interpretación siempre prevalecerá la versión en inglés.

- el anexo contiene información voluntaria y complementaria en inglés, que va más allá de las exigencias legales.

**Specific Part****1 Technical description of the product**

The Fischer Bolt Anchor FAZ II is an anchor made of galvanised steel (FAZ II) or made of stainless steel (FAZ II A4) or high corrosion resistant steel (FAZ II C) which is placed into a drilled hole and anchored by torque-controlled expansion.

The product description is given in Annex A.

**2 Specification of the intended use in accordance with the applicable European Assessment Document**

The performances given in Section 3 are only valid if the anchor is used in compliance with the specifications and conditions given in Annex B.

The verifications and assessment methods on which this European Technical Assessment is based lead to the assumption of a working life of the anchor of at least 50 years. The indications given on the working life cannot be interpreted as a guarantee given by the producer, but are to be regarded only as a means for choosing the right products in relation to the expected economically reasonable working life of the works.

**3 Performance of the product and references to the methods used for its assessment****3.1 Mechanical resistance and stability (BWR 1)**

Essential characteristic	Performance
Characteristic resistance for static and quasi static action for design according to ETAG 001 Annex C or CEN/TS 1992-4:2009	See Annex C 1 to C 3
Characteristic resistance for Seismic performance categories C1 and C2	See Annex C 6 to C 7
Displacements under static and quasi static action	See Annex C 8
Displacements under seismic action	See Annex C 9

**3.2 Safety in case of fire (BWR 2)**

Essential characteristic	Performance
Reaction to fire	Anchorage satisfy requirements for Class A1
Characteristic resistance under fire exposure	See Annex C 4, C 5

**3.3 Hygiene, health and the environment (BWR 3)**

Not applicable.

**3.4 Safety in use (BWR 4)**

The essential characteristics regarding Safety in use are included under the Basic Works Requirement Mechanical resistance and stability.

**3.5 Protection against noise (BWR 5)**

Not applicable.

**3.6 Energy economy and heat retention (BWR 6)**

Not applicable.

**3.7 Sustainable use of natural resources (BWR 7)**

The sustainable use of natural resources was not investigated.

**3.8 General aspects**

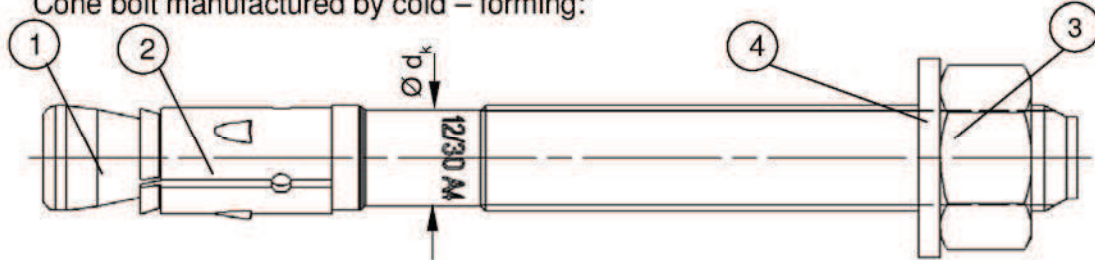
The verification of durability is part of testing the essential characteristics. Durability is only ensured if the specifications of intended use according to Annex B are taken into account.

**4 Assessment and verification of constancy of performance (AVCP) system applied, with reference to its legal base**

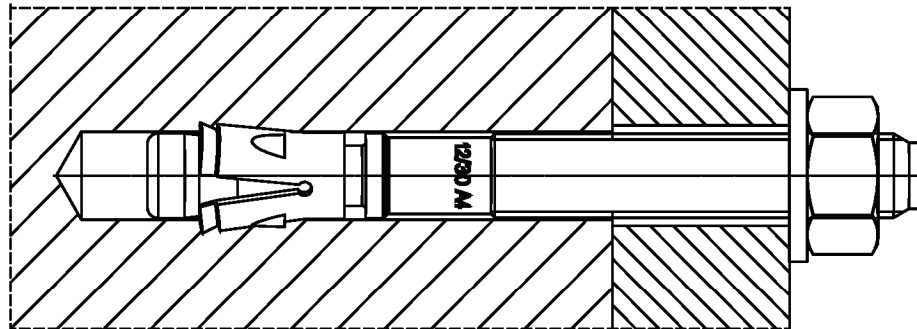
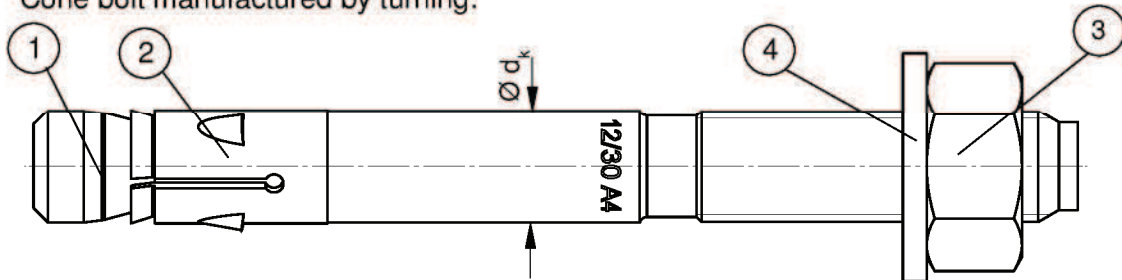
According to Decision of the Commission of 24 June 1996 (96/582/EC) (OJ L 254 of 08.10.96 p. 62-65), the system of assessment and verification of constancy of performance (see Annex V and Article 65 Paragraph 2 to Regulation (EU) No 305/2011) given in the following table applies.

Product	Intended use	Level or class	System
Metal anchors for use in concrete (heavy-duty type)	For fixing and/or supporting concrete structural elements or heavy units such as cladding and suspended ceilings	—	1

Cone bolt manufactured by cold – forming:



Cone bolt manufactured by turning:



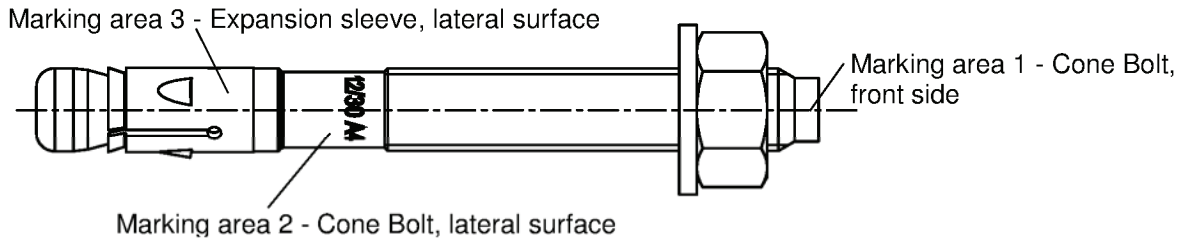
- ① Cone bolt (cold – formed or turned)
- ② Expansion sleeve
- ③ Hexagon nut
- ④ Washer

fischer Bolt anchor FAZ II, FAZ II A4, FAZ II C

**Product description**  
Installed condition

**Annex A 1**

**FAZ II for use with standard and reduced anchorage depth ( $h_{ef, sta}$  and  $h_{ef, red}$ ):**



Product label, example:



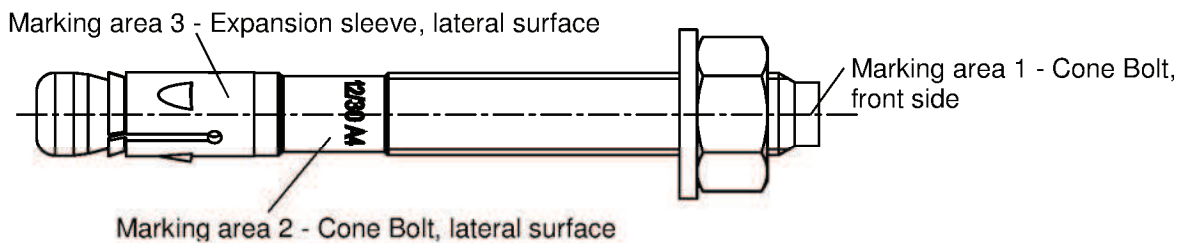
Brand | type of anchor placed on marking area 2 or marking area 3

thread size / max. thickness of fixture ( $t_{fix}$ ) for  $h_{ef, sta}$  identification A4 placed on marking area 2

**Table A1:** Letter-code on marking area 1 and maximum thickness of fixture  $t_{fix}$ :

marking	(A)	(B)	(C)	(D)	(E)	(F)	(G)	(H)	(I)	(K)	(L)	(M)	(N)	(O)	(P)	(R)	(S)	(T)	(U)	(V)	(W)	(X)	(Y)	(Z)	
max. $t_{fix}$ for $h_{ef, sta}$	M8-M24	5	10	15	20	25	30	35	40	45	50	60	70	80	90	100	120	140	160	180	200	250	300	350	400
max. $t_{fix}$ for $h_{ef, red}$	M10-M16	25	30	35	40	45	50	55	60	65	70	80	90	100	110	120	140	160	180	200	220	270	320	370	420

**FAZ II K for use with reduced anchorage depth only ( $h_{ef, red}$ ):**



Product label, example:



Brand | type of anchor placed on marking area 2 or marking area 3

thread size / max. thickness of fixture ( $t_{fix}$ ) identification K for  $h_{ef, red}$  | identification A4 placed on marking area 2

**Table A2:** Letter-code on marking area 1 and maximum thickness of fixture  $t_{fix}$ :

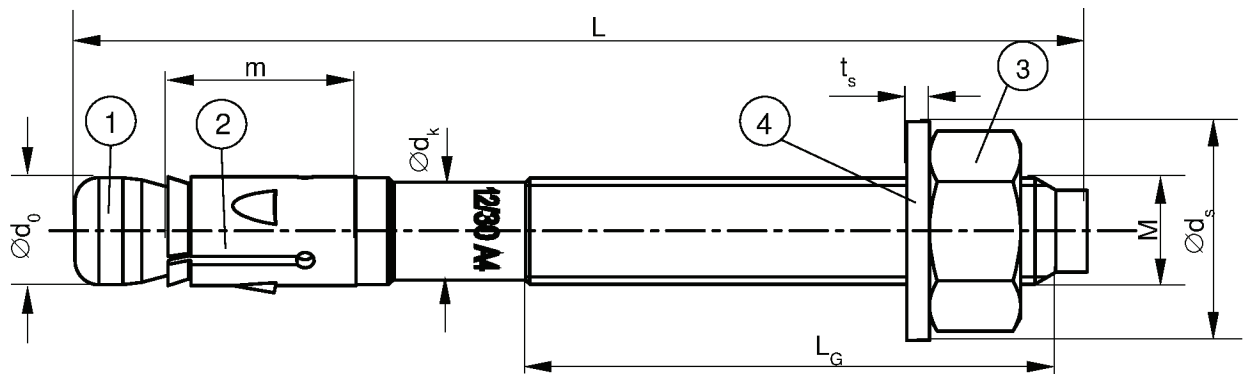
marking	(a)	(b)	(c)	(d)	
max. $t_{fix}$ for $h_{ef, red}$	M10-M16	5	10	15	20

Identification for  $h_{ef, red}$  are lower-case letters

fischer Bolt anchor FAZ II, FAZ II A4, FAZ II C

**Product description**  
Anchor Types

**Annex A 2**



**Table A3:** Anchor dimensions [mm]

Part	Designation	FAZ II, FAZ II A4, FAZ II C							
		M8	M10	M12	M16	M20	M24		
1	Cone bolt	thread size M	M8	M10	M12	M16	M20	M24	
		$\varnothing d_0$	7,8	9,8	11,8	15,7	19,8	23,5	
		$\varnothing d_k$	7,1	8,9	10,7	14,5	19,8	23,5	
		$L_G$	$\geq$	19	26	31	40	50	57
2	Expansion sleeve	m	17,8	20,0	20,6	27,5	33,4	40,2	
		sheet thickness	1,3	1,4	1,6	2,4	2,4	3,0	
3	Hexagon nut	wrench size	13	17	19	24	30	36	
4	Washer	$t_s$	$\geq$	1,4	1,8	2,3	2,7	2,7	3,7
		$\varnothing d_s$	$\geq$	15	19	23	29	36	43
Thickness of fixture	$t_{fix}$	$\geq$	0	0	0	0	0	0	
		$\leq$	200	250	300	400	500	600	
Length of anchor	$L_{min}$	=	64,5	64,5	79	102	141	174	
	$L_{max}$	=	267	336	401	524,5	644	777	

fischer Bolt anchor FAZ II, FAZ II A4, FAZ II C

**Product description**  
Anchor dimensions

**Annex A 3**

**Table A4: Materials FAZ II**

Part	Designation	Material
1	Cone bolt	Cold form steel or free cutting steel (zinc plated) Nominal steel tensile strength: $f_{uk} \leq 1000 \text{ N/mm}^2$
2	Expansion sleeve	Cold strip, EN 10139:2013 (zinc plated)
3	Hexagon nut	Steel, property class min. 8, EN ISO 898-2:2012 (zinc plated)
4	Washer	Cold strip, EN 10139:2013 (zinc plated)

**Table A5: Materials FAZ II A4**

Part	Designation	Material
1	Cone bolt	stainless steel EN 10088:2014 Nominal steel tensile strength: $f_{uk} \leq 1000 \text{ N/mm}^2$
2	Expansion sleeve	stainless steel EN 10088:2014
3	Hexagon nut	stainless steel EN 10088:2014; ISO 3506-2: 2009; property class – min. 70
4	Washer	stainless steel EN 10088:2014

**Table A6: Materials FAZ II C**

Part	Designation	Material
1	Cone bolt	high corrosion resistant steel EN 10088:2014 Nominal steel tensile strength: $f_{uk} \leq 1000 \text{ N/mm}^2$
2	Expansion sleeve	stainless steel EN 10088:2014
3	Hexagon nut	high corrosion resistant steel EN 10088:2014; ISO 3506-2:2009; property class – min. 70
4	Washer	high corrosion resistant steel EN 10088:2014

fischer Bolt anchor FAZ II, FAZ II A4, FAZ II C

**Product description**  
Materials

**Annex A 4**

**Specifications of intended use**

**Anchorage subject to:**

Standard anchorage depth				✓			
Bolt anchor FAZ II, FAZ II A4, FAZ II C	M8	M10	M12	M16	M20	M24	
Static and quasi-static action				✓			
Cracked and non-cracked concrete				✓			
Fire exposure				✓			
Seismic action for Performance Category	C1			✓			
	C2 <sup>1)</sup>	-		✓			-
Reduced anchorage depth	-		✓				-
Bolt anchor FAZ II, FAZ II A4, FAZ II C	-	M10	M12	M16			-
Static and quasi-static action	-		✓				-
Cracked and non-cracked concrete	-		✓				-
Fire exposure	-		✓				-
Seismic action for Performance Category	C1	-	✓				-
	C2 <sup>1)</sup>	-	✓				-

<sup>1)</sup> FAZ II C: Only valid for cold-formed version (see A1)

**Base materials:**

- Reinforced and unreinforced normal weight concrete (cracked and non-cracked according to EN 206:2013).
- Strength classes C20/25 to C50/60 according to EN 206:2013

**Use conditions (Environmental conditions):**

- Structures subject to dry internal conditions (FAZ II, FAZ II A4, FAZ II C).
- Structures subject to external atmospheric exposure including industrial and marine environment or exposure to permanently damp internal condition, if no particular aggressive conditions exist. (FAZ II A4, FAZ II C).
- Structures subject to external atmospheric exposure and permanently damp internal condition or in other particular aggressive conditions (FAZ II C).

Note: Particular aggressive conditions are e.g. permanent, alternating immersion in seawater or the splash zone of seawater, chloride atmosphere of indoor swimming pools or atmosphere with extreme chemical pollution (e.g. in desulphurization plants or road tunnels where de-icing materials are used).

**Design:**

- Anchorages are to be designed under the responsibility of an engineer experienced in anchorages and concrete work.
- Verifiable calculation notes and drawings are to be prepared taking account of the loads to be anchored. The position of the anchor is indicated on the design drawings (e.g. position of the anchor relative to reinforcement or to supports, etc.).
- Anchorages under static or quasi-static actions are to be designed in accordance with (please choose the relevant design method):
  - ETAG 001, Annex C, design method A, Edition August 2010 or
  - CEN/TS 1992-4:2009, design method A
- Anchorages under seismic actions (cracked concrete) are to be designed in accordance with:
  - EOTA Technical Report TR 045, Edition February 2013
  - Anchorages shall be positioned outside of critical regions (e.g. plastic hinges) of the concrete structure.
  - Fastenings in stand-off installation or with a grout layer under seismic action are not allowed.
- Anchorages under fire exposure are to be designed in accordance with:
  - EOTA Technical Report TR 020, Edition May 2004
  - CEN/TS 1992-4:2009, Annex D
  - It must be ensured that local spalling of the concrete cover does not occur.

fischer Bolt anchor FAZ II, FAZ II A4, FAZ II C

**Intended Use**  
Specifications

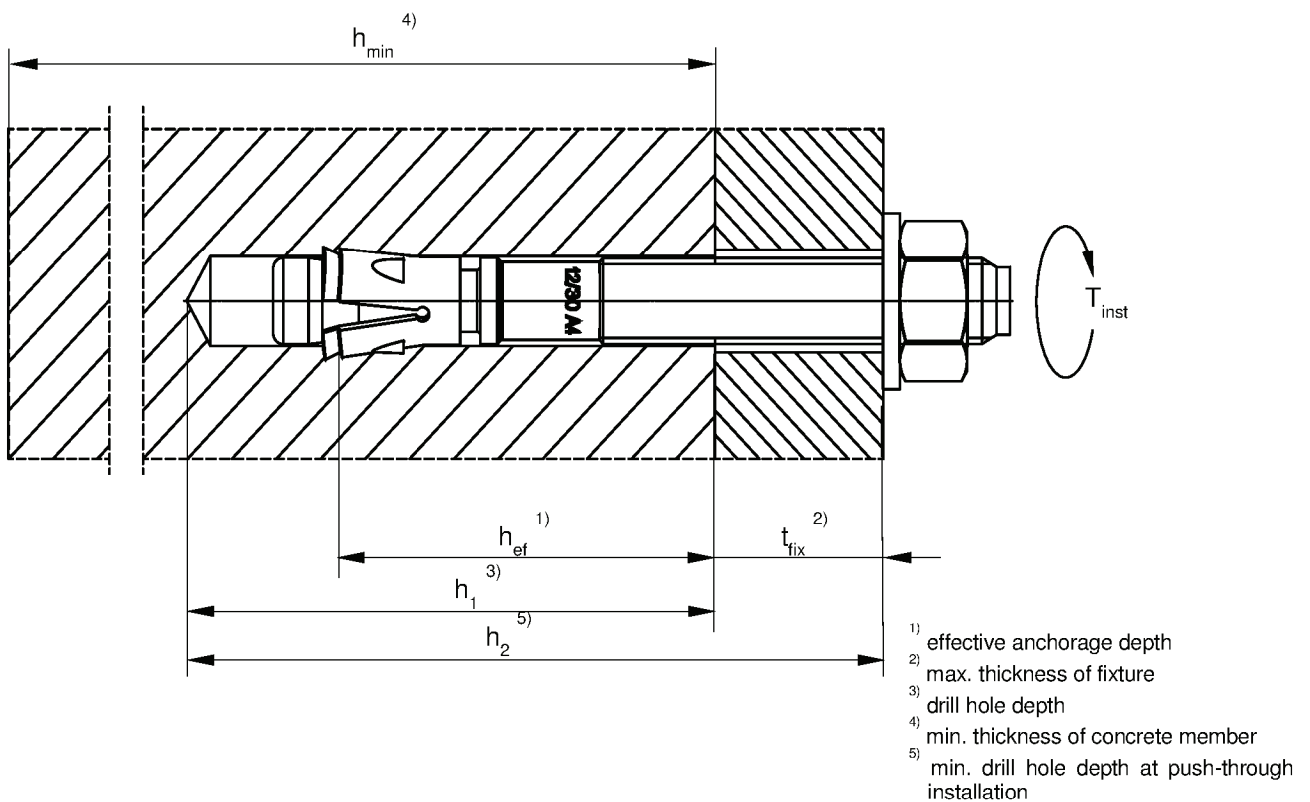
**Annex B 1**



**Table B1:** Installation parameters

Type of anchor / size		FAZ II, FAZ II A4, FAZ II C					
		M8	M10	M12	M16	M20	M24
Nominal drill hole diameter	$d_0 = [\text{mm}]$	8	10	12	16	20	24
Cutting diameter of drill bit	$d_{\text{cut}} \leq [\text{mm}]$	8,45	10,45	12,5	16,5	20,55	24,55
Standard anchorage depth	$h_{\text{ef,sta}} \geq [\text{mm}]$	45	60	70	85	100	125
Depth of drill hole in concrete for $h_{\text{ef,sta}}$	$h_{1,\text{sta}} \geq [\text{mm}]$	55	75	90	110	125	155
Reduced anchorage depth	$h_{\text{ef,red}} \geq [\text{mm}]$	-	40	50	65	-	-
Depth of drill hole in concrete for $h_{\text{ef,red}}$	$h_{1,\text{red}} \geq [\text{mm}]$	-	55	70	90	-	-
Diameter of clearance hole in the fixture <sup>1)</sup>	$d_f \leq [\text{mm}]$	9	12	14	18	22	26
Required torque moment	$T_{\text{inst}} = [\text{Nm}]$	20	45	60	110	200	270

<sup>1)</sup> If a larger diameter of the clearance hole in the fixture is used, see Chapter 4.2.2.1 of ETAG 001, Annex C



fischer Bolt anchor FAZ II, FAZ II A4, FAZ II C

**Intended Use**  
Installation parameters

**Annex B 2**

**Table B2:** Minimum thickness of concrete members, minimum spacings and minimum edge distances of anchors for **standard anchorage depth ( $h_{ef, sta}$ )**

Type of anchor / size		FAZ II, FAZ II A4, FAZ II C						
		M8	M10	M12	M16	M20	M24	
<b>Standard effective anchorage depth</b>	$h_{ef, sta} \geq$ [mm]	<b>45</b>	<b>60</b>	<b>70</b>	<b>85</b>	<b>100</b>	<b>125</b>	
Applications with concrete members of thickness $\geq 2 \times h_{ef}$	<b>Minimum thickness of concrete member</b>	$h_{min, 1}$ [mm]	<b>100</b>	<b>120</b>	<b>140</b>	<b>170</b>	<b>200</b>	<b>250</b>
	<b>Non – cracked concrete</b>							
	Minimum spacing	$s_{min}$ [mm]	40	40	50	65	95	100
		for $c \geq$ [mm]	50	60	70	95	180	200
	Minimum edge distance	$c_{min}$ [mm]	40	45	55	65	95	135
		for $s \geq$ [mm]	100	80	110	150	190	235
	<b>Cracked concrete</b>							
	Minimum spacing	$s_{min}$ [mm]	35	40	50	65	95	100
for $c \geq$ [mm]		50	55	70	95	140	170	
Minimum edge distance	$c_{min}$ [mm]	40	45	55	65	85	100	
	for $s \geq$ [mm]	70	80	110	150	190	220	
Applications with concrete members of thickness $< 2 \times h_{ef}$	<b>Minimum thickness of concrete member</b>	$h_{min, 2}$ [mm]	<b>80</b>	<b>100</b>	<b>120</b>	<b>140</b>	<b>160</b>	<b>200</b>
	<b>Cracked and non-cracked concrete</b>							
	Minimum spacing	$s_{min}$ [mm]	35	40	50	80	125	150
		for $c \geq$ [mm]	70	100	90	130	220	230
	Minimum edge distance	$c_{min}$ [mm]	40	60	60	65	125	135
		for $s \geq$ [mm]	100	90	120	180	230	235

Intermediate values for  $s_{min}$  and  $c_{min}$  inside of the same thickness of concrete member by linear interpolation.

**Table B3:** Minimum thickness of concrete members, minimum spacings and minimum edge distances of anchors for **reduced anchorage depth ( $h_{ef, red}$ )**

Type of anchor / size		FAZ II, FAZ II A4, FAZ II C			
		M10	M12	M16	
<b>Reduced effective anchorage depth</b>	$h_{ef, red} \geq$ [mm]	<b>40</b>	<b>50</b>	<b>65</b>	
Applications with concrete members of thickness $\geq 2 \times h_{ef}$	<b>Minimum thickness of concrete member</b>	$h_{min, 3}$ [mm]	<b>80</b>	<b>100</b>	<b>140</b>
	<b>Non – cracked concrete</b>				
	Minimum spacing	$s_{min}$ [mm]	40	50	65
		for $c \geq$ [mm]	100	110	130
	Minimum edge distance	$c_{min}$ [mm]	45	55	65
		for $s \geq$ [mm]	180	220	250
	<b>Cracked concrete</b>				
	Minimum spacing	$s_{min}$ [mm]	40	50	65
for $c \geq$ [mm]		90	110	130	
Minimum edge distance	$c_{min}$ [mm]	45	55	65	
	for $s \geq$ [mm]	180	220	250	

Intermediate values for  $s_{min}$  and  $c_{min}$  by linear interpolation.

fischer Bolt anchor FAZ II, FAZ II A4, FAZ II C

**Intended Use**  
Installation parameters

**Annex B 3**

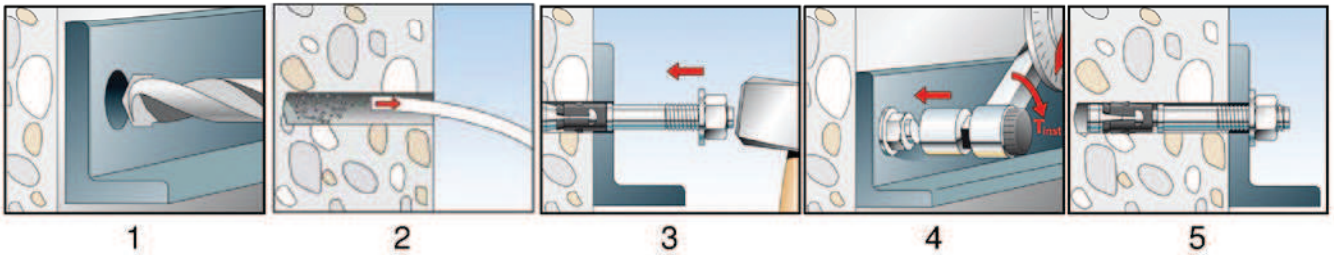
**Table B4:** Minimum spacings and minimum edge distances of anchors according to **TR 020 and ETAG 001, Annex C** under **fire exposure** and according to **CEN/TS 1992-4: 2009, Annex D** under **fire exposure**

Type of anchor / size			FAZ II, FAZ II A4, FAZ II C					
			M8	M10	M12	M16	M20	M24
Spacing	$s_{min}$	[mm]	35	40	45	60	95	100
Edge distance	$c_{min}$	[mm]	$c_{min} = 2 \times h_{ef}$ , for fire exposure from more than one side $c_{min} \geq 300$ mm					

### Installation instructions

The fitness for use of the anchor can only be assumed if the anchor is installed as follows:

- Anchor installation carried out by appropriately qualified personnel and under the supervision of the person responsible for technical matters of the site.
- Use of the anchor only as supplied by the manufacturer without exchanging the components of the anchor
- Checking before placing the anchor to ensure that the strength class of the concrete in which the anchor is to be placed is in the range given and is not lower than that of the concrete to which the characteristic loads apply.
- Check of concrete being well compacted, e.g. without significant voids
- Edge distances and spacing not less than the specified values without minus tolerances.



No.	Description
1	<p>Create drill hole</p> <p>Drill hole perpendicular to concrete surface, positioning without damaging the reinforcement. In case of aborted hole: new drilling at a minimum distance away of twice the depth of the aborted hole or smaller distance if the aborted drill hole is filled with high strength mortar and if under shear or oblique tension load it is not in the direction of load application.</p>
2	Clean bore hole
3	Set anchor
4	Expand anchor with prescribed installation torque $T_{inst}$
5	Finished installation

fischer Bolt anchor FAZ II, FAZ II A4, FAZ II C

**Intended Use**  
Installation parameters

**Annex B 4**

**Table C1:** Characteristic values of **tension** resistance for **standard anchorage depth** under static and quasi-static action (Design method A, according to **ETAG 001, Annex C** or **CEN/TS 1992-4**)

Type of anchor / size			FAZ II, FAZ II A4, FAZ II C					
			M8	M10	M12	M16	M20	M24
<b>Steel failure for standard anchorage depth</b>								
Characteristic resistance	$N_{Rk,s}$	[kN]	16,0	27,0	41,5	66,0	111,0	150,0
Partial safety factor	$\gamma_{Ms}$	<sup>3)</sup>	1,5					
<b>Pullout failure for standard anchorage depth</b>								
Effective anchorage depth	$h_{ef,sta} \geq$	[mm]	45	60	70	85	100	125
Characteristic resistance in cracked concrete C20/25	$N_{Rk,p}$	[kN]	5	9	16	- <sup>1)</sup>		
Characteristic resistance in non-cracked concrete C20/25	$N_{Rk,p}$	[kN]	9	16	25	- <sup>1)</sup>		
Increasing factors for $N_{Rk,p}$ for cracked and non – cracked concrete	$\psi_c$	C25/30	1,10					
		C30/37	1,22					
		C35/45	1,34					
		C40/50	1,41					
		C45/55	1,48					
		C50/60	1,55					
Installation safety factor	$\gamma_2 = \gamma_{inst}$		1,0					
<b>Concrete cone and splitting failure for standard anchorage depth in applications with concrete members of thickness <math>\geq 2x h_{ef}</math></b>								
Effective anchorage depth	$h_{ef}$	[mm]	45	60	70	85	100	125
Factor for non-cracked concrete	$k_{ucr}$	[-]	10,1					
Factor for cracked concrete	$k_{cr}$	[-]	7,2					
Min. thickness of concrete member	$h_{min,1}$	[mm]	100	120	140	170	200	250
Characteristic spacing	$s_{cr,N}$	[mm]	3 $h_{ef}$					
Characteristic edge distance	$c_{cr,N}$	[mm]	1,5 $h_{ef}$					
Spacing (splitting failure) <sup>2)</sup>	$s_{cr,sp}$	[mm]	140	180	210	260	370	430
Edge distance (splitting failure) <sup>2)</sup>	$c_{cr,sp}$	[mm]	70	90	105	130	185	215
<b>Concrete cone and splitting failure for standard anchorage depth in applications with concrete members of thickness <math>&lt; 2x h_{ef}</math></b>								
Effective anchorage depth	$h_{ef}$	[mm]	45	60	70	85	100	125
Factor for non-cracked concrete	$k_{ucr}$	[-]	10,1					
Factor for cracked concrete	$k_{cr}$	[-]	7,2					
Min. thickness of concrete member	$h_{min,2}$	[mm]	80	100	120	140	160	200
Characteristic spacing	$s_{cr,N}$	[mm]	3 $h_{ef}$					
Characteristic edge distance	$c_{cr,N}$	[mm]	1,5 $h_{ef}$					
Spacing (splitting failure) <sup>2)</sup>	$s_{cr,sp}$	[mm]	180	240	280	340	480	550
Edge distance (splitting failure) <sup>2)</sup>	$c_{cr,sp}$	[mm]	90	120	140	170	240	275

<sup>1)</sup> Pullout failure not relevant.

<sup>2)</sup> Intermediate values for  $s_{cr,sp}$  and  $c_{cr,sp}$  between concrete thickness  $h_{min,2}$  and  $h_{min,1}$  by linear interpolation.

<sup>3)</sup> In absence of other national regulations

fischer Bolt anchor FAZ II, FAZ II A4, FAZ II C

**Performances**

Characteristic values of resistance under **tension** loads for **standard anchorage depth** (Design method A, according to **ETAG 001, Annex C** or **CEN/TS 1992-4**)

**Annex C 1**

**Table C2:** Characteristic values of **tension** resistance for **reduced anchorage depth** under static and quasi-static action (Design method A, according to **ETAG 001, Annex C** or **CEN/TS 1992-4:2009**)

Type of anchor / size		FAZ II, FAZ II A4, FAZ II C		
		M10	M12	M16
<b>Steel failure for reduced anchorage depth</b>				
Characteristic resistance	$N_{Rk,s}$ [kN]	27,0	41,5	66,0
Partial safety factor	$\gamma_{Ms}^{2)}$	1,5		
<b>Pullout failure for reduced anchorage depth</b>				
Effective anchorage depth	$h_{ef,red} \geq$ [mm]	40	50	65
Characteristic resistance in cracked concrete C20/25	$N_{Rk,p}$ [kN]	- <sup>1)</sup>		
Characteristic resistance in non - cracked concrete 20/25	$N_{Rk,p}$ [kN]	- <sup>1)</sup>		
Increasing factors for $N_{Rk,p}$ for cracked and non – cracked concrete	$\psi_c$	C25/30	1,10	
		C30/37	1,22	
		C35/45	1,34	
		C40/50	1,41	
		C45/55	1,48	
		C50/60	1,55	
Installation safety factor	$\gamma_2 = \gamma_{inst}$	1,0		
<b>Concrete cone and splitting failure for reduced anchorage depth</b>				
Effective anchorage depth	$h_{ef}$ [mm]	40	50	65
Factor for non-cracked concrete	$k_{ucr}$ [-]	10,1		
Factor for cracked concrete	$k_{cr}$ [-]	7,2		
Min. thickness of concrete member	$h_{min,3}$ [mm]	80	100	140
Characteristic spacing	$s_{cr,N}$ [mm]	3 $h_{ef}$		
Characteristic edge distance	$c_{cr,N}$ [mm]	1,5 $h_{ef}$		
Spacing (splitting failure)	$s_{cr,sp}$ [mm]	160	200	260
Edge distance (splitting failure)	$c_{cr,sp}$ [mm]	80	100	130

<sup>1)</sup> Pullout failure not relevant.

<sup>2)</sup> In absence of other national regulations

fischer Bolt anchor FAZ II, FAZ II A4, FAZ II C

**Performances**

Characteristic values of resistance under **tension** for **reduced anchorage depth** (Design method A, according to **ETAG 001, Annex C** or **CEN/TS 1992-4:2009**)

**Annex C 2**

**Table C3:** Characteristic values of **shear** resistance for **standard and reduced anchorage depth** under static and quasi-static action (Design method A, according to **ETAG 001, Annex C** or **CEN/TS 1992-4:2009**))

Type of anchor / size	FAZ II, FAZ II A4, FAZ II C						
	M8	M10	M12	M16	M20	M24	
<b>Steel failure without lever arm for standard and reduced anchorage depth</b>							
Characteristic resistance	$V_{Rk,s}$ [kN]	12,0	20,0	29,5	55,0	70,0	86,0
Partial safety factor	$\gamma_{Ms}^{1)}$	1,25					
Factor for ductility	$k_2$ [-]	1,0					
<b>Standard anchorage depth</b>							
<b>Steel failure with lever arm</b>							
Characteristic bending resistance	$M_{Rk,s}^0$ [Nm]	26	52	92	233	487	769
Partial safety factor	$\gamma_{Ms}^{1)}$	1,25					
Factor for ductility	$k_2$ [-]	1,0					
<b>Concrete pryout failure</b>							
k-factor	$k_{(3)}$	2,2		2,4	2,8		
<b>Concrete edge failure</b>							
Effective length of anchor in shear loading	$l_f$ [mm]	45	60	70	85	100	125
Effective diameter of anchor	$d_{nom}$ [mm]	8	10	12	16	20	24
Installation safety factor	$\gamma_{2=}$	1,0					
<b>Reduced anchorage depth</b>							
<b>Steel failure with lever arm</b>							
Characteristic bending resistance	$M_{Rk,s}^0$ [Nm]	-	40	89	171	-	-
Partial safety factor	$\gamma_{Ms}^{1)}$	1,25					
Factor for ductility	$k_2$ [-]	1,0					
<b>Concrete pryout failure</b>							
k-factor	$k_{(3)}$	-	2,0	2,3	-	-	
<b>Concrete edge failure</b>							
Effective length of anchor in shear loading	$l_f$ [mm]	-	40	50	65	-	-
Effective diameter of anchor	$d_{nom}$ [mm]	-	10	12	16	-	-

<sup>1)</sup> In absence of other national regulations

fischer Bolt anchor FAZ II, FAZ II A4, FAZ II C

**Performances**  
 Characteristic values of resistance under **shear** loads  
 (Design method A, according to **ETAG 001, Annex C** or **CEN/TS 1992-4:2009**)

**Annex C 3**

**Table C4:** Characteristic values of **tension** resistance under **fire exposure** in cracked and non-cracked concrete for **standard and reduced anchorage depth** (Design according to **TR 020 and ETAG 001, Annex C** or **CEN/TS 1992-4: 2009, Annex D**)

Type of anchor / size <b>FAZ II, FAZ II A4, FAZ II C</b>	<b>R30</b> Fire resistance 30 minutes			<b>R60</b> Fire resistance 60 minutes		
	$N_{Rk,s,fi,30}$ [kN]	$N_{Rk,p,fi,30}$ [kN]	$N^0_{Rk,c,fi,30}$ [kN]	$N_{Rk,s,fi,60}$ [kN]	$N_{Rk,p,fi,60}$ [kN]	$N^0_{Rk,c,fi,60}$ [kN]
<b>Standard anchorage depth</b>						
M8	1,4	1,3	2,4	1,2	1,3	2,4
M10	2,8	2,3	5,0	2,3	2,3	5,0
M12	5,0	4,0	7,4	4,1	4,0	7,4
M16	9,4	7,1	12,0	7,7	7,1	12,0
M20	14,7	9,0	18,0	12,0	9,0	18,0
M24	21,1	12,6	31,4	17,3	12,6	31,4
<b>Reduced anchorage depth</b>						
M10	2,8	2,3	1,8	2,3	2,3	1,8
M12	5,0	3,2	3,2	4,1	3,2	3,2
M16	9,4	4,7	6,1	7,7	4,7	6,1
<b>R90</b> Fire resistance 90 minutes						
	<b>R90</b> Fire resistance 90 minutes			<b>R120</b> Fire resistance 120 minutes		
	$N_{Rk,s,fi,90}$ [kN]	$N_{Rk,p,fi,90}$ [kN]	$N^0_{Rk,c,fi,90}$ [kN]	$N_{Rk,s,fi,120}$ [kN]	$N_{Rk,p,fi,120}$ [kN]	$N^0_{Rk,c,fi,120}$ [kN]
<b>Standard anchorage depth</b>						
M8	0,9	1,3	2,4	0,8	1,0	1,9
M10	1,9	2,3	5,0	1,6	1,8	4,0
M12	3,2	4,0	7,4	2,8	3,2	5,9
M16	6,0	7,1	12,0	5,2	5,6	9,6
M20	9,4	9,0	18,0	8,1	7,2	14,4
M24	13,5	12,6	31,4	11,6	10,1	25,1
<b>Reduced anchorage depth</b>						
M10	1,9	2,3	1,8	1,6	1,8	1,4
M12	3,2	3,2	3,2	2,8	2,5	2,5
M16	6,0	4,7	6,1	5,2	3,8	4,9

In absence of other national regulations the partial safety factor for resistance under fire exposure  $\gamma_{M,fi} = 1,0$  is recommended.

fischer Bolt anchor FAZ II, FAZ II A4, FAZ II C

**Annex C 4**

**Performances:**

Characteristic values of resistance under **tension** loads and  
(Design according to **TR 020 and ETAG 001, Annex C** or **CEN/TS 1992-4: 2009, Annex D**)

**Table C5:** Characteristic values of **shear** resistance under **fire exposure** in cracked and non-cracked concrete for **standard and reduced anchorage depth** (Design according to **TR 020 and ETAG 001, Annex C** or **CEN/TS 1992-4:2009, Anhang D**)

Type of anchor / size <b>FAZ II, FAZ II A4, FAZ II C</b>	<b>R30</b> Fire resistance 30 minutes			<b>R60</b> Fire resistance 60 minutes		
	$V_{Rk,s,fi,30}$ [kN]	$M_{Rk,s,fi,30}^0$ [Nm]	k	$V_{Rk,s,fi,60}$ [kN]	$M_{Rk,s,fi,60}^0$ [Nm]	k
<b>Standard anchorage depth</b>						
M8	1,8	1,4	2,2	1,6	1,2	2,2
M10	3,6	3,6	2,2	2,9	3,0	2,2
M12	6,3	7,8	2,4	4,9	6,4	2,4
M16	11,7	19,9	2,8	9,1	16,3	2,8
M20	18,2	39,0	2,8	14,2	31,8	2,8
M24	26,3	67,3	2,8	20,5	55,0	2,8
<b>Reduced anchorage depth</b>						
M10	3,6	3,6	2,0	2,9	3,0	2,0
M12	6,3	7,8	2,3	4,9	6,4	2,3
M16	11,7	20,0	2,3	9,1	16,3	2,3
<b>R90</b> Fire resistance 90 minutes						
	$V_{Rk,s,fi,90}$ [kN]	$M_{Rk,s,fi,90}^0$ [Nm]	k	<b>R120</b> Fire resistance 120 minutes		
	$V_{Rk,s,fi,120}$ [kN]	$M_{Rk,s,fi,120}^0$ [Nm]	k			
<b>Standard anchorage depth</b>						
M8	1,3	1,0	2,2	1,2	0,8	2,2
M10	2,2	2,4	2,2	1,9	2,1	2,2
M12	3,5	5,0	2,4	2,8	4,3	2,4
M16	6,6	12,6	2,8	5,3	11,0	2,8
M20	10,3	24,6	2,8	8,3	21,4	2,8
M24	14,8	42,6	2,8	11,9	37,0	2,8
<b>Reduced anchorage depth</b>						
M10	2,2	2,4	2,0	1,9	2,1	2,0
M12	3,5	5,0	2,3	2,8	4,3	2,3
M16	6,6	12,6	2,3	5,3	11,0	2,3

**Concrete pryout failure:** In Equation (5.6) of ETAG 001, Annex C, 5.2.3.3 the k-factor of Table 8 and the relevant values of  $N_{0Rk,c,fi}$  of Table 10 have to be considered.

**Concrete edge failure:** The characteristic resistance  $V_{Rk,c,fi}^0$  in concrete C20/25 to C50/60 is determined by:  $V_{Rk,c,fi}^0 = 0,25 \times V_{Rk,c}^0$  (R30, R60, R90),  $V_{Rk,c,fi}^0 = 0,20 \times V_{Rk,c}^0$  (R120) with  $V_{Rk,c}^0$  as initial value of the characteristic resistance in cracked concrete C20/25 under normal temperature according to ETAG 001, Annex C, 5.2.3.4.

In absence of other national regulations the partial safety factor for resistance under fire exposure  $\gamma_{M,fi} = 1,0$  is recommended.

fischer Bolt anchor FAZ II, FAZ II A4, FAZ II C

**Performances:**

Characteristic values of resistance under **shear** loads and **fire exposure**  
(Design according to **TR 020 and ETAG 001, Annex C** or **CEN/TS 1992-4:2009, Annex D**)

**Annex C 5**



**Table C6:** Valid anchor sizes for seismic design, **performance category C1, standard and reduced anchorage depth**

Type of anchor / size		FAZ II, FAZ II A4, FAZ II C					
		M8	M10	M12	M16	M20	M24
<b>Standard effective anchorage depth</b>	$h_{ef,sta} \geq$ [mm]	45	60	70	85	100	125
Thickness of fixture	$t_{fix,min} =$ [mm]	0	0	0	0	0	0
	$t_{fix,max} =$ [mm]	100	100	120	160	250	300
Length of anchor	$L_{min} =$ [mm]	64,5	84,5	99	122	141	174
	$L_{max} =$ [mm]	167	186	221	284,5	394	477
<b>Reduced effective anchorage depth</b>	$h_{ef,red} \geq$ [mm]	-	40	50	65	-	-
Thickness of fixture	$t_{fix,min} =$ [mm]	-	0	0	0	-	-
	$t_{fix,max} =$ [mm]	-	120	140	180	-	-
Length of anchor	$L_{min} =$ [mm]	-	64,5	79	102	-	-
	$L_{max} =$ [mm]	-	186	221	284,5	-	-

**Table C7:** Valid anchor sizes for seismic design, **performance category C2, standard and reduced anchorage depth**

Type of anchor / size		FAZ II, FAZ II A4, FAZ II C <sup>1)</sup>					
		M8	M10	M12	M16	M20	M24
<b>Standard effective anchorage depth</b>	$h_{ef,sta} \geq$ [mm]	-	60	70	85	100	-
Thickness of fixture	$t_{fix,min} =$ [mm]	-	0	0	0	0	-
	$t_{fix,max} =$ [mm]	-	100	120	160	250	-
Length of anchor	$L_{min} =$ [mm]	-	84,5	99	122	141	-
	$L_{max} =$ [mm]	-	186	221	284,5	394	-
<b>Reduced effective anchorage depth</b>	$h_{ef,red} \geq$ [mm]	-	40	50	65	-	-
Thickness of fixture	$t_{fix,min} =$ [mm]	-	0	0	0	-	-
	$t_{fix,max} =$ [mm]	-	120	140	180	-	-
Length of anchor	$L_{min} =$ [mm]	-	64,5	79	102	-	-
	$L_{max} =$ [mm]	-	186	221	284,5	-	-

<sup>1)</sup> FAZ II C: Only valid for cold-formed version (see A1)

fischer Bolt anchor FAZ II, FAZ II A4, FAZ II C

**Performances:**  
Valid sizes in cracked concrete for seismic design

**Annex C 6**

**Table C8:** Characteristic values of **tension and shear** resistance for **standard- and reduced anchorage depth** under **seismic action**  
(Design according to **TR 045: Performance category C1**)

Type of anchor / size	FAZ II, FAZ II A4, FAZ II C					
	M8	M10	M12	M16	M20	M24
<b>Steel failure for standard anchorage depth</b>						
Characteristic resistance tension load C1 $\frac{h_{ef,sta}}{h_{ef,red.}} N_{Rk,s,C1}^0$ [kN]	16,0	27,0	41,0	66,0	111,0	150,0
	-				-	-
Partial safety factor $\gamma_{Ms,C1}^{1)}$ [-]	1,5					
<b>Pullout failure for standard anchorage depth</b>						
Characteristic resistance tension load in cracked concrete C1 $\frac{h_{ef,sta}}{h_{ef,red.}} N_{Rk,p,C1}$ [kN]	4,6	8,0	16,0	28,2	36,0	50,3
	-				-	-
Installation safety factor $\gamma_{2,C1}$ [-]	1,0					
<b>Steel failure without lever arm for standard anchorage depth</b>						
Characteristic resistance shear load C1 $\frac{h_{ef,sta}}{h_{ef,red.}} V_{Rk,s,C1}^0$ [kN]	11	17	27	47	56	69
	-				-	-
Partial safety factor $\gamma_{Ms,C1}^{1)}$ [-]	1,25					

**Table C9:** Characteristic values of **tension and shear** resistance for **standard- and reduced anchorage depth** under **seismic action**  
(Design according to **TR 045: Performance category C2**)

Type of anchor / size	FAZ II, FAZ II A4, FAZ II C <sup>2)</sup>					
	M8	M10	M12	M16	M20	M24
<b>Steel failure for standard anchorage depth</b>						
Characteristic resistance tension load C2 $\frac{h_{ef,sta}}{h_{ef,red.}} N_{Rk,s,C2}^0$ [kN]	-	27	41	66	111	-
	-				-	-
Partial safety factor $\gamma_{Ms,C2}^{1)}$ [-]	1,5					
<b>Pullout failure for standard anchorage depth</b>						
Characteristic resistance tension load in cracked concrete C2 $\frac{h_{ef,sta}}{h_{ef,red.}} N_{Rk,p,C2}$ [kN]	-	5,1	7,4	21,5	30,7	-
	-	2,7	4,4	16,4	-	
Installation safety factor $\gamma_{2,C2}$ [-]	1,0					
<b>Steel failure without lever arm for standard anchorage depth</b>						
Characteristic resistance shear load C2 $\frac{h_{ef,sta}}{h_{ef,red.}} V_{Rk,s,C2}^0$ [kN]	-	10,0	17,4	27,5	39,9	-
	-	7,0	12,7	22,0	-	
Partial safety factor $\gamma_{Ms,C2}^{1)}$ [-]	1,25					

<sup>1)</sup> In absence of other national regulations

<sup>2)</sup> FAZ II C: Only valid for cold-formed version (see A1)

fischer Bolt anchor FAZ II, FAZ II A4, FAZ II C

**Performances:**  
Characteristic values of resistance under **tension and shear** loads **under seismic action**

**Annex C 7**

**Table C10:** Displacements due to tension loads for **standard and reduced anchorage depth**  
(Design method A, according to **ETAG 001, Annex C** or **CEN/TS 1992-4:2009**)

Type of anchor / size			FAZ II, FAZ II A4, FAZ II C					
			M8	M10	M12	M16	M20	M24
<b>Values for standard anchorage depth</b>								
Tension load in cracked concrete	N	[kN]	2,3	4,2	7,5	13,2	16,4	22,9
Displacement	$\delta_{N0}$	[mm]	0,5	0,5	0,7	1,0	1,2	1,2
	$\delta_{N\infty}$	[mm]	1,2				1,4	1,5
Tension load in non - cracked concrete	N	[kN]	4,2	7,5	11,7	18,7	23,3	32,5
Displacement	$\delta_{N0}$	[mm]	0,3	0,3	0,5	0,7	1,2	1,2
	$\delta_{N\infty}$	[mm]	1,2				1,4	1,5
<b>Values for reduced anchorage depth</b>								
Tension load in cracked concrete	N	[kN]	-	4,2	6,0	9,0	-	-
Displacement	$\delta_{N0}$	[mm]	-	0,5	0,7	1,0	-	-
	$\delta_{N\infty}$	[mm]	1,2				-	-
Tension load in non - cracked concrete	N	[kN]	-	5,7	8,5	12,6	-	-
Displacement	$\delta_{N0}$	[mm]	-	0,3	0,5	0,7	-	-
	$\delta_{N\infty}$	[mm]	1,2				-	-

**Table C11:** Displacements due to shear loads for **standard and reduced anchorage depth**  
(Design method A, according to **ETAG 001, Annex C** or **CEN/TS 1992-4:2009**)

Type of anchor / size			FAZ II, FAZ II A4, FAZ II C					
			M8	M10	M12	M16	M20	M24
Shear load in cracked and non-cracked concrete	V	[kN]	6,9	11,4	16,9	31,4	39,4	48,5
Displacement	$\delta_{V0}$	[mm]	2,4	4,2	4,5	3,0	3,6	3,6
	$\delta_{V\infty}$	[mm]	3,6	6,3	6,8	4,5	5,4	5,4

fischer Bolt anchor FAZ II, FAZ II A4, FAZ II C

**Performances:**  
Displacements under **tension and shear** loads under seismic action

**Annex C 8**

**Table C12:** Displacements due to tension loads for **standard and reduced anchorage depth**  
(Design according to **TR 045: Performance category C2**)

Type of anchor / size	FAZ II, FAZ II A4, FAZ II C						
	M8	M10	M12	M16	M20	M24	
<b>Values for standard anchorage depth</b>							
Displacement DLS	$\delta_{N,C2 (DLS)}$ [mm]	-	2,7	4,4	4,4	5,6	-
Displacement ULS	$\delta_{N,C2 (ULS)}$ [mm]	-	11,5	13,0	12,3	14,4	-
<b>Values for reduced anchorage depth</b>							
Displacement DLS	$\delta_{N,C2 (DLS)}$ [mm]	-	2,7	4,4	4,4	-	-
Displacement ULS	$\delta_{N,C2 (ULS)}$ [mm]	-	11,5	13,0	12,3	-	-

**Table C13:** Displacements due to shear loads for **standard and reduced anchorage depth**  
(Design according to **TR 045: Performance category C2**)

Type of anchor / size	FAZ II, FAZ II A4, FAZ II C						
	M8	M10	M12	M16	M20	M24	
<b>Values for standard anchorage depth</b>							
Displacement DLS	$\delta_{V,C2 (DLS)}$ [mm]	-	4,1	4,4	4,3	4,8	-
Displacement ULS	$\delta_{V,C2 (ULS)}$ [mm]	-	6,2	7,8	8,1	11,2	-
<b>Values for reduced anchorage depth</b>							
Displacement DLS	$\delta_{V,C2 (DLS)}$ [mm]	-	3,6	4,7	5,5	-	-
Displacement ULS	$\delta_{V,C2 (ULS)}$ [mm]	-	5,0	7,5	10,1	-	-

fischer Bolt anchor FAZ II, FAZ II A4, FAZ II C

**Performances:**  
Displacements under **tension and shear** loads **under seismic action**

**Annex C 9**