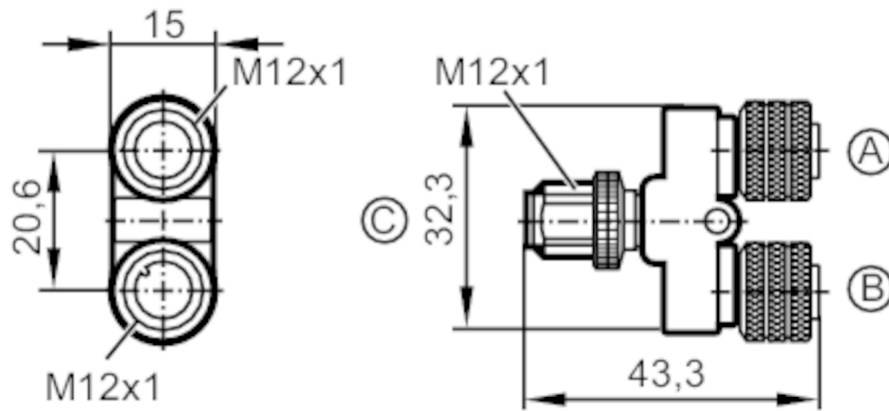


# E12489



## Y-splitter

ZDO2H040MSS0000-00STGH040MSS



Application		
Special feature		Free from silicone; Gold-plated contacts
Free from silicone		yes
Electrical data		
Operating voltage	[V]	< 60 AC/DC
Max. current load per module/slot	[A]	12
Max. current load total	[A]	12; (...40 °C)
Operating conditions		
Ambient temperature	[°C]	-25...70
Protection		IP 67
Mechanical data		
Weight	[g]	24.6
Materials		TPU
Material nut		diecast zinc / diecast zinc
Connector type		M12
Remarks		
Pack quantity		1 pcs.

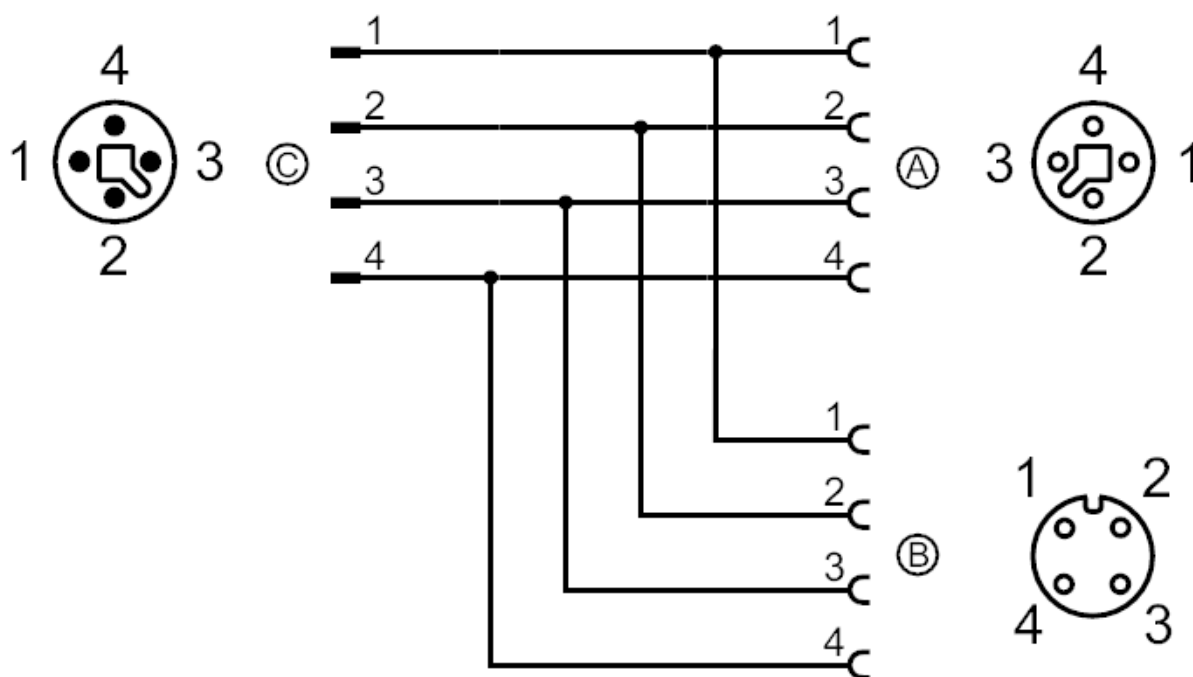


## Y-splitter

ZDO2H040MSS0000-00STGH040MSS

### Electrical connection

#### Connection



### Electrical connection - plug

Connector: 1 x M12; Moulded body: TPU; Locking: diecast zinc; Contacts: gold-plated

### Electrical connection - socket

Connector: 2 x M12; Moulded body: TPU; Locking: diecast zinc; Contacts: gold-plated