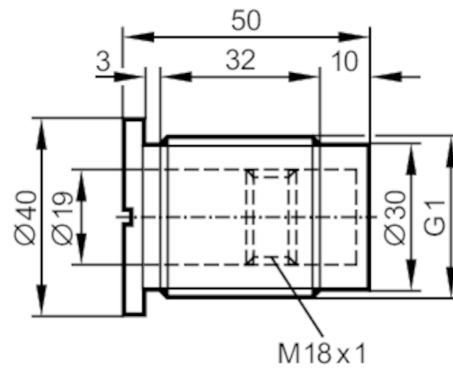


# E43905



## Mounting adapter for capacitive sensors

MOUNTING CAP G1",PVDF



Application	
Pressure rating	[bar] 8
Operating conditions	
Ambient temperature	[°C] -25...110
Mechanical data	
Weight	[g] 50.2
Materials	Adapter: PVDF
Tightening torque	[Nm] 5
Sensor connection	threaded connection M18 x 1 internal thread
Process connection	threaded connection G 1 external thread
Length	[mm] 50
Remarks	
Pack quantity	1 pcs.