

MASI ASI POWER SUPPLY 1-PHASE,

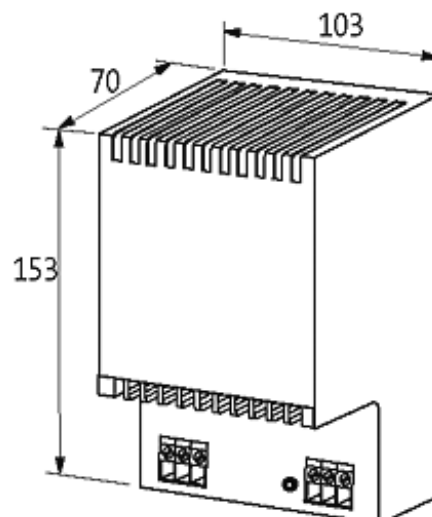
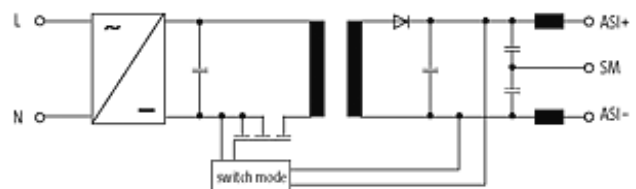
IN: 230VAC OUT: 30,5V/2,8ADC

INPUT: 230 V AC

Current: 2.8 A

[Link to Product](#)

Illustration



Product may differ from image

Product may differ from image

Approvals



Input

Input voltage	230 V AC
Input current	0.8 A
Inrush current after 1 ms	max. 20 A
Primary fusing external	max. 10 A (T)
Frequency	50...60 Hz

General data

Standards	(EN 60950-1), (EN 61204-3), (EN 55022 B)
Protection	IP20
Mounting method	DIN-rail mountable TH35 (EN 60715)
Efficiency	85 %
AS-Interface	Unit complies to AS-Interface specification for power supplies (PELV)
Temperature range	-10...+60 °C

Output

Output voltage	30.5 V DC (SELV), ± 3 %
Output current	max. 2.8 A
Output rating	85.4 W
Mains failure bridging time	min. 30 ms (230 V AC)
Ripple	max. 50 mV p-p
Unit protection	short-circuit and overload protected
LED display	LED (green) for output voltage
Output filter	Filter acc. to AS-Interface specification

Commercial data

country of origin	CZ
customs tariff number	85044090
minimum order quantity	1