

Slides DZ / DB 2132, Width 12.7 mm, to 50 kg, 3/4 Extension

Material:

Slide elements: Cold-rolled steel, zinc-plated.
Ball retainers: Cold-rolled steel, zinc-plated.
Balls: Hardened steel.

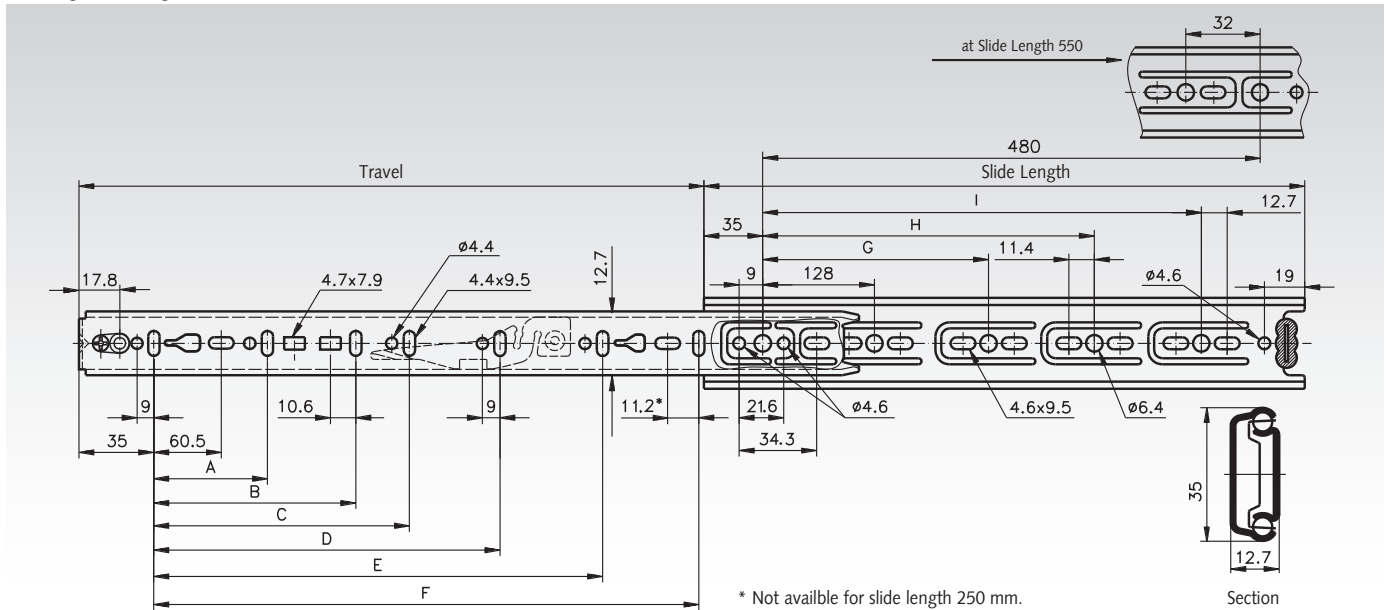
Telescopic ball bearing slides for applications in the industrial and electronics sector.

- Fast disconnection.
- Hold-in in closed position.
- Optional clip-on bracket (page 630).
- Version zinc-plated, either bright or black.
- Cam drawer adjust (3.1 mm).
- Service life 10,000 / 80,000 cycles.
- Temperature range: -20°C to +70°C.

Ordering details: e.g.: Prod. No. 649 010 25, Slides DZ 2132



Accuride



Product No. per Pair DZ - bright	Product No. per Pair DB - black	Slide Length mm	Travel +/-3.2 mm	A mm	B mm	C mm	D mm	E mm	F mm	G mm	H mm	I mm	Load rating ¹⁾ per Pair kg	Weight per Pair kg
649 010 25	649 110 25	250	163	96	-	-	-	-	192	-	-	-	50 / 35	0,45
649 010 30	649 110 30	300	205	96	-	-	-	-	242	224	-	-	50 / 35	0,52
649 010 35	649 110 35	350	260	128	-	-	-	-	292	224	-	-	50 / 35	0,64
649 010 40	649 110 40	400	281	128	-	-	-	-	342	224	-	320	50 / 35	0,71
649 010 45	649 110 45	450	331	128	224	-	-	-	392	224	-	352	48 / 35	0,78
649 010 50	649 110 50	500	376	128	224	-	-	-	442	224	-	416	45 / 34	0,80
649 010 55	649 110 55	550	415	128	224	320	-	-	492	224	352	-	42 / 32	0,98
649 010 60	649 110 60	600	451	128	224	320	-	-	542	224	352	480	40 / 32	1,05
649 010 65	649 110 65	650	488	128	224	320	416	544	592	224	352	544	37 / 31	1,17
649 010 70	649 110 70	700	526	128	224	288	416	-	642	224	352	544	35 / 30	1,26

¹⁾ At 10,000 / 80,000 cycles.

Note

Recommended mounts: M4 screw.
Use all mounting positions to achieve the max. load rating.

Optional Clip-On Brackets see page 630.

