

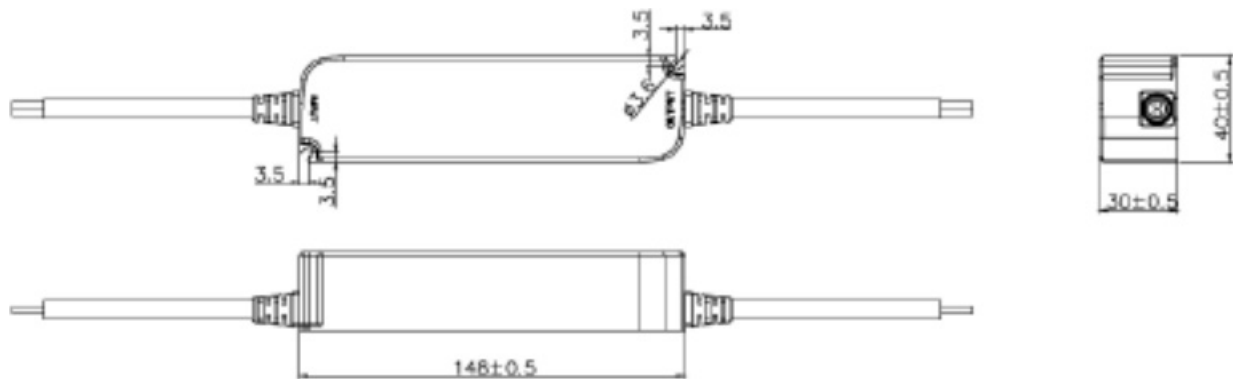
**RoHS
Compliant**

Features

- Fully approved to all lighting specifications
- Output constant voltage
- High efficiency up to 86%
- Built in Active PFC function
- ErP Compliant
- Protections: Short circuit / over loading/over temperature / over Voltage
- Cooling by free air convection
- IP67 design for outdoor installation
- Input Surge Protection: 2KV line-line
- Low noise and Ripple
- 5 years warranty, High efficiency for longer life

Output Specifications		
Models	MP011863	MP011864
Output Voltage	12V	24V
Voltage Tolerance	±5%	
Output Current	3.34A	1.67A
Rated Power	40W	
Input Specifications		
Input Voltage	220V AC to 240V AC	
Frequency Range	47Hz to 63Hz	
Full Load Efficiency (Typ.)	86%	
Power Factor Correction	>0.95, Full Load 230V/50Hz	
Input Current	0.25A Max	
Inrush Current	0.16A @ Full Load, 230V AC	
Inrush Current (T50% value)	50A, Inrush current width 380µs	
No Load Power Consumption	≤0.5W	
Protection		
Over Load	Min: 110% Max: 150% Hiccup Auto Recovery	
Short Circuit	Hiccup Auto Recovery	
Over Temperature	Protection type: Auto Restore	
Environment		
Working Temperature	20°C to +75°C/ TC Mac- 75°C	
Working Humidity	20% to 90% RH, non-condensing	
Life Time	>30,000h @ 40°C	
Storage Temperature	-20 to +85°C	

Safety & EMC	
Safety standards	EN61347-1, EN61347-2-13
EMI	EEN 55015, EN 61000-3-2, EN 61000-3-3
EMS	EN61000-4-2,3,4,5,6,8,11, EN 61547
Other Specifications	
Size	148mm × 42mm × 33mm
Packing	355mm × 320mm × 275mm (20PCS)
Weight	0.28Kg
Mechanical Specifications	



Dimensions : Millimetres

Part Number Table

Description	Part Number
Constant Voltage LED Driver, 12V, IP67	MP011863
Constant Voltage LED Driver, 24V, IP67	MP011864

Important Notice : This data sheet and its contents (the "Information") belong to the members of the AVNET group of companies (the "Group") or are licensed to it. No licence is granted for the use of it other than for information purposes in connection with the products to which it relates. No licence of any intellectual property rights is granted. The Information is subject to change without notice and replaces all data sheets previously supplied. The Information supplied is believed to be accurate but the Group assumes no responsibility for its accuracy or completeness, any error in or omission from it or for any use made of it. Users of this data sheet should check for themselves the Information and the suitability of the products for their purpose and not make any assumptions based on information included or omitted. Liability for loss or damage resulting from any reliance on the Information or use of it (including liability resulting from negligence or where the Group was aware of the possibility of such loss or damage arising) is excluded. This will not operate to limit or restrict the Group's liability for death or personal injury resulting from its negligence. Multicomp Pro is the registered trademark of Premier Farnell Limited 2019.

Newark.com/multicomp-pro
 Farnell.com/multicomp-pro
 sg.element14.com/b/multicomp-pro