

XZCE11P124M

adaptor, plastic - tapped hole Pg 11 - for male connector, M12, 4-wire



Main

Accessory / separate part designation	4-wire connector adaptor
Accessory / separate part category	Cabling accessories
Accessory / separate part type	Connector adaptor
Cable composition	4 x 0.34 mm ²
Thread type	Pg 11
Line Rated Current	4 A

Complementary

Cable length	3.94 in (100 mm)
Total number of wires	4
Electrical connection	1 male connector M12 5 straight
Cable connector fixing	Screw-on
Body material	Plastic
Insulation resistance	> 1000000000 Ohm
Maximum resistance across terminals	5000 mOhm
[Ue] rated operational voltage	250 V AC 300 V DC
Net Weight	0.04 lb(US) (0.02 kg)

Environment

IP degree of protection	IP67
Ambient air temperature for operation	-13...176 °F (-25...80 °C)

Ordering and shipping details

Category	22483 - MACHINE CABLES
Discount Schedule	DS3
GTIN	00785901681946
Nbr. of units in pkg.	1
Package weight(Lbs)	0.02 lb(US) (0.01 kg)
Returnability	No
Country of origin	PL

Packing Units

Unit Type of Package 1	PCE
Package 1 Height	0.98 in (2.5 cm)
Package 1 width	3.94 in (10 cm)
Package 1 Length	5.91 in (15 cm)

The information provided in this documentation contains general descriptions and/or technical characteristics of the performance of the products contained herein. This documentation is not intended as a substitute for and is not to be used for determining suitability or reliability of these products for specific user applications. It is the duty of any such user or integrator to perform the appropriate and complete risk analysis, evaluation and testing of the products with respect to the relevant specific application or use thereof. Neither Schneider Electric Industries SAS nor any of its affiliates or subsidiaries shall be responsible or liable for misuse of the information contained herein.

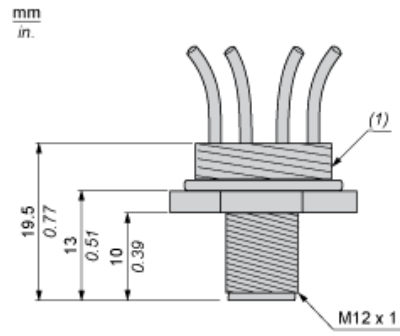
Offer Sustainability

California proposition 65	WARNING: This product can expose you to chemicals including: Diisononyl phthalate (DINP), which is known to the State of California to cause cancer, and Di-isodecyl phthalate (DIDP), which is known to the State of California to cause birth defects or other reproductive harm. For more information go to www.P65Warnings.ca.gov
REACH Regulation	REACH Declaration
EU RoHS Directive	Pro-active compliance (Product out of EU RoHS legal scope) EU RoHS Declaration
Mercury free	Yes
RoHS exemption information	Yes

Contractual warranty

Warranty	18 months
----------	-----------

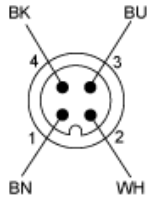
Dimensions



(1) Pg 11 cable gland

Connections and Schemes

Connector



BN : Brown
BK : Black
BU : Blue
WH : White