

NOTES:

1. MATERIALS AND FINISHES:
 BODY, SHELL & WASHER - BRASS, SILVER PLATING
 CONTACT - BRASS, GOLD PLATING
 INSULATOR - PTFE, NATURAL
 GASKET - SILICONE RUBBER, RED
 SPRING - BeCu, NICKEL PLATING
 FERRULE - COPPER, SILVER PLATING
2. ELECTRICAL:
 A. IMPEDANCE: 50 OHM
3. MECHANICAL:
 A. DURABILITY: 500 CYCLES MIN.
 B. TEMPERATURE RANGE: -65° C TO +165° C
4. PACKAGING:
 A. QUANTITY: SINGLE PACK
 B. MARKING: BAG TO BE MARKED
 "AMPHENOL RF, 31-4320, AND DATE CODE"

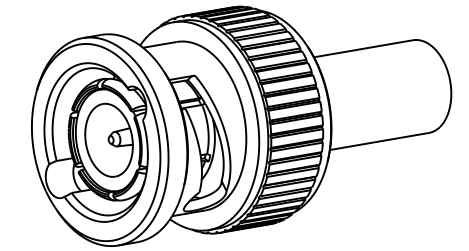
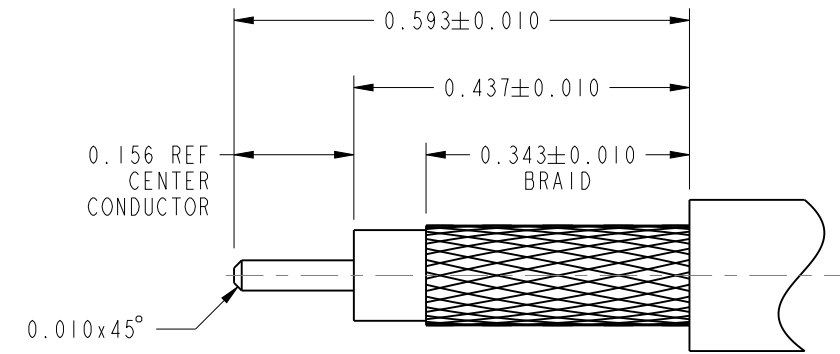
5. CABLE ASSEMBLY INSTRUCTIONS:
 A. TRIM CABLE AS SHOWN.
 B. SLIDE FERRULE ON TO THE CABLE.
 C. INSERT CABLE CENTER CONDUCTOR TO CONTACT.
 D. SOLDER CABLE CENTER CONDUCTOR TO CENTER CONTACT.
 E. WHEN CRIMPING CONTACT TO CABLE, CRIMP WITH AMPHENOL TOOL 227-944 (M22520/5-01) AND DIE SET 227-1221-11, CAVITY 'B' (M22520/5-11, CLOSURE 'B'). (0.068" HEX).
 F. INSERT CABLE INTO CONNECTOR WITH BRAID OVER KNURL UNTIL IT BOTTOMS.
 G. CRIMP WITH AMPHENOL TOOL 227-944 (M22520/5-01) AND DIE SET 227-1221-11, CAVITY 'A' (M22520/5-11, CLOSURE 'A'). (0.213" HEX)

6. HEAT SHRINK TUBING SUPPLIED ON REQUEST ONLY (68180-1).
- 7 SHOWS CABLE ENTRY DIMENSIONS.

THIRD ANGLE PROJ.

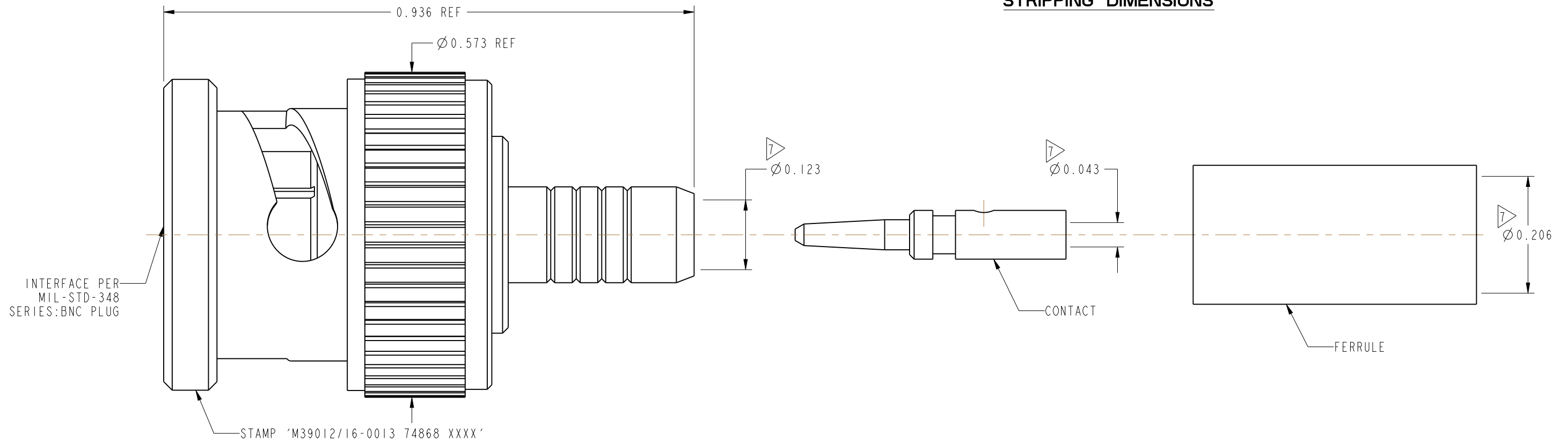
REVISIONS

REV	DESCRIPTION	DATE	ECO	APPR
--	RELEASE TO MFG.	--	--	--
U	REDRAWN IN PROE, COD SHEET ADDED	14-Jan-13	48616	PNE
V	FORMAT UPDATED	09-May-16	00562	MR
W	INSULATOR UPDATED	6/1/16	00883	MR



SCALE 2.000

RECOMMENDED CABLE STRIPPING DIMENSIONS



THIS CONNECTOR IS COVERED BY U.S. PATENT 3,336,563

MIL-C-39012 INSPECTION

CUSTOMER OUTLINE DRAWING

ALL OTHER SHEETS ARE FOR INTERNAL USE ONLY

UNLESS OTHERWISE SPECIFIED, DIMENSIONS ARE IN INCHES AND TOLERANCES ARE: 2 PLACE DECIMAL 3 PLACE DECIMAL ANGLES ±.015 (0,381 mm) ±.005 (0,127 mm) ± 1°	MATERIAL	DRAWN	DATE	TITLE BNC STR PLUG MIL-CRIMP (CATEGORY C) FOR RG 58, 141 & 303 CABLE		Amphenol RF www.amphenolrf.com
	SEE NOTES	PADMANABHAN E	07-Jul-09			
NOTICE - These drawings, specifications, or other data (1) are, and remain the property of Amphenol corp. (2) must be returned upon request; and (3) are confidential and not to be disclosed to any person other than those to whom they are given by Amphenol Corp. the furnishing of these drawings, specifications, or other data by Amphenol Corp., or to any other person to anyone for any purpose is not to be regarded by implication or otherwise in any manner licensing, granting rights to permitting such holder or any other person to manufacture, use or sell any product, process or design, patented or otherwise, that may in any way be related to or disclosed by said drawings, specifications, or other data.	REFERENCE	ENGINEER	DATE	SCALE: 5.5:1.0 SHEET 2 OF 2		DRAWING NO. 31-4320
	MIL-C-39012/16-0013	PADMANABHAN E	07-Jul-09	DWG SIZE B		ITEM NO. 31-4320
	CONFIGURATION LEVEL: In Work	APPROVED	DATE	REV	PART NO. 31-4320	
FINISH	K. CAPOZZI	6/1/16	W			