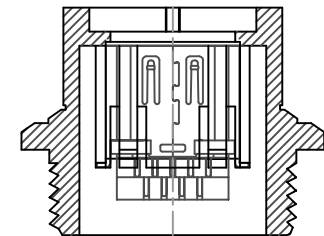
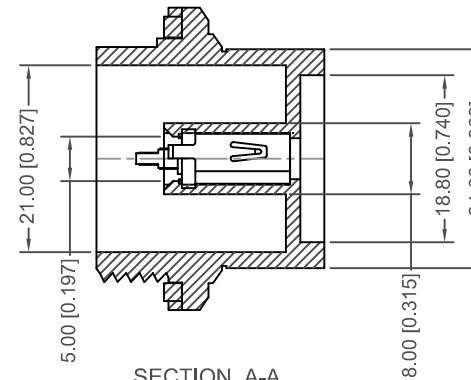
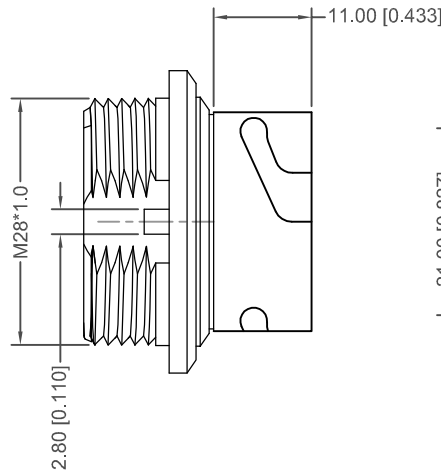
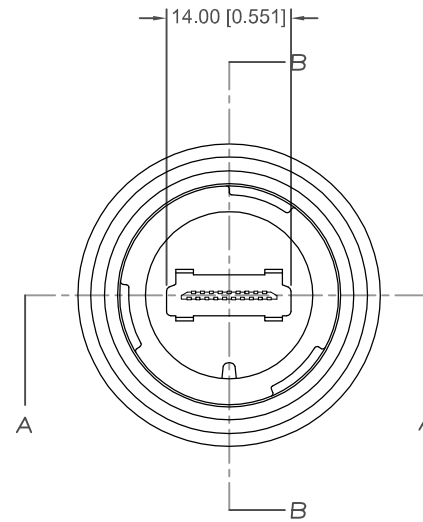
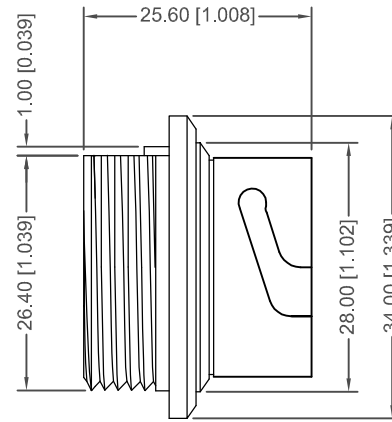
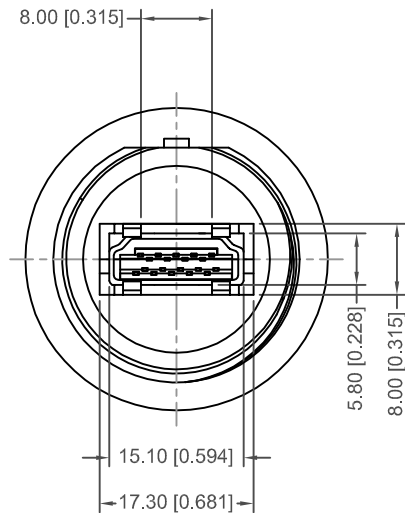


TOLERANCE UNLESS OTHERWISE SPECIFIED IN MM:  
 0.0 ± 0.20 ANGLE x°  
 0.00 ± 0.10  
 0.000 ± 0.05

THIS IS A C.A.D. GENERATED DRAWING  
 DO NOT MAKE MANUAL REVISIONS TO MASTER.



ISSUE NUMBER	
ORIGINAL	①
REMOVE HEX NUT R.STA.MONICA	②
JUNE.18/2014	



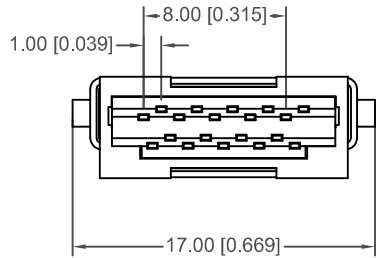
1. MATERIAL :
- 1-1. EXTERNAL HOUSING: PBT UL94V-0 ; COLOR : BLACK
  - 1-2. HOUSING: LCP UL94V-0 ; COLOR : BLACK
  - 1-3. CONTACT: PHOSPHOR BRONZE
  - 1-4. SHELL: BRASS
2. FINISH :
- 2-1. CONTACT : 15 MICRO INCHES MIN. GOLD PLATED  
 SOLDER TAILS: BRIGHT TIN 100u"  
 UNDERPLATED NICKEL OVER ALL 50u" MIN
  - 2-3. SHELL: GOLD FLASH
3. WATER PROOF: IPX7

<b>WATERPROOF HDMI BLACK TYPE A, 180° (FEMALE)</b>		ACAD REFERENCE NO.: 690-W19-260-012	
		DRAWN: R.STA.MONICA	DATE: JAN.09/2014
<b>EDAC INC</b> TORONTO, ONTARIO CANADA YOUR CONNECTION TO QUALITY & SERVICE		CHECKED:	DATE:
		PART NUMBER <b>690-W19-260-012</b>	
THESE DRAWINGS AND SPECIFICATIONS ARE THE PROPERTY OF EDAC INC., AND SHALL NOT BE REPRODUCED, OR COPIED OR USED AS THE BASIS FOR THE MANUFACTURE OR SALE OF APPARATUS WITHOUT WRITTEN PERMISSION.		SHEET 1 OF 2	
		DRAWING NUMBER <b>690-W19-260-012</b>	ISSUE <b>2</b>

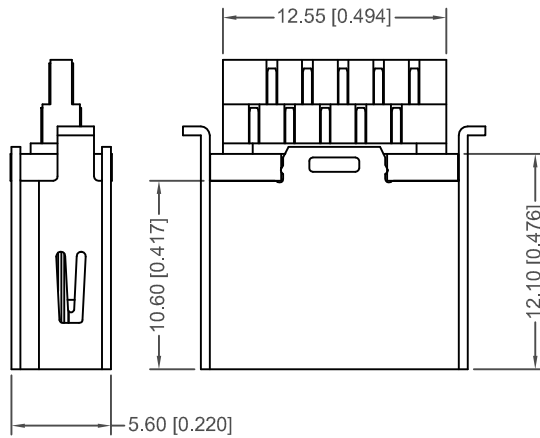
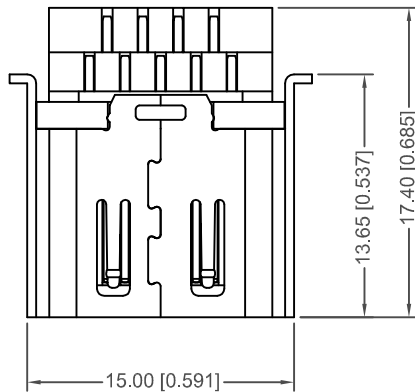
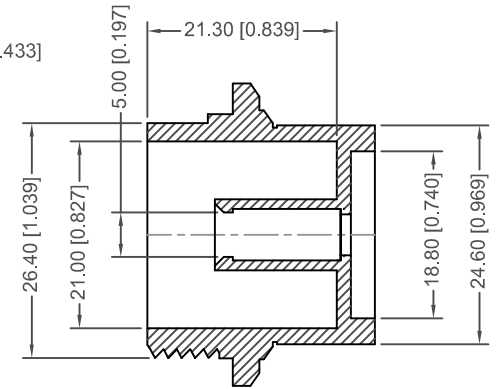
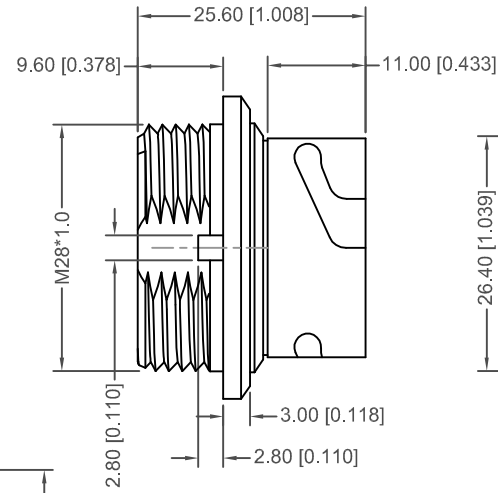


THIS SERIES FULLY CONFORMS TO THE EUROPEAN UNION DIRECTIVES 2002/95/EC AND 2002/96/EC FOR RoHS COMPLIANCY.

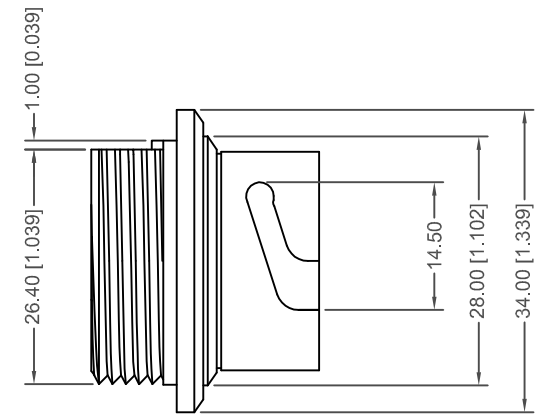
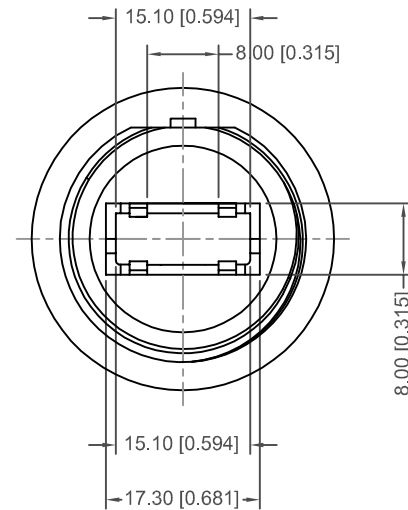
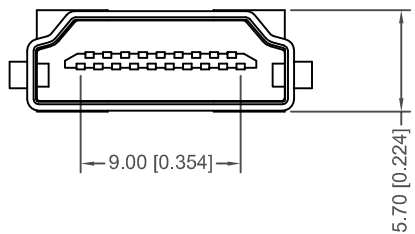
THIS IS A C.A.D. GENERATED DRAWING  
DO NOT MAKE MANUAL REVISIONS TO MASTER.



HDMI CONNECTOR  
SCALE 2:1



EXTERNAL HOUSING



WATERPROOF HDMI BLACK TYPE A, 180°  
(FEMALE)



THIS SERIES FULLY CONFORMS TO THE  
EUROPEAN UNION DIRECTIVES 2002/95/EC  
AND 2002/96/EC FOR RoHS COMPLIANCY.



EDAC INC  
TORONTO, ONTARIO  
CANADA

YOUR CONNECTION TO QUALITY & SERVICE

THESE DRAWINGS AND SPECIFICATIONS  
ARE THE PROPERTY OF EDAC INC., AND  
SHALL NOT BE REPRODUCED, OR COPIED  
OR USED AS THE BASIS FOR THE  
MANUFACTURE OR SALE OF APPARATUS  
WITHOUT WRITTEN PERMISSION.

ACAD REFERENCE NO.: 690-W19-260-012

DRAWN: R.STA.MONICA

DATE: JAN.09/2014

CHECKED:

DATE:

PART NUMBER

690-W19-260-012

SHEET 2 OF 2

DRAWING NUMBER

690-W19-260-012

ISSUE

2