

Wettermenge sowie Vervielfältigung dieser Unterlage, Verwertung und Mitteilung ihres Inhalts nicht gestattet, soweit nicht ausdrücklich zugestanden. Zuwiderhandlungen verpflichten zu Schadenersatz. Alle Rechte vorbehalten, insbesondere für den Fall der Patenterteilung oder GM-Eintragung.

La divulgación y reproducción de este documento así como el aprovechamiento de su contenido, no están autorizados, a no ser que se obtenga el consentimiento expreso para ello. Los infractores quedan obligados a la indemnización por daños y perjuicios. Se reservan todos los derechos, en particular para el caso de concesión de Patente o de Modelo de utilidad.

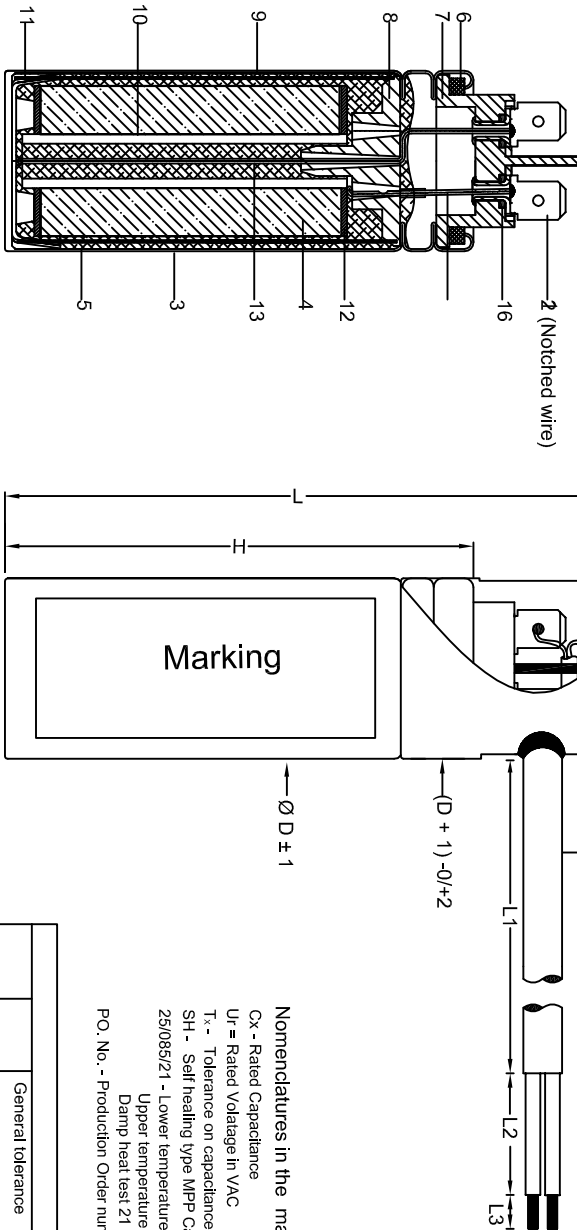
The reproduction, transmission or use of this document or its contents is not permitted without express written authority. Offenders will be liable for damages. All rights, including rights created by patent grant or registration of a utility model or

Table 1
Ratings

Sr. No.	Rating in $\mu\text{F}/\text{VAC}$ $\pm 5\%$	TDK Part No.	Diameter (\varnothing) in mm ± 1	Finished (H) in mm ± 3	Total Height (L) in mm ± 3	Cable length L1 ± 10 in mm	Wire length L2 ± 5 in mm	Stripping L3 ± 2 in mm	Clamp
01	25/450	B32333A6256J060	35	93	115	100	40	10	Yes
02	40/450	B32333A6406J060	40	103	125	100	40	10	No
03	7.5/450	B32333A6705J660	30	68	90	100	40	10	No
04	8.0/450	B32333A6805J060	30	68	90	100	40	10	No
05	10/450	B32333A6106J060	30	68	90	100	40	10	No
06	12/450	B32333A6126J060	30	78	100	100	40	10	No
07	15/450	B32333A6156J060	30	78	100	100	40	10	No
08	16/450	B32333A6166J060	30	78	100	100	40	10	No
09	20/450	B32333A6206J060	30	93	115	100	40	10	No
10	30/450	B32333A6306J060	35	93	115	100	40	10	No
11	35/450	B32333A6356J060	35	103	125	100	40	10	No
12	45/450	B32333A6456J060	40	103	125	100	40	10	No
13	50/450	B32333A6506J060	45	103	125	100	40	10	No

Table 2
List of components

Sr.No.	Part Description
1	Tin plated MS Single fast-on terminals 6.3x0.8 mm
2	Tin plated copper wire
3	Aluminium Can
4	MPP Film Capacitor Element
5	Plastic Film for insulation
6	Rubber Ring
7	Plastic Top -: UL 94 V0
8	Upper Insulation
9	Polyurethane Resin
10	Plastic Core
11	Bottom Insulation
12	Zinc Spray
13	Tin coated copper wire
14	Aluminium Cap
15	UL style 2587, 600VAC / 90°C 2x18AWG Or equivalent and as per capacitor rating
16	Rubber Ring For Lug



Nomenclatures in the marking:

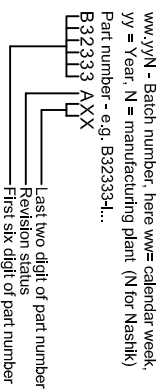
- Cx - Rated Capacitance
- Ur = Rated Voltage In VAC
- Tx - Tolerance on capacitance
- SH - Self healing type MPP Capacitor
- 25/089/21 - Lower temperature limit is -25 °C Upper temperature limit is 85 °C Damp heat test 21 days
- PO. No. - Production Order number



Cx μF
T \pm 5 Ur VAC B
No PCBs
B32333-1XX S2 PROTECTED
10000AFC IEC60252-1 MKP/SH
25/089/21 MADE BY EPCOS



Marking details

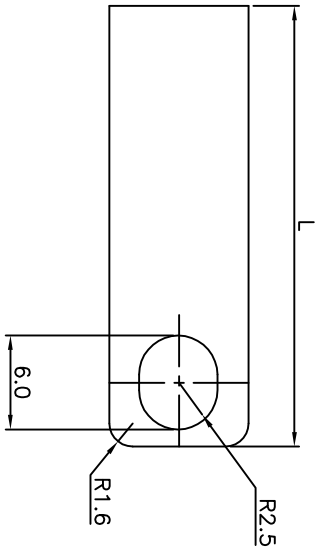
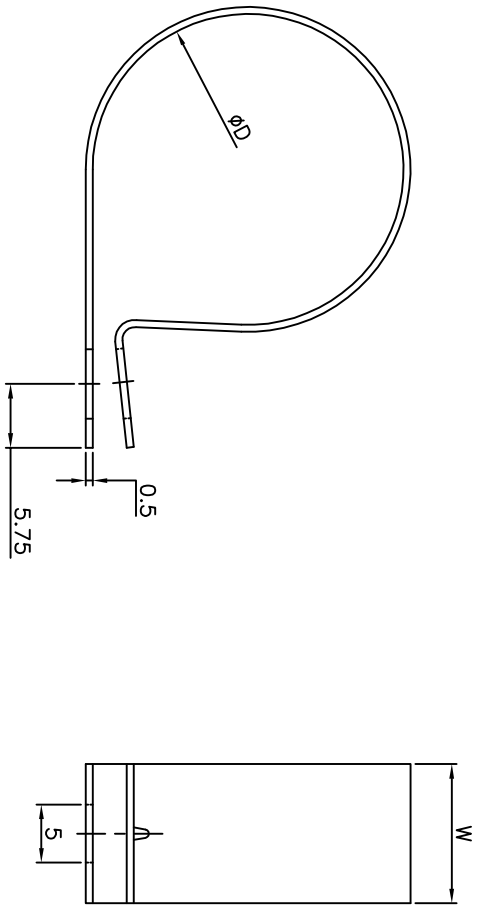


ww, yy, n - Batch number, here ww= calendar week, yy = Year, n = manufacturing plant (N for Nashtk)
Part number - e.g. B32333-1...
B32333 AXX
Last two digit of part number
Revision status
First six digit of part number

ROHS
compatible

General tolerance		Surface quality		Scale: NTS All dimensions are in mm	
6	Customer name & Customer part no. (column removed)	SRD	Date	Material : Refer Table No.2	Customer :
5	ISI marking removed and Mounting (column removed)	PRR	02.04.2014	MPP CAPACITOR SAFE DEVICE	
4	Clamp added for 25 μF	PRR	10.09.21	AL CAN CAPACITOR DFO WITH CAP. CABLE & RECEPCLACE	
3	Mounting Clamp removed as per customer requirements.	BSR	05.07.21		
2	Revised marking specification to name change from EPCOS to TDK	NR	21.01.19		
1	ISI marking added	NR	28.12.18		
Rv	Marking Changed P2 to S2	RD	07.01.16		
	Modification	Name		Drawing no. GA1175-06	Page 1 of 2

Mounting clamp details



-	45.0	15	55
-	30.0	12	42
-	40.0	15	50
-	35.0	12	47
Part No.	Diameter(ØD)	Width(W)±2	Length(L)±3

Material: Steel Zinc Plated(RoHS)

Finish: Trivalent chromium iridescent plating,bluish tinge.

Salt Spray compliance : 96Hrs.

Clamps shall be packed in Polythene bags in each unit carton.

RoHS
compatible

General tolerance		Surface quality		Scale: NTS		All dimensions are in mm	
		Date	02.04.2014	Material :	Refer Table No.2	Customer :	
		Drawn	VGS	MPP CAPACITOR SAFE DEVICE			
		Checked	BSR	AL CAN CAPACITOR DFO WITH CAP. CABLE & RECEPACLE			
		Standard	EN 60292-1	Drawing no. GA1175-06			
				Page 2 of 2			
Riv.	Modification	Date	Name				

TDK