



AMPLIMITE

TE Internal #: 1218408-1

Box Mount D-Sub Connectors, Receptacle, Post Diameter .76 mm [.03 in], Right Angle, Cable-to-Board, 9 Position, 1 D-Sub Shell Size, Socket

[View on TE.com >](#)

Connectors > D-Shaped Connectors > D-Sub Connectors > Box Mount D-Sub Connectors



Connector & Housing Type: **Receptacle**

Post Diameter: **.76 mm [.03 in]**

PCB Mount Orientation: **Right Angle**

Connector System: **Cable-to-Board**

Number of Positions: **9**

Features

Product Type Features

Product Type	Connector
Connector & Housing Type	Receptacle
Connector System	Cable-to-Board
D-Sub Shell Size	1
Sealable	No
Connector & Contact Terminates To	Printed Circuit Board
Blindmate	No

Configuration Features

PCB Mount Orientation	Right Angle
Number of Positions	9
Power/Signal/Coax Combination	No

Body Features

Box Mount D-Sub Connector Insert Arrangement	MS18273-1
Shell Plating Material	Cadmium
Shell Material	Steel
Non-Magnetic	No

Contact Features

Contact Type	Socket
--------------	--------



Contact Mating Area Plating Material	Gold
PCB Contact Termination Area Plating Material	Nickel
Contact Base Material	Brass or Beryllium Copper
D-Sub Contact Size	20
Contact Current Rating (Max)	5 A

Termination Features

Termination Post Length	3.96 mm[.156 in]
-------------------------	------------------

Mechanical Attachment

Mounting Hole Diameter	2.92 – 3.18 mm[.115 – .125 in]
------------------------	--------------------------------

Housing Features

Centerline (Pitch)	2.77 mm[.109 in]
--------------------	------------------

Dimensions

Post Diameter	.76 mm[.03 in]
---------------	----------------

Usage Conditions

Operating Temperature Range	-55 – 125 °C[-67 – 257 °F]
-----------------------------	----------------------------

Operation/Application

ULTRA-LITE Connector	No
Circuit Application	Signal

Industry Standards

NASA Qualification	No
--------------------	----

Packaging Features

Packaging Method	Package
------------------	---------

Other

Comment	For solder dip product see part number 1218408-6.
---------	---

Product Compliance

[For compliance documentation, visit the product page on TE.com>](#)

EU RoHS Directive 2011/65/EU	Not Compliant
EU ELV Directive 2000/53/EC	Not Compliant
China RoHS 2 Directive MIIT Order No 32, 2016	Restricted Materials Above Threshold
EU REACH Regulation (EC) No. 1907/2006	



Current ECHA Candidate List: JAN 2021
 (211)
 Candidate List Declared Against: JAN 2021
 (211)
 SVHC > Threshold:
 Cd (2.9%)
 Pb (3.7%)

Article Safe Usage Statements:
 Use personal protective equipment as required. Do not eat, drink or smoke when using this product. Wash thoroughly after handling. Recycle if possible and dispose of the article by following all applicable governmental regulations relevant to your geographic location.

Halogen Content	Not Yet Reviewed for halogen content
Solder Process Capability	Not lead free process capable

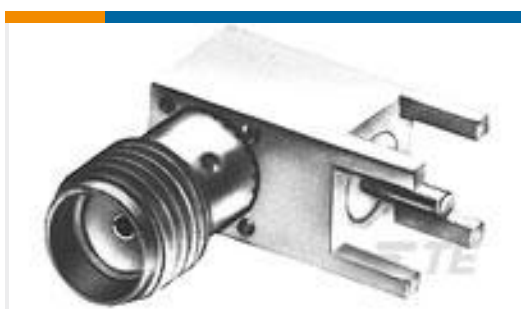
Product Compliance Disclaimer

This information is provided based on reasonable inquiry of our suppliers and represents our current actual knowledge based on the information they provided. This information is subject to change. The part numbers that TE has identified as EU RoHS compliant have a maximum concentration of 0.1% by weight in homogenous materials for lead, hexavalent chromium, mercury, PBB, PBDE, DBP, BBP, DEHP, DIBP, and 0.01% for cadmium, or qualify for an exemption to these limits as defined in the Annexes of Directive 2011/65/EU (RoHS2). Finished electrical and electronic equipment products will be CE marked as required by Directive 2011/65/EU. Components may not be CE marked. Additionally, the part numbers that TE has identified as EU ELV compliant have a maximum concentration of 0.1% by weight in homogenous materials for lead, hexavalent chromium, and mercury, and 0.01% for cadmium, or qualify for an exemption to these limits as defined in the Annexes of Directive 2000/53/EC (ELV). Regarding the REACH Regulation, the information TE provides on SVHC in articles for this part number is based on the latest European Chemicals Agency (ECHA) 'Guidance on requirements for substances in articles' posted at this URL: <https://echa.europa.eu/guidance-documents/guidance-on-reach>

Customers Also Bought



TE Part #767054-1
 MICT,RECPT,38,ASSY,PDNI



TE Part #1053396-1
 2064 8001 90



TE Part #1053372-1
 2062 8001 90,OSM JACK, QPL



TE Part #1218408-2
 AMPLIMITE,ASY,RCPT,RTANG,109,2



TE Part #1045672-1
 1062 0000 00



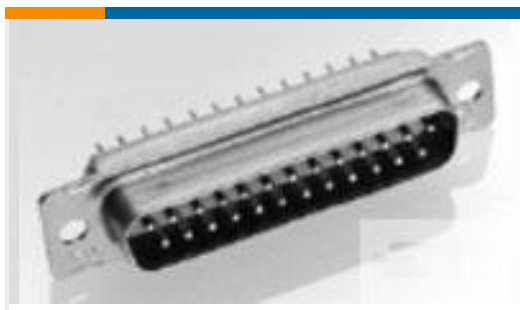
TE Part #1218408-4
 AMPLIMITE,ASY,RCPT,RTANG,109,4



TE Part #1-1625873-0
 RS LR0204 RESISTOR KIT



TE Part #1218408-3
 AMPLIMITE,ASY,RCPT,RTANG,109,3



TE Part #1218125-5
50 POS,ASSY,PLUG,LOW PROF,109



TE Part #1-2176280-1
CPF 0402 124K 0.1% 25PPM 1K RL

Documents

Product Drawings

[AMPLIMITE,ASY,RCPT,RTANG,109,1](#)

English

CAD Files

[3D PDF](#)

3D

Customer View Model

[ENG_CVM_CVM_1218408-1_B.2d_dxf.zip](#)

English

Customer View Model

[ENG_CVM_CVM_1218408-1_B.3d_igs.zip](#)

English

Customer View Model

[ENG_CVM_CVM_1218408-1_B.3d_stp.zip](#)

English

By downloading the CAD file I accept and agree to the [Terms and Conditions](#) of use.

Agency Approvals

[UL Report](#)

English