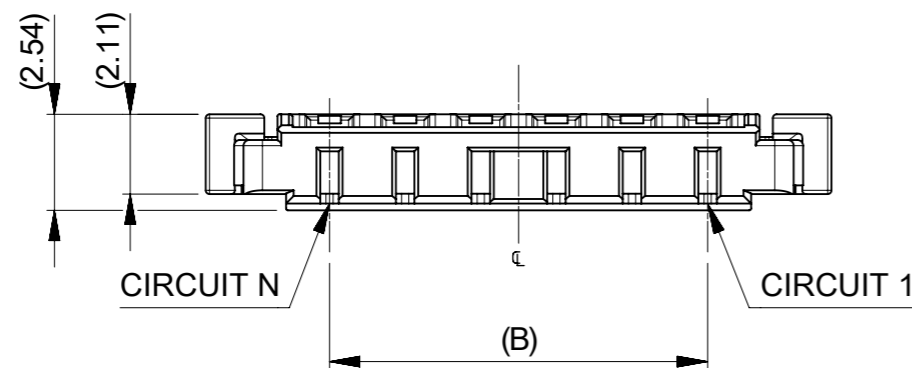
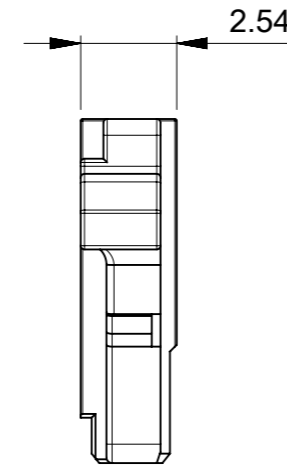
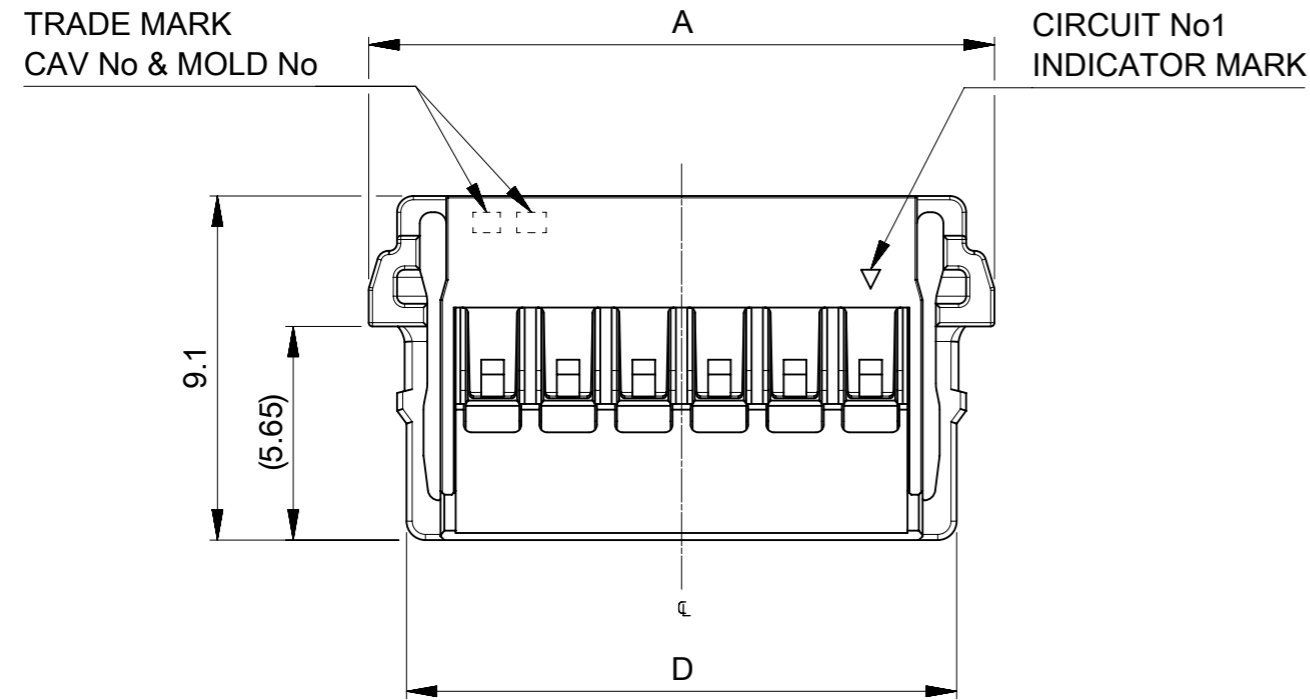


NOTES

- △1 偶数極に適用
APPLY EVEN CIRCUIT PRODUCTS.
- △2 適用製品及び各種仕様書はSHEET 2を参照のこと
REFER TO SHEET 2 ABOUT APPLICABLE PRODUCTS AND VARIOUS SPECIFICATIONS.



| | | | | | |
|----------------------------|-------|----|-------|------------|--------------|
| 14.55 | 15.05 | 10 | 16.55 | 2053410206 | 6 |
| 12.55 | 13.05 | 8 | 14.55 | 2053410205 | 5 |
| 10.55 | 11.05 | 6 | 12.55 | 2053410204 | 4 |
| 8.55 | 9.05 | 4 | 10.55 | 2053410203 | 3 |
| 6.55 | 7.05 | 2 | 8.55 | 2053410202 | 2 |
| D | C | B | A | ORDER NO. | CIRCUIT SIZE |
| 梱包状態：ポリ袋 PACKAGING：POLYBAG | | | | | |

| | | | | | |
|---|---------|---|--|-----------------|--------|
| THIS DRAWING CONTAINS INFORMATION THAT IS PROPRIETARY TO MOLEX ELECTRONIC TECHNOLOGIES, LLC AND SHOULD NOT BE USED WITHOUT WRITTEN PERMISSION | | | | | |
| DIMENSION UNITS | SCALE | CURRENT REV DESC: | | | |
| mm | NTS | molex PICO-LOCK 2.0 REC HSG SINGLE-ROW SMT R/A TYPE PRODUCT CUSTOMER DRAWING DOCUMENT NUMBER: 2053410000-SD DOC TYPE: PSD DOC PART: 000 REVISION: A SHEET NUMBER: 1 OF 2 | | | |
| GENERAL TOLERANCES (UNLESS SPECIFIED) | | | | | |
| ANGULAR TOL | ± 3.0 ° | | | | |
| 4 PLACES | ± 0.2 | | | | |
| 3 PLACES | ± 0.2 | | | | |
| 2 PLACES | ± 0.2 | | | | |
| 1 PLACE | ± 0.2 | INITIAL REVISION: | | MATERIAL NUMBER | |
| 0 PLACES | ± 0.2 | DRWN: QHE31 2019/10/17 | | CUSTOMER | |
| DRAFT WHERE APPLICABLE MUST REMAIN WITHIN DIMENSIONS | | THIRD ANGLE PROJECTION | | DRAWING | SERIES |
| | | | | A3-SIZE | 205341 |

| 部品 PART | 材質 MATERIAL |
|------------------|--|
| ハウジング HOUSING | ポリアミド(PA), UL94V-0, 色 : 黒 POLYAMIDE(PA), UL94V-0, COLOR : BLACK |

△ 2 適用製品及び各種仕様書
 APPLICABLE PRODUCTS AND VARIOUS SPECIFICATIONS

| | | |
|----------------------------------|---------------------------|--|
| 梱包仕様書 PACKAGING SPECIFICATION | PART NUMBER 205341**** | DOCUMENT NUMBER 2053419200-SPK PS 200 |
|----------------------------------|---------------------------|--|

| | | | |
|-----------------------------|--------------|-------------|----------------|
| 適用端子 APPLICABLE TERMINAL | PLATING TYPE | PART NUMBER | WIRE SIZE(AWG) |
| | GOLD | 2053425028 | #20 - #22 |
| | | 2053425128 | #24 - #26 |

| | |
|--|----------------------|
| 適合嵌合相手 MATE WITH | SMT |
| | GOLD PLATING |
| | RIGHT ANGLE |
| ----- 製品番号 PRODUCT NUMBER | 205338**** |
| 製品仕様書 PRODUCT SPECIFICATION | 2053410000-PS PS 000 |
| アプリケーション仕様書 APPLICATION SPECIFICATION | 2053410000-AS PS 000 |

| | | | | | | | | | | |
|---|-------|-----------------------------|--------------------|------------------|--|--|--|--|--|--|
| THIS DRAWING CONTAINS INFORMATION THAT IS PROPRIETARY TO MOLEX ELECTRONIC TECHNOLOGIES, LLC AND SHOULD NOT BE USED WITHOUT WRITTEN PERMISSION | | | | | | | | | | |
| DIMENSION UNITS | SCALE | CURRENT REV DESC: | | | | molex | | | | |
| mm | NTS | | | | | PICO-LOCK 2.0 REC HSG SINGLE-ROW SMT R/A TYPE | | | | |
| GENERAL TOLERANCES (UNLESS SPECIFIED) | | EC NO: 632449 | | | | PRODUCT CUSTOMER DRAWING | | | | |
| ANGULAR TOL ± 3.0 ° | | DRWN: QHE31 2019/10/17 | | | | | | | | |
| 4 PLACES ± 0.2 | | CHK'D: SAKIYAMA 2020/02/19 | | | | DOCUMENT NUMBER: 2053410000-SD DOC TYPE: PSD DOC PART: 000 REVISION: A | | | | |
| 3 PLACES ± 0.2 | | APPR: KOMURAKAMI 2020/02/19 | | | | | | | | |
| 2 PLACES ± 0.2 | | INITIAL REVISION: | | | | MATERIAL NUMBER: 205341 CUSTOMER: GENERAL SHEET NUMBER: 2 OF 2 | | | | |
| 1 PLACE ± 0.2 | | DRWN: QHE31 2019/10/17 | | | | | | | | |
| 0 PLACES ± 0.2 | | APPR: KOMURAKAMI 2020/02/19 | | | | | | | | |
| DRAFT WHERE APPLICABLE MUST REMAIN WITHIN DIMENSIONS | | THIRD ANGLE PROJECTION | DRAWING A3-SIZE | SERIES 205341 | | | | | | |