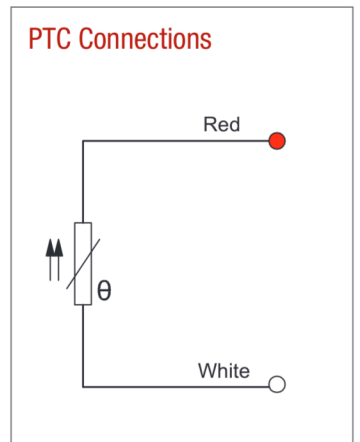
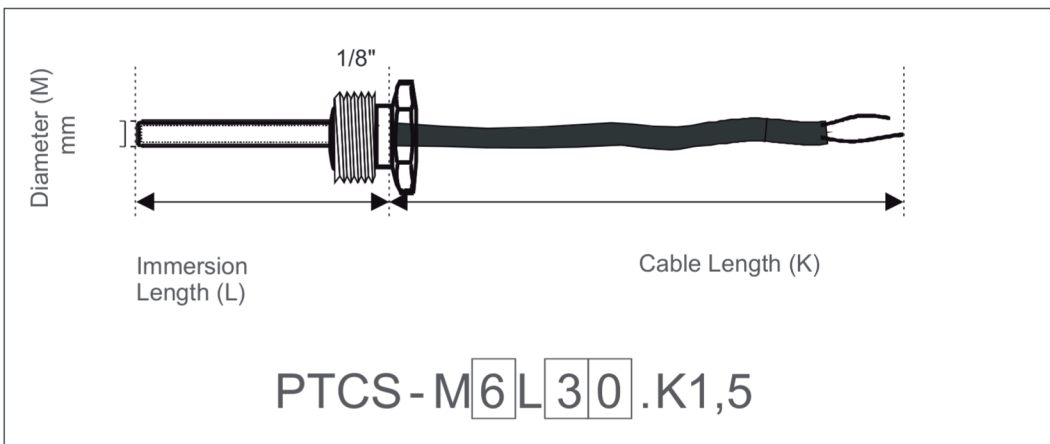


► (PTCS) Bayonet Bore Type
PTCS-M6L30-K1.5



- Max. operating temperature : -50 °C / +130 °C
- Standard cable types : Silicone + Silicone
- Sensor type : PTC-1K
- Protection tube material : Nickel coated brass
- Fittignut : Standard 1/8"

► Technical drawing



- Diameter (M) : 6 mm
- Immersion Length (L) : 30 mm
- Cable length (K) : 1,5 meter