

Plastic enclosure

64 x 44 x 32 mm black ABS



FEATURES:

Guide slots for 1.6 mm thick boards

PCB mounting: Horizontal and vertical

SPECIFICATION:

Dimensions L x W x H 64 x 44 x 32 mm

Colour black

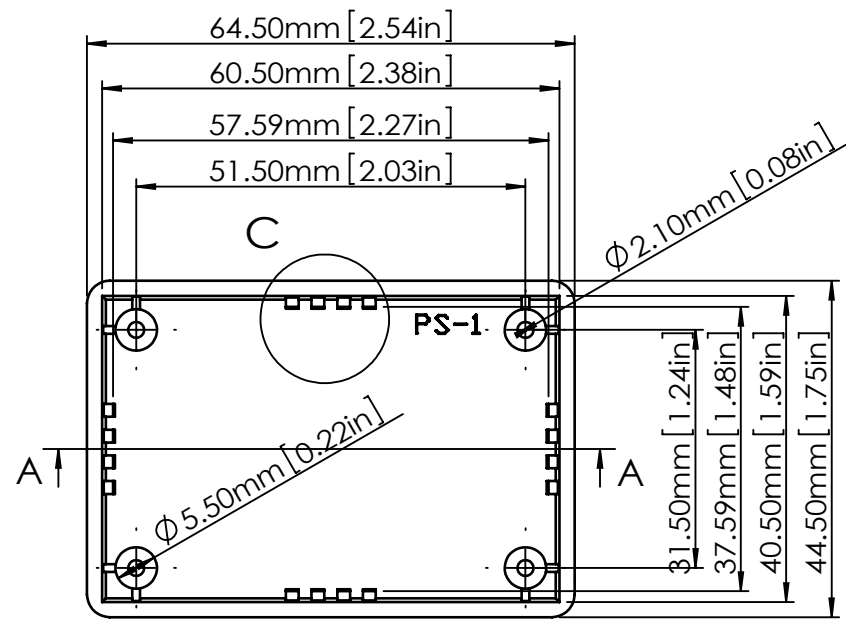
Material ABS

Fire class UL 94 HB

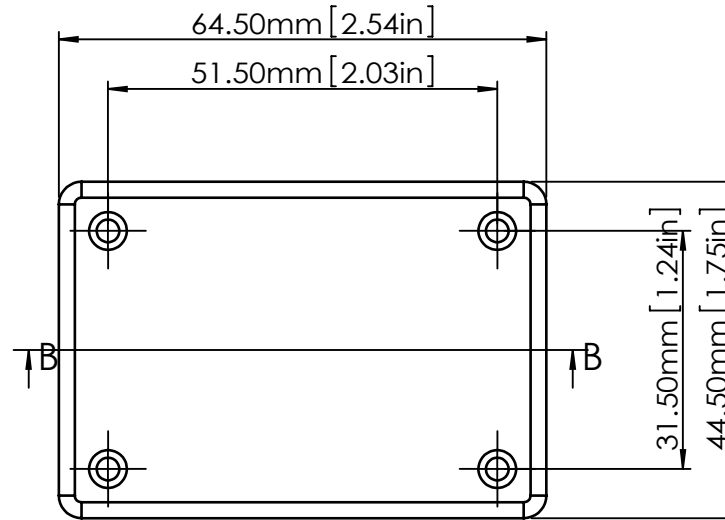


Art. Nr.

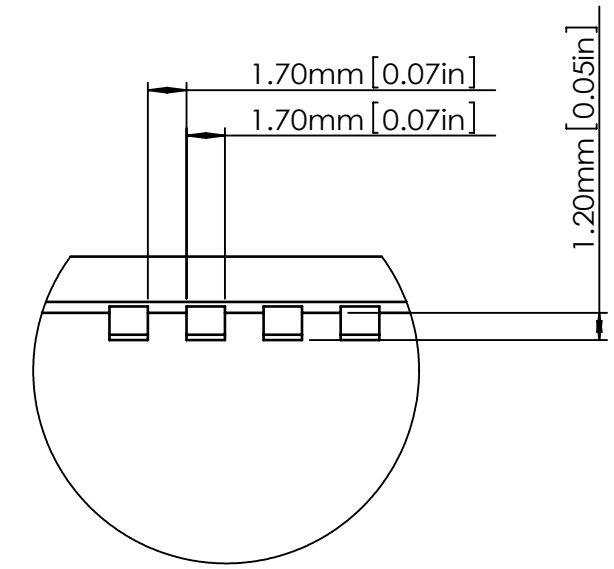
RND 455-00094



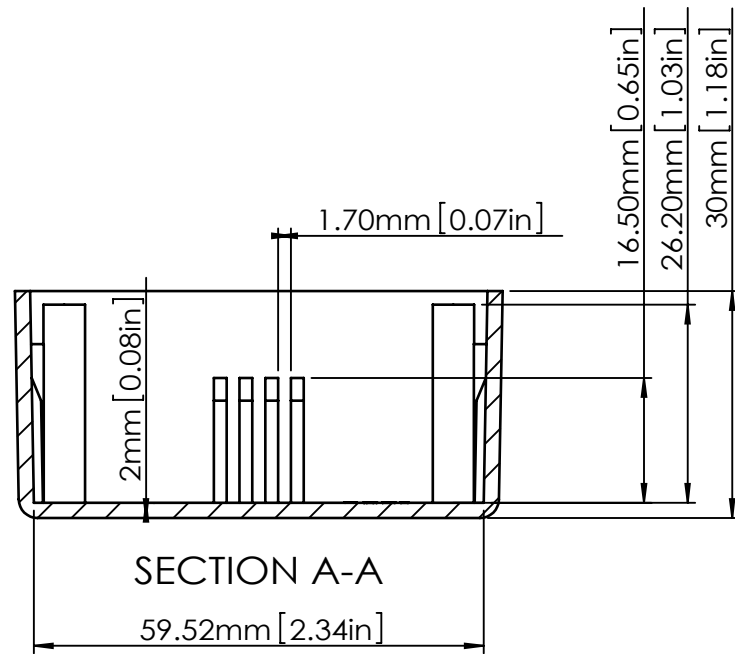
BASE



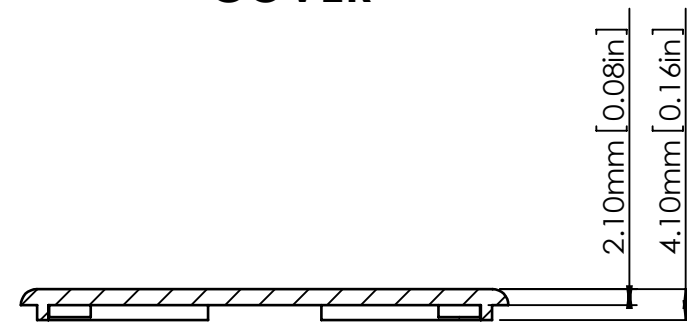
COVER



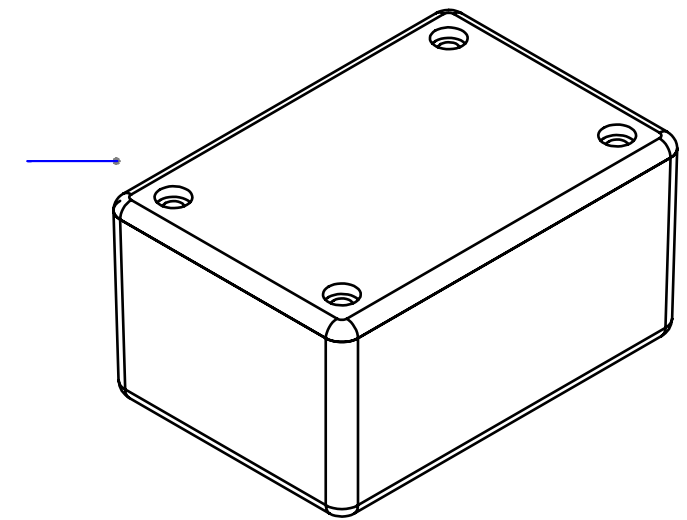
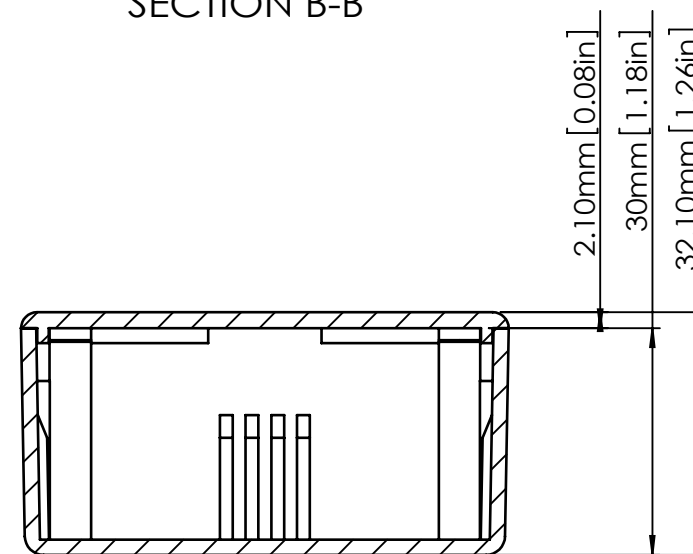
**SECTION C
SCALE 3:1**



SECTION A-A



SECTION B-B



According to ISO 2768-m	
Measuring DIM=L	Tolerances
0.5<L<=3.0mm	±0.1mm
3.0<L<=6.0mm	±0.1mm
6.0<L<=30.0mm	±0.2mm
30.0<L<=120.0mm	±0.3mm
120.0<L<=400.0mm	±0.5mm
400.0<L<=1000.0mm	±0.8mm