

GN 817 | Indexing plungers

Steel



- 1
- 2
- 3
- 4
- 5
- 6
- 7
- 8
- 9
- 10
- 11
- 12
- 13
- 14
- 15
- 16
- 17
- 18

THREADED BODY

Black-oxide steel.

PLUNGER

Black-oxide steel with hardened end.

Suggested tolerance for matching hole = H7.

LOCKING NUT

Black-oxide steel.

SPRING

AISI 301 stainless steel.

KNOB

High-resilience polyamide based (PA) technopolymer, black colour, matte finish.

STANDARD EXECUTIONS

- **GN 817-B**: with knob, without locking nut.
- **GN 817-BK**: with knob, with locking nut.
- **GN 817-C**: with knob and rest position, without locking nut.
- **GN 817-CK**: with knob and rest position, with locking nut.
- **GN 817-G**: without knob, without locking nut.
- **GN 817-GK**: without knob, with locking nut.

GN 817-G and GN 817-GK, without knob, are provided with threaded drive rod for combination with knobs on customer's request or to join the rod to an operating mechanism of the machine.

FEATURES AND APPLICATIONS

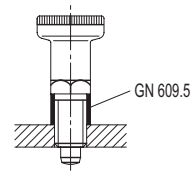
GN 817 indexing plungers offer the following advantages: 2 different strokes (l) for every plunger diameter (d1), compact knobs, retracted position mechanism GN 817-C inside the knob.

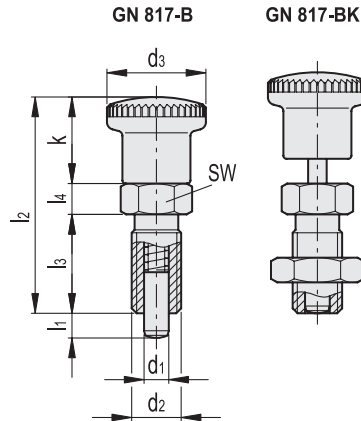
SPECIAL EXECUTIONS ON REQUEST

Indexing plungers with red clamping knob similar to RAL 3000 (GN 817-RT).

ACCESSORIES ON REQUEST

AISI 303 stainless steel distance bushings GN 609.5 (see page 562) for the assembly of the indexing plunger on thin sheets.





GN 817-B

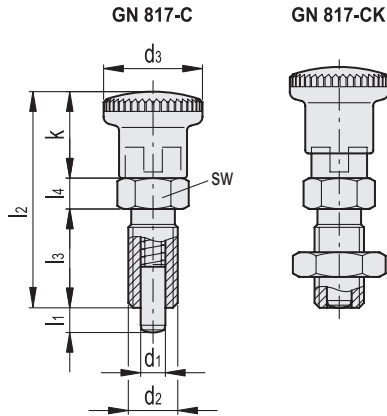
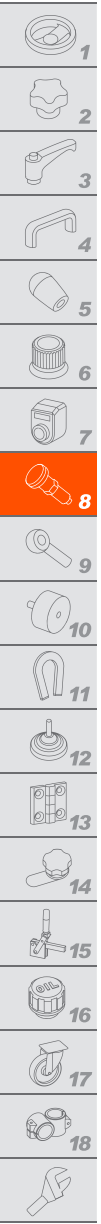
Code	Description	d1 Plunger -0.02 -0.04 Hole H7	d2	d3	k	l1	l2	l3	l4	sw	[N]*	[N]#	⚖
GN.41001	GN 817-4-4-B	4	M8x1	16	14	4	35	16	5	10	4.5	12	11
GN.41002	GN 817-4-6-B	4	M8x1	16	14	6	35	16	5	10	4	12.5	11
GN.41003	GN 817-5-5-B	5	M10x1	19	16	5	40	18	6	12	5	15	19
GN.41004	GN 817-5-8-B	5	M10x1	19	16	8	40	18	6	12	5	18	19
GN.41005	GN 817-6-6-B	6	M12x1.5	23	20	6	48	22	6	14	6.5	19	32
GN.41006	GN 817-6-9-B	6	M12x1.5	23	20	9	48	22	6	14	6	25	32
GN.41007	GN 817-8-8-B	8	M16x1.5	28	24	8	58	26	8	17	8.5	26	68
GN.41008	GN 817-8-12-B	8	M16x1.5	28	24	12	58	26	8	17	8.5	28	67
GN.41009	GN 817-10-12-B	10	M16x1.5	28	24	12	58	26	8	17	9.5	38	69
GN.41010	GN 817-12-15-B	12	M20x1.5	33	28.5	15	71.5	33	10	22	11.5	40	117
GN.41061	GN 817-16-20-B	16	M24x2	33	28.5	20	78.5	38	12	27	13	54	202

GN 817-BK

Code	Description	d1 Plunger -0.02 -0.04 Hole H7	d2	d3	k	l1	l2	l3	l4	sw	[N]*	[N]#	⚖
GN.41101	GN 817-4-4-BK	4	M8x1	16	14	4	35	16	5	10	4.5	12	12
GN.41102	GN 817-4-6-BK	4	M8x1	16	14	6	35	16	5	10	4	12.5	12
GN.41103	GN 817-5-5-BK	5	M10x1	19	16	5	40	18	6	12	5	15	20
GN.41104	GN 817-5-8-BK	5	M10x1	19	16	8	40	18	6	12	5	18	20
GN.41105	GN 817-6-6-BK	6	M12x1.5	23	20	6	48	22	6	14	6.5	19	33
GN.41106	GN 817-6-9-BK	6	M12x1.5	23	20	9	48	22	6	14	6	25	33
GN.41107	GN 817-8-8-BK	8	M16x1.5	28	24	8	58	26	8	17	8.5	26	69
GN.41108	GN 817-8-12-BK	8	M16x1.5	28	24	12	58	26	8	17	8.5	28	69
GN.41109	GN 817-10-12-BK	10	M16x1.5	28	24	12	58	26	8	17	9.5	38	71
GN.41110	GN 817-12-15-BK	12	M20x1.5	33	28.5	15	71.5	33	10	22	11.5	40	151
GN.41161	GN 817-16-20-BK	16	M24x2	33	28.5	20	78.5	38	12	27	13	54	207

* Spring preload

Spring maximum load



GN 817-C

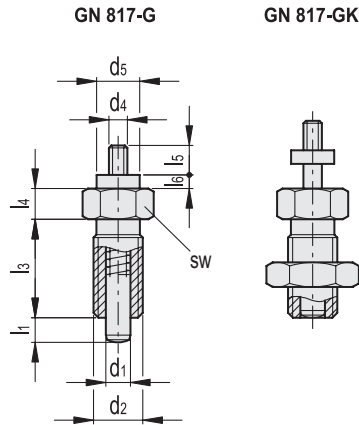
Code	Description	d1 Plunger -0.02-0.04 Hole H7	d2	d3	k	l1	l2	l3	l4	sw	[N]*	[N]#	⚖
GN.41011	GN 817-4-4-C	4	M8x1	16	14	4	35	16	5	10	4.5	12	11
GN.41012	GN 817-4-6-C	4	M8x1	16	14	6	35	16	5	10	4	12.5	11
GN.41013	GN 817-5-5-C	5	M10x1	19	16	5	40	18	6	12	5	15	19
GN.41014	GN 817-5-8-C	5	M10x1	19	16	8	40	18	6	12	5	18	19
GN.41015	GN 817-6-6-C	6	M12x1.5	23	20	6	48	22	6	14	6.5	19	32
GN.41016	GN 817-6-9-C	6	M12x1.5	23	20	9	48	22	6	14	6	25	32
GN.41017	GN 817-8-8-C	8	M16x1.5	28	24	8	58	26	8	17	8.5	26	68
GN.41018	GN 817-8-12-C	8	M16x1.5	28	24	12	58	26	8	17	8.5	28	67
GN.41019	GN 817-10-12-C	10	M16x1.5	28	24	12	58	26	8	17	9.5	38	69
GN.41020	GN 817-12-15-C	12	M20x1.5	33	28.5	15	71.5	33	10	22	11.5	40	117
GN.41063	GN 817-16-20-C	16	M24x2	33	28.5	20	78.5	38	12	27	13	54	219

GN 817-CK

Code	Description	d1 Plunger -0.02-0.04 Hole H7	d2	d3	k	l1	l2	l3	l4	sw	[N]*	[N]#	⚖
GN.41111	GN 817-4-4-CK	4	M8x1	16	14	4	35	16	5	10	4.5	12	12
GN.41112	GN 817-4-6-CK	4	M8x1	16	14	6	35	16	5	10	4	12.5	12
GN.41113	GN 817-5-5-CK	5	M10x1	19	16	5	40	18	6	12	5	15	20
GN.41114	GN 817-5-8-CK	5	M10x1	19	16	8	40	18	6	12	5	18	20
GN.41115	GN 817-6-6-CK	6	M12x1.5	23	20	6	48	22	6	14	6.5	19	33
GN.41116	GN 817-6-9-CK	6	M12x1.5	23	20	9	48	22	6	14	6	25	33
GN.41117	GN 817-8-8-CK	8	M16x1.5	28	24	8	58	26	8	17	8.5	26	69
GN.41118	GN 817-8-12-CK	8	M16x1.5	28	24	12	58	26	8	17	8.5	28	69
GN.41119	GN 817-10-12-CK	10	M16x1.5	28	24	12	58	26	8	17	9.5	38	69
GN.41120	GN 817-12-15-CK	12	M20x1.5	33	28.5	15	71.5	33	10	22	11.5	40	117
GN.41163	GN 817-16-20-CK	16	M24x2	33	28.5	20	78.5	38	12	27	13	54	224

Indexing and positioning elements

* Spring preload
Spring maximum load



GN 817-G

Code	Description	d1 Plunger -0.02-0.04 Hole H7	d2	d4	d5	l1	l3	l4	l5	l6	sw	[N]*	[N]#	⚖
GN.41021	GN 817-4-4-G	4	M8x1	M3	7	4	16	5	4.5	2.5	10	4.5	12	10
GN.41022	GN 817-4-6-G	4	M8x1	M3	7	6	16	5	4.5	2.5	10	4	12.5	10
GN.41023	GN 817-5-5-G	5	M10x1	M4	8	5	18	6	5.5	3	12	5	15	17
GN.41024	GN 817-5-8-G	5	M10x1	M4	8	8	18	6	5.5	3	12	5	18	17
GN.41025	GN 817-6-6-G	6	M12x1.5	M5	9	6	22	6	7	3.5	14	6.5	19	29
GN.41026	GN 817-6-9-G	6	M12x1.5	M5	9	9	22	6	7	3.5	14	6	25	29
GN.41027	GN 817-8-8-G	8	M16x1.5	M6	10	8	26	8	8.5	4	17	8.5	26	61
GN.41028	GN 817-8-12-G	8	M16x1.5	M6	10	12	26	8	8.5	4	17	8.5	28	60
GN.41029	GN 817-10-12-G	10	M16x1.5	M6	10	12	26	8	8.5	4	17	9.5	38	62
GN.41030	GN 817-12-15-G	12	M20x1.5	M6	12	15	33	10	8.5	4	22	11.5	40	111
GN.41065	GN 817-16-20-G	16	M24x2	M8	15	20	38	12	11.5	5	27	13	54	191

GN 817-GK

Code	Description	d1 Plunger -0.02-0.04 Hole H7	d2	d4	d5	l1	l3	l4	l5	l6	sw	[N]*	[N]#	⚖
GN.41121	GN 817-4-4-GK	4	M8x1	M3	7	4	16	5	4.5	2.5	10	4.5	12	11
GN.41122	GN 817-4-6-GK	4	M8x1	M3	7	6	16	5	4.5	2.5	10	4	12.5	11
GN.41123	GN 817-5-5-GK	5	M10x1	M4	8	5	18	6	5.5	3	12	5	15	18
GN.41124	GN 817-5-8-GK	5	M10x1	M4	8	8	18	6	5.5	3	12	5	18	18
GN.41125	GN 817-6-6-GK	6	M12x1.5	M5	9	6	22	6	7	3.5	14	6.5	19	30
GN.41126	GN 817-6-9-GK	6	M12x1.5	M5	9	9	22	6	7	3.5	14	6	25	30
GN.41127	GN 817-8-8-GK	8	M16x1.5	M6	10	8	26	8	8.5	4	17	8.5	26	62
GN.41128	GN 817-8-12-GK	8	M16x1.5	M6	10	12	26	8	8.5	4	17	8.5	28	62
GN.41129	GN 817-10-12-GK	10	M16x1.5	M6	10	12	26	8	8.5	4	17	9.5	38	64
GN.41130	GN 817-12-15-GK	12	M20x1.5	M6	12	15	33	10	8.5	4	22	11.5	40	135
GN.41165	GN 817-16-20-GK	16	M24x2	M8	15	20	38	12	11.5	5	27	13	54	196

* Spring preload

Spring maximum load