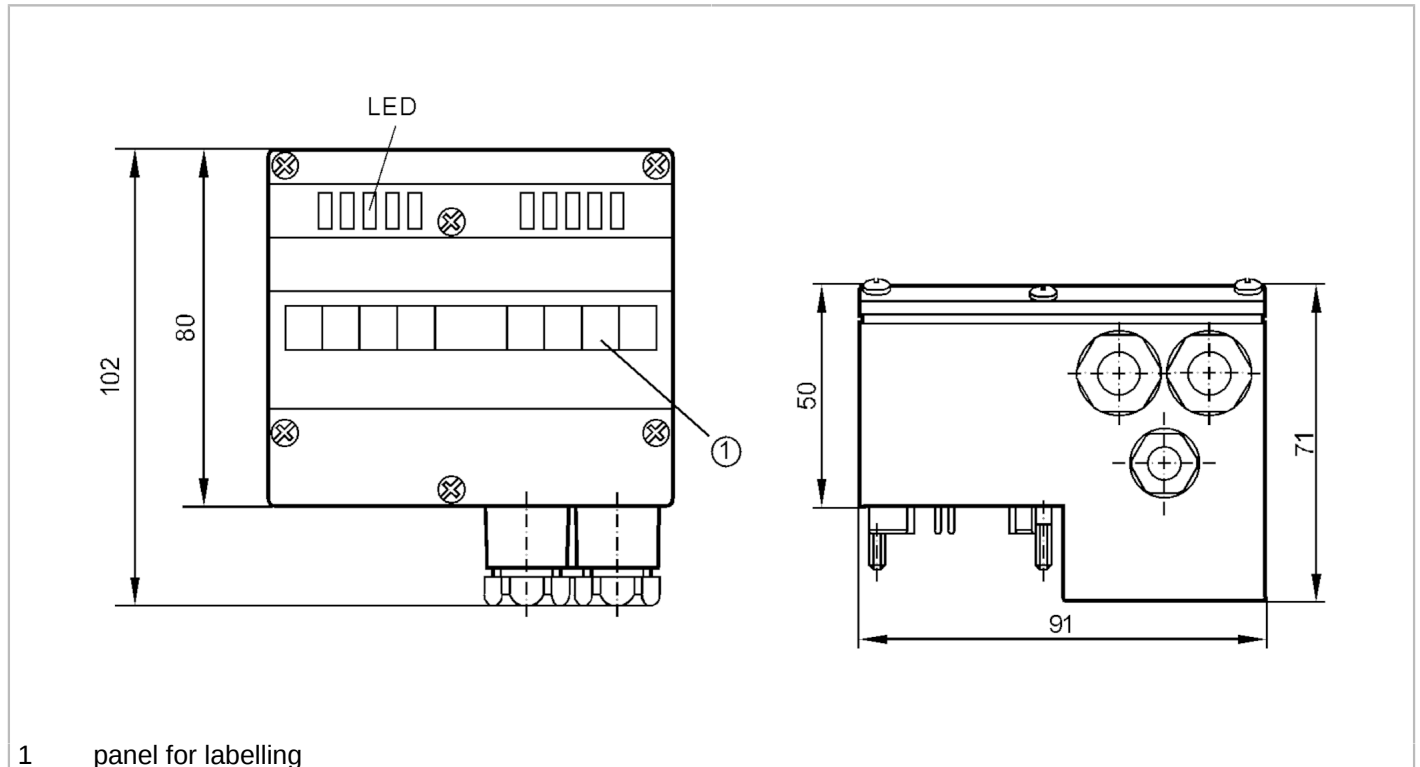


AC2616



AS-Interface universal module

UniversalModule 2AI(C) IP65



1 panel for labelling



Electrical data		
Operating voltage	[V]	26.5...31.6 DC
Current consumption	[mA]	8...40; (external supply)
Max. current consumption from AS-i	[mA]	40; (with external supply: 32 mA)
Reverse polarity protection		yes
Additional voltage supply	[V]	24 DC
Inputs / outputs		
Number of inputs and outputs		Number of analogue inputs: 2
Inputs		
Number of analogue inputs		2; (Anschluss von 2-, 3-, 4-Draht-Sensoren)
Sensor supply of the inputs		AS-i / external (to PELV)
Analogue input (current)	[mA]	4...20
Analogue inputs protected against short circuits		no
Resolution of analogue input		16 (1 bit = 1 μ A)
Operating conditions		
Ambient temperature	[°C]	0...70
Storage temperature	[°C]	-25...85
Protection		IP 65
Tests / approvals		
EMC		EN 50295
MTTF	[years]	150

AC2616



AS-Interface universal module

UniversalModule 2AI(C) IP65

AS-i classification						
AS-i profile	S-7.3.D					
AS-i I/O configuration [hex]	7					
AS-i ID code [hex]	3.D					
AS-i certificate pending	yes					
Assignment of the parameter bits	parameter bit	Designation				
	P0	filter in the A/D converter	: 1	50 Hz	* / 0	60 Hz
	P1	channel	2: 1	projected	/ 0	not projected
	P2	peripheral fault	: 1	activated	/ 0	deactivated
	P3	not used	: 1	reserved	/ 0	not reserved

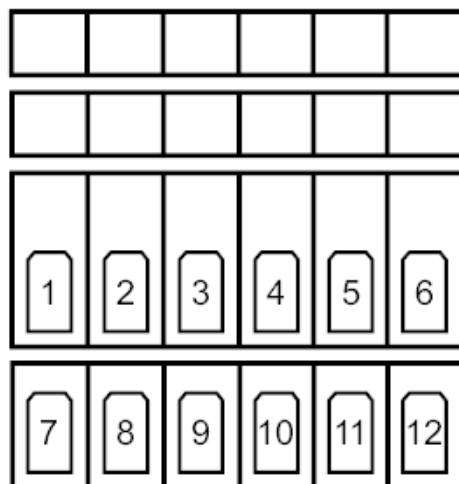
Mechanical data	
Weight [g]	285
Type of mounting	AS-i interface to FC-E lower parts
Materials	PBT

Displays / operating elements		
Display	switching status	2 x LED, yellow channels 1, 2
	function	1 x LED, green Voltage A/D converter
	operation	1 x LED, green Voltage AS-i - AS-i
	errors	1 x LED, red

Remarks	
Pack quantity	1 pcs.

Electrical connection
 cage clamps:
 contact pins to module lower part, FK / FK-E / PG:

Connection



AC2616



AS-Interface universal module

UniversalModule 2AI(C) IP65

1	I+ Sensor supply 2 +24V
2	C2 analogue input mA
3	I- Sensor supply 2 0V
4	COM 2 analogue input 2 0V
5	Shield
6	Shield
7	I+ Sensor supply 1 +24V
8	C1 analogue input mA
9	I- Sensor supply 1 0V
10	COM 1 analogue input 1 0V
11	FE functional earth
12	FE functional earth