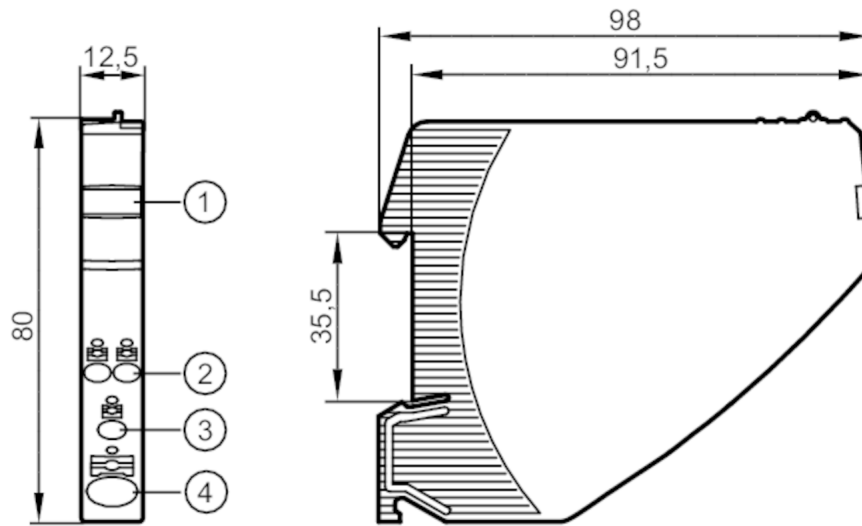


# DF1100



## Power supply module for electronic circuit breaker

Fuse/Standard/24VDC/Module



- 1 panel for labelling
- 2 push-in terminals switching output 13/14
- 3 push-in terminal 0 V
- 4 push-in terminal 24 V DC



| Electrical data                                |              |                           |
|--|--------------|---------------------------|
| Operating voltage                              | [V]          | to SELV/PELV              |
| Nominal voltage DC                             | [V]          | 24                        |
| Input voltage DC                               | [V]          | 19.2...30                 |
| Protection class                               |              | III                       |
| Reverse polarity protection                    |              | yes                       |
| Mains buffering time (nominal voltage 24 V DC) | [ms]         | 10                        |
| Input current (nominal voltage 24 V DC)        | [A]          | 40                        |
| Closed-circuit current                         | [mA]         | 10                        |
| Operating conditions                           |              |                           |
| Ambient temperature                            | [°C]         | -25...60                  |
| Storage temperature                            | [°C]         | -40...70                  |
| Protection                                     |              | IP 20; (on the front)     |
| Degree of soiling                              |              | 2                         |
| Tests / approvals                              |              |                           |
| EMC  | EN 61000-6-3 | radiation of interference |
|  | EN 61000-6-2 | immunity                  |
| Mechanical data                                |              |                           |
| Weight   | [g]          | 67                        |
| Dimensions                                     | [mm]         | 80 x 12.5 x 98            |
| Electrical connection                          |              |                           |
| push-in terminals:                             |              |                           |

# DF1100



## Power supply module for electronic circuit breaker

Fuse/Standard/24VDC/Module

contact lever/strip:

### Connection

