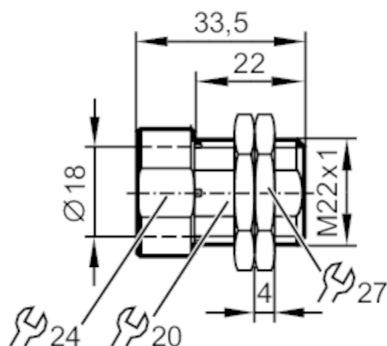


E12453



Mounting sleeve with end stop

FIXING/M18/NT/K1/COATED/END STOP



Application

Special feature	anti-spatter
Design	with end stop

Mechanical data

Weight	[g]	55.3
Dimensions	[mm]	M22 x 1
Thread designation		M22 x 1
Inside diameter	[mm]	18
Materials		brass anti-spatter; nut: brass anti-spatter
Installation instruction		align the sensing face of the sensor to the right (see scale drawing)
Tightening torque	[Nm]	5; (lock nuts: 10)

Accessories

Accessories (supplied)	Nuts: 2
------------------------	---------

Remarks

Pack quantity	1 pcs.
---------------	--------