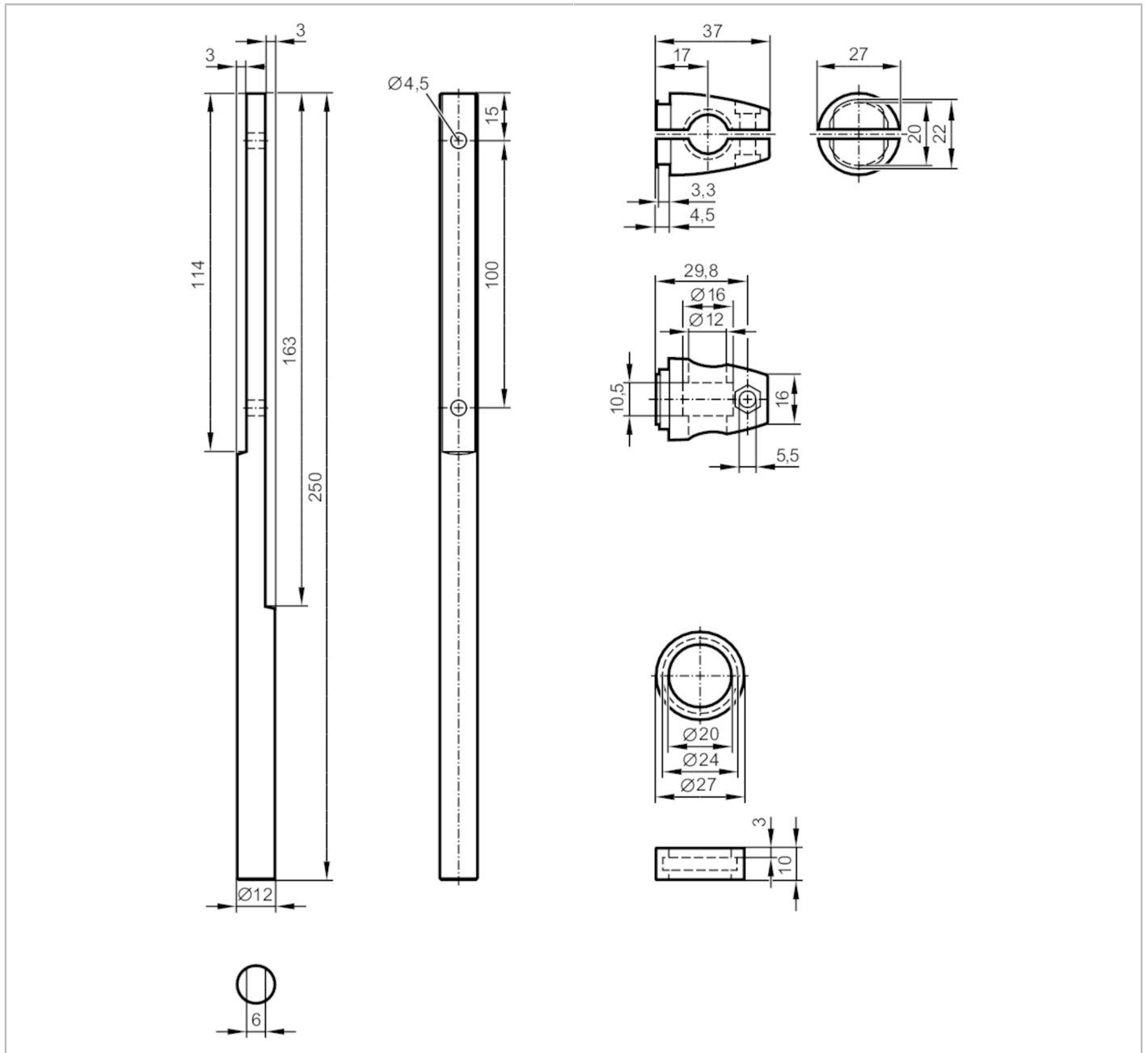


E2D114



Mounting set for illumination unit

MOUNTING SET BARLIGHT



Application	
Design	clamp mounting
Mechanical data	
Weight	[g] 394
Dimensions	[mm] Ø 12 / L = 250
Materials	Mounting bracket: stainless steel; Clamp: stainless steel
Accessories	
Accessories (supplied)	screws
Remarks	
Pack quantity	1 pcs.