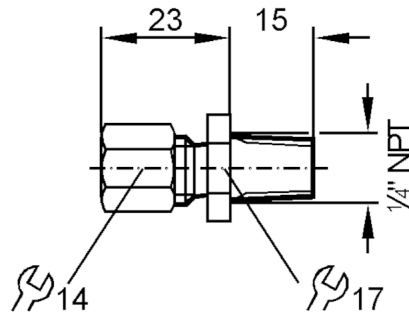




Progressive ring fitting for temperature sensors

PROGRESSIVE RG FITTING D6 NPT



Application

Pressure rating [bar] 50

Tests / approvals

Pressure Equipment Directive A possible classification to PED depends on the application and has to be carried out by the user / operator.

Safety instructions The compatibility between medium and product material has to be checked in all applications.

Mechanical data

Weight [g] 42.5

Materials stainless steel (1.4571/316Ti)

Sensor connection Ø 6 mm

Process connection 1/4 NPT

Remarks

Pack quantity 1 pcs.