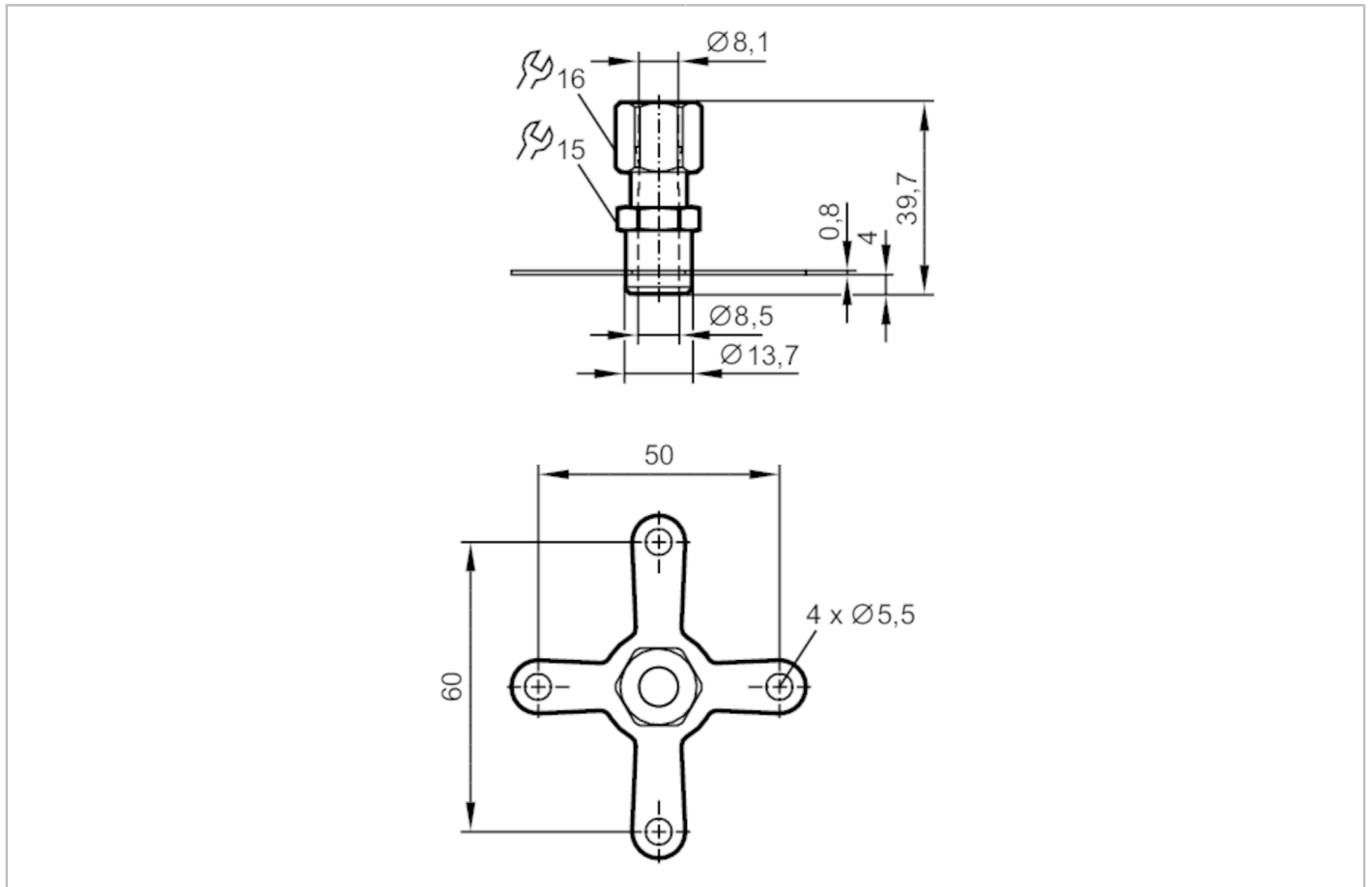


E43909



Adapter

ADAPTION SHEET WELDED D8



Application	
Media	liquids and gases of the fluid group 2 according to the Pressure Equipment Directive (PED)
Tests / approvals	
Pressure Equipment Directive	article 3, paragraph (3) - Sound Engineering Practice
Mechanical data	
Weight [g]	103.5
Materials	stainless steel (1.4404 / 316L); stainless steel (1.4435 / 316L)
Sensor connection	Ø 8 mm
Remarks	
Pack quantity	1 pcs.