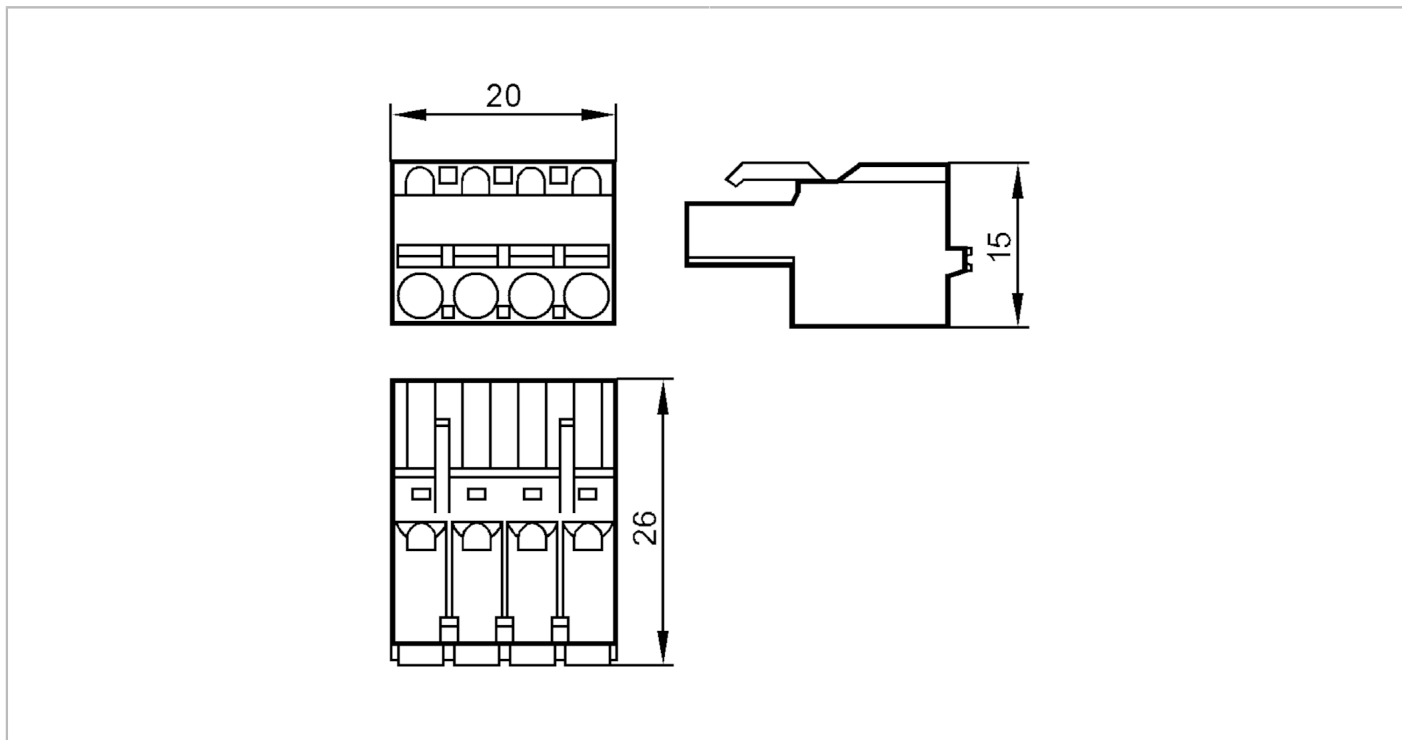


E70233



COMBICON connector

Combicon plug/quantity 100



Electrical data

Contact resistance	[mΩ]	1.5; (2,5 mm ²)
Max. load current	[A]	12; (2,5 mm ²)

Mechanical data

Weight	[g]	688
Materials		current carrying parts: copper alloy tin-plated

Remarks

Pack quantity		100 pcs.
---------------	--	----------