

## SVS VALVE PLUG FORM A 18MM FIELD-WIREABLE

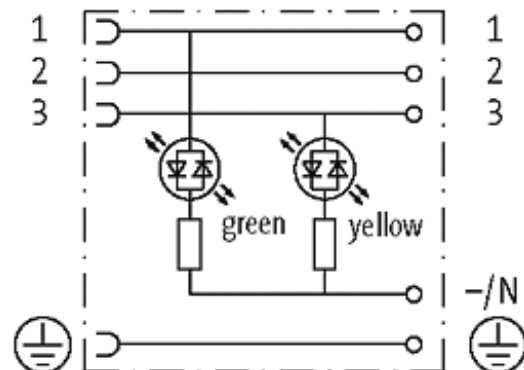
24V LED PG9

Form A (18 mm) for pressure switch  
 24 V AC/DC  
 LED green (1) yellow (3)  
 PG 9

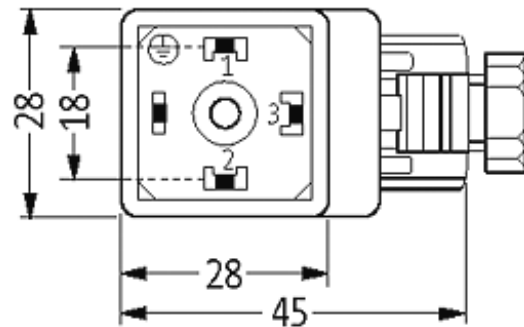
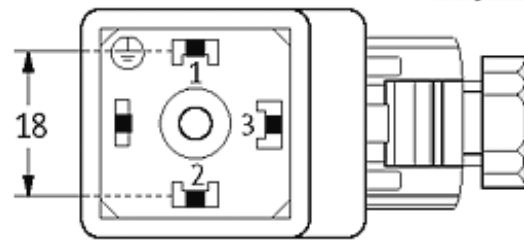
Plastic housings with good resistance against chemicals and oils. The resistance to aggressive media should be individually tested for your application. Further details on request.

### [Link to Product](#)

#### Illustration



stay connected



Height: 41 mm

Product may differ from Image

### Approvals



### Form

29461

### Technical Data

Operating voltage	24 V AC/DC $\pm 25\%$
Operating current per contact	max. 4 A
Sealing range (cable diameter)	6...8 mm
Locking of ports	M3 (recommended torque 0.4 Nm)
Compression gland	PG 9; (PG11, NPT 1/2" on request)
Protection	IP65 inserted and tightened (EN 60529), with gland

### General data

Temperature range	-20...+60 °C
-------------------	--------------

### Commercial data

country of origin	CZ
customs tariff number	85366990
minimum order quantity	1