

Screening Grid Retainer for PNBC

ZNBS004

Part Number



Technical Data

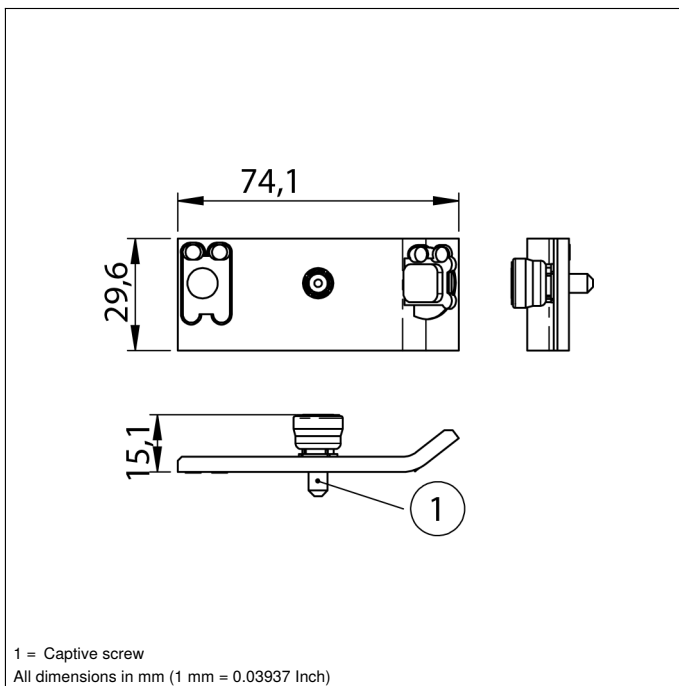
Mechanical Data

Material	Aluminum
Weight	25 g
Packaging unit	1 Piece

● Captive mounting kit

Complementary Products

ZNBE002, ZNBE004 Protective Screen



Protective discs must be ordered separately (not included in scope of delivery)