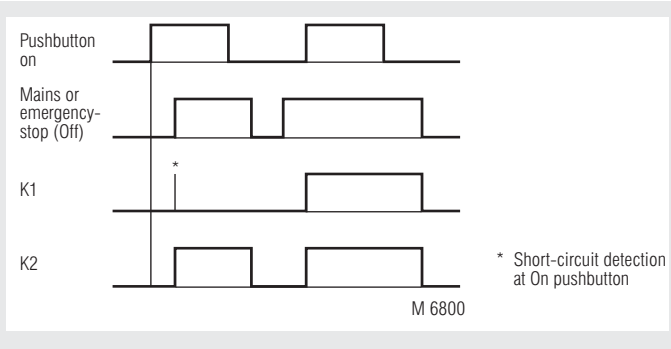


0221562

- According to
 - SIL-Claimed Level (SIL CL) 3 to EN 62061
 - Performance Level (PL) e to DIN EN ISO 13849-1
 - Category 4 to EN 954-1
- Output: max. 6 NO, 1 NC contacts or 1 NO contact for AC 250 V
- Optionally with release delayed NO contact to 10 min
- 1-channel or 2-channel connection
- Line fault detection at On pushbutton
- Optionally automatic On function after connection of operating voltage or activation via On pushbutton
- Optionally cross fault detection in emergency stop control circuit
- Optionally dual voltage version
- Feedback circuit X1-X2 for monitoring external contactors
- Integrated short-circuit and overvoltage protection
- Optionally with protective separation to IEC/EN 60 140, IEC/EN 60 947-1
- LED displays for channels 1 and 2 and supply
- Removable terminal strips
- Wire connection: also 2 x 1,5 mm² stranded ferruled (isolated), DIN 46 228-1/-2/-3-4 or 2 x 2,5 mm² stranded ferruled DIN 46 228-1/-2/-3
- Width 100 mm

Function diagram



Approvals and marking



BG valid 31.12.2009; ¹⁾ pending; * see variants

Applications

- Protection of people and machines
- Emergency stop circuits on machines
- Monitoring of safety gates

Indication

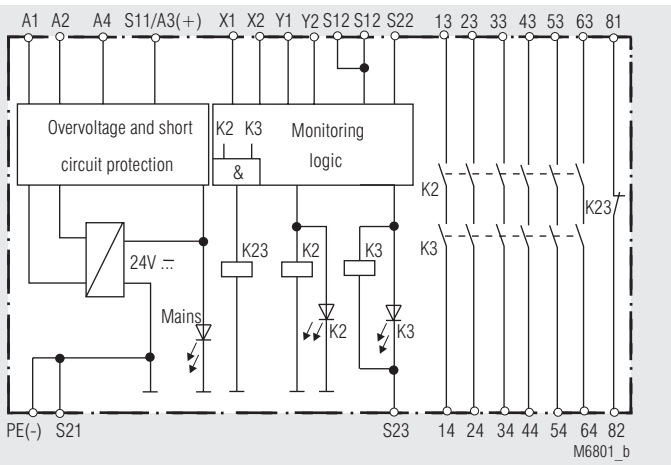
- LED power supply: on, when operating voltage present
- LED K2: on, when supply on relay K2
- LED K3: on, when supply on relay K3

only at BO 5988/4_ __,
BO 5988/5_ __:
LED KT2, KT3: on, when delayed contacts are energised

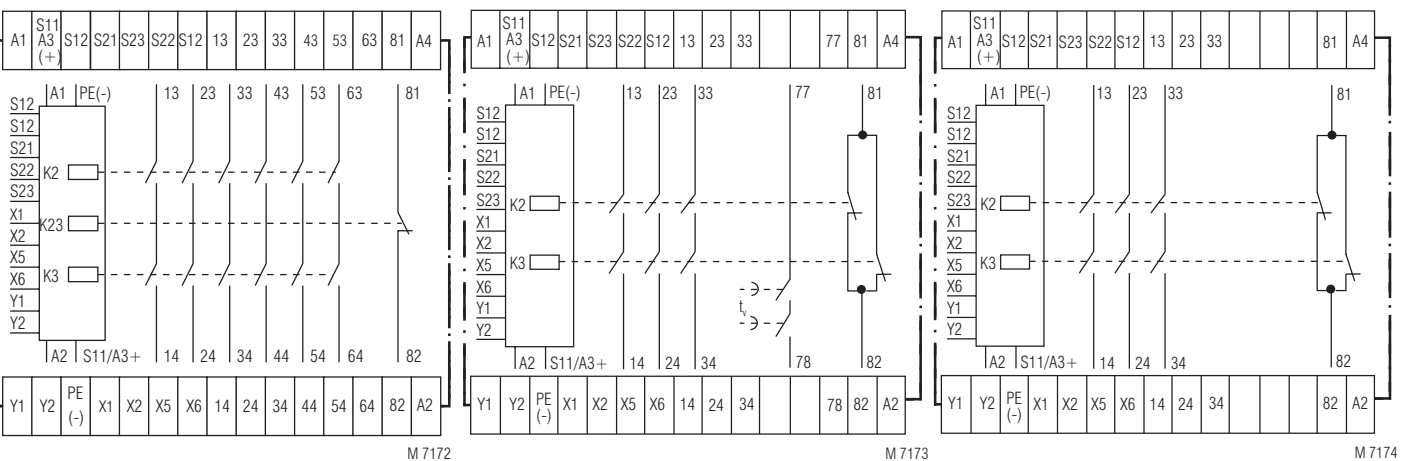
Note

Safety category 4 according to EN 954-1 only at applications with cross fault detection.
At delayed contacts: Safety category 3 according to EN 954-1 for delays up to 30 s max. For longer delays category 1.

Block diagram



Circuit diagrams



BO 5988.61

BO 5988.47

BO 5988.48

Notes

Jumper assignment for functions:
Activation via On pushbutton / or automatic On function

| On push-button Y1 - Y2 | Jumper X5 - X6 | Function |
|---------------------------|-------------------|---|
| | | The output contacts are switches only after operation of the On pushbutton. Line fault monitoring at the On pushbutton |
| | | Automatic On function for operating voltage Off/On or after emergency stop release |

Line fault detection at the On pushbutton:

The output contacts cannot be closed if the On pushbutton is already closed before the voltage is applied to S12, S22 (also in the event of a line fault at the On pushbutton).

A line fault at the On pushbutton which occurs after activation of the device is recognized when switching-on takes place again and closing of the output contacts is then prevented.

If a line fault occurs at the On pushbutton after the voltage is already present at S12, S22, undesired activation will take place, because this line fault does not differ from the normal closing function.

The gold-plated contacts of the BO 5988 also mean that this module is suitable for switching small loads of 1 mVA ... 7 VA, 1 mW ... 7 W in the range 0,1 ... 60 V, 1 ... 300 mA. The contacts also permit the maximum switching current. However, since the gold plating is burnt off at this current level, the device is no longer suitable for switching small loads after this.

The PE terminal permits operation of the device in IT systems with insulation monitoring and also serves as a reference point for testing the control voltage. The internal short-circuit protection will be bridged on DC devices, if the protective ground is connected to terminal PE.

One or more extension modules BN 3081 or external contactors with positively-driven contacts may be used to multiply the number of contacts of the emergency stop module BO 5988.

ATTENTION - AUTOMATIC START!



According to IEC/EN 60 204-1 part 9.2.5.4.2 it is not allowed to restart automatically after emergency stop. Therefore the machine control has to disable the automatic start after emergency stop.

Technical data

Input

Nominal voltage U_N

BO 5988.--/00: DC 24 V
BO 5988.--/24: DC 24 V¹⁾ + AC 24 V²⁾

DC 24 V¹⁾ + AC 48 V²⁾

DC 24 V¹⁾ + AC 110 V²⁾

DC 24 V¹⁾ + AC 230 V²⁾

DC 24 V¹⁾ + AC 240 V²⁾

¹⁾ at terminals A3-A4

²⁾ at terminals A1-A2

Voltage range:

at 10 % residual ripple:

at 48 % residual ripple:

Nominal consumption:

AC: approx. 6 VA, DC: approx. 3 W

Nominal frequency:

50 / 60 Hz

Control voltage

at S11:

typ. DC + 24 V

at S21:

0 V

Control current:

typ. DC 110 mA

Minimum voltage

at terminals S12, S22:

DC 21 V with activated device

Recovery time:

2 s

A minimum switch-off time of 20 s must be observed if the line fault monitoring function at the On pushbutton is active

Technical Data

Output

Contact

BO 5988.48:

3 NO, 1 NC indicator contact

BO 5988.61:

6 NO, 1 NC indicator contact

BO 5988.62:

6 NO, 1 NO indicator contact

BO 5988.47:

3 NO, 1 NC indicator contact

1 NO release delayed

The NO contacts 13...63 / 14...64 are

safety contacts. The NO contact 77/78

can be use as safety contact for units

with time delay up to max. 30 s.

ATTENTION! The NC contacts 81-82 or one NO contact 83-84 can only be used for monitoring.

Operate time

manual restart:

typ. 30 ms

automatic restart:

1 s

Release time

opening in secondary circuit

(S12-S22):

30 ms ± 50 %

opening in supply circuit

BO5988.47, BO 5988.48:

100 ms + 50 %

BO 5988.61, BO 5988.62:

50 ms + 50 %

Time delay t_v :

BO 5988.47/1 __ :

Auxiliary supply is not necessary

during elapse of time:

0,1 ... 1 s 0,3 ... 3 s

0,5 ... 5 s 1 ... 10 s

1 s, 3 s, 5 s, 10 s

BO 5988.47/2 __ :

Auxiliary supply must be connected

during elapse of time:

0,1... 1 s 0,1 ... 1 min

0,3... 3 s 0,3 ... 3 min

1 ... 10 s 0,5 ... 5 min

3 ... 30 s 1 ... 10 min

BO 5988.47/4 __ :

1 s, 3 s, 10, 30 s

1 min, 3 min, 5 min, 10 min

Repeat accuracy

BO 5988.47/1 __ and

BO 5988.47/2 __ :

± 15 % of setting value

BO 5988.47/4 __ and

BO 5988.47/5 __ :

± 1 % of setting value

Contact type:

Nominal output voltage:

Relay, positively-driven

AC 250 V

DC: see limit curve for arc-free

operation

Signalling contact of

BO 5988.61 and BO 5988.62: AC 10 ... 250 V, DC 10 ... 120 V

for AC/DC 0,1 ... 1 A

see total current limit curve

(max. 10 A in one contact path)

Thermal current I_{th} :

release delayed NO contact

77-78 at BO 5988.47:

max. 8 A

Switching capacity

to AC 15

NO contact:

5 A / AC 230 V

IEC/EN 60 947-5-1

NC contact:

2 A / AC 230 V

IEC/EN 60 947-5-1

BO 5988.47

release delayed NO contact:

3 A / AC 230V

IEC/EN 60 947-5-1

to DC 13

NO contact:

4 A / DC 24 V

IEC/EN 60 947-5-1

NC contact:

4 A / DC 24 V

IEC/EN 60 947-5-1

to DC 13

NC contact:

10 A / 24 V > 10⁵

On: 0,4 s, Off: 9,6 s

Electrical life

to AC 15 at 2 A, AC 230 V:

10⁵ switching cycles IEC/EN 60 947-5-1

to DC 13 at 2 A, AC 230 V:

> 240 x 10³ switching

cycles IEC/EN 60 947-5-1

Permissible operating

frequency:

600 switching cycles / h

Short circuit strength

max. fuse rating:

6 A gL

IEC/EN 60 947-5-1

max. line circuit breaker:

C 10 A

Mechanical life:

30 x 10⁶ switching cycles

Technical Data

General Data

| | | |
|--|--|-------------------|
| Operating mode: | Continuous operation | |
| Temperature range: | - 15 ... + 50°C | |
| Clearance and creepage distances | | |
| rated impuls voltage / pollution degree: | 4 kV / 2 | IEC 60 664-1 |
| EMC | | |
| Electrostatic discharge: | 8 kV (air) | IEC/EN 61 000-4-2 |
| HF irradiation: | 10 V / m | IEC/EN 61 000-4-3 |
| Fast transients: | 2 kV | IEC/EN 61 000-4-4 |
| Surge voltages between wires for power supply: | 0,5 kV | IEC/EN 61 000-4-5 |
| between wire and ground: | 2 kV | IEC/EN 61 000-4-5 |
| HF-wire guided: | 10 V | IEC/EN 61 000-4-6 |
| Interference suppression: | Limit value class B | EN 55 011 |
| Degree of protection | | |
| Housing: | IP 40 | IEC/EN 60 529 |
| Terminals: | IP 20 | IEC/EN 60 529 |
| Housing: | Thermoplastic with V0 behaviour according to UL subject 94 | |
| Vibration resistance: | Amplitude 0,35 mm IEC/EN 60 068-2-6 frequency 10 ... 55 Hz | |
| Climate resistance: | 15 / 050 / 04 IEC/EN 60 068-1 | |
| Terminal designation: | EN 50 005 | |
| Wire connection: | 1 x 4 mm ² solid or 1 x 2,5 mm ² stranded ferruled (isolated) or 2 x 1,5 mm ² stranded ferruled (isolated) DIN 46 228-1/-2/-3/-4 or 2 x 2,5 mm ² stranded ferruled DIN 46 228-1/-2/-3 | |
| Wire fixing: | Plus-minus terminal screws M 3,5 box terminal with wire protection | |
| Mounting: | DIN rail IEC/EN 60 715 | |
| Weight: | 850 g | |

Dimensions

Width x height x depth: 100 x 74 x 121 mm

Safety related data

| | |
|---|--|
| Probability of dangerous Failure per Hour (PFH_D): | 4,77 · 10 ⁻¹⁰ 1/h (BO 5988.61, BO 5988.62) 8,60 · 10 ⁻¹⁰ 1/h (BO 5988.47/124) |
| Safe Failure Fraction (SFF): | 99,4 % (BO 5988.61, BO 5988.62) 99,3 % (BO 5988.47/124) |
| Proof Test Intervall (T1): | 20 Years |



The values stated above are valid for the standard type. Safety data for other variants are available on request

Standard types

| | | | |
|---|--------------------|------------|------------|
| BO 5988.61/024 | DC 24 V + AC 230 V | 50 / 60 Hz | |
| Article number: | 0040375 | | stock item |
| <ul style="list-style-type: none"> • Dual voltage version • Output: 6 NO contacts, 1 NC contact as monitoring contact • Width: 100 mm | | | |
| BO 5988.47/124 | DC 24 V + AC 230 V | 50 / 60 Hz | 1 ... 10 s |
| Article number: | 0040430 | | stock item |
| <ul style="list-style-type: none"> • Dual voltage version • Output: 3 NO contacts, 1 NC contact as monitoring contact, 1 release delayed NO contact • With adjustable time delay t_v to 10 s • Width: 100 mm | | | |

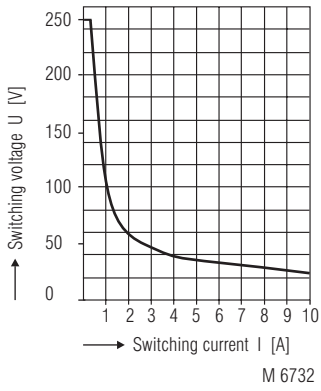
Variants

| | |
|--|---|
| BO 5988. __ / 60: | with CSA approval |
| BO 5988. __ / 61: | with UL approval (Canada/USA) |
| Auxiliary supply is not necessary during elapse of time: | |
| BO 5988.47 / 1 __: | 3 NO / 1 NC contacts + t_v adjustable |
| BO 5988.47 / 2 __: | 3 NO / 1 NC contacts + t_v fixed |
| Auxiliary supply must be connected during elapse of time: | |
| BO 5988.47 / 4 __: | 3 NO / 1 NC contacts + t_v adjustable |
| BO 5988.47 / 5 __: | 3 NO / 1 NC contacts + t_v fixed |
| Without time delay t_v : | |
| BO 5988.48 / 0 __: | 3 NO / 1 NC contacts |
| BO 5988.61 / 0 __: | 6 NO / 1 NC contacts as monitoring contact |
| BO 5988.62 / 0 __: | 6 NO / 1 NC contacts as monitoring contact |
| BO 5988. __ / __00: | single voltage model |
| BO 5988. __ / __24: | dual voltage model |
| BO 5988.61 / 106: | |
| Protective separation of control and load circuits according to IEC/EN 61 140, IEC/EN 60 947 4 kV / 2 referred to overvoltage category II with basic insulation to IEC 60 664 of 2,5 kV / 2. | |
| BO 5988.61 / 324: | Dual voltage model 0,5 s operate delay with automatic restart |

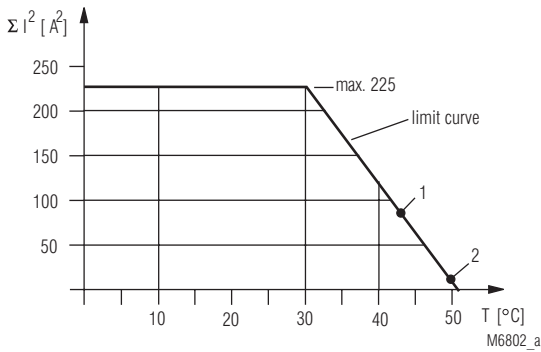
Ordering example for variants

| | | | | |
|----------------|------------|--------------------|------------|--|
| BO 5988.47/124 | 1 ... 10 s | DC 24 V + AC 230 V | 50 / 60 Hz | |
| | | | | Nominal frequency |
| | | | | Nominal voltage |
| | | | | Time delay |
| | | | | 00: 1 nominal voltage |
| | | | | 24: 2 nominal voltages |
| | | | | 0: without t_v |
| | | | | without auxiliary supply during time elapse: |
| | | | | 1: t_v adjustable |
| | | | | 2: t_v fixed |
| | | | | with auxiliary supply during time elapse: |
| | | | | 4: t_v adjustable |
| | | | | 5: t_v fixed |
| | | | | Contacts |
| | | | | Type |

Characteristics



Limit curve for arc-free operation with resistive load



Total current limit curve

It is necessary to use the square of the currents in order to obtain a linear limit curve.

General formula for determination of the maximum ambient temperature

- Sum of currents² per safety contact = value on scale ΣI^2 (A²)
- Max. ambient temperature T = Cross point of scale ΣI^2 (A²) with limit curve

Example 1

- $(4A)^2 + (4A)^2 + (4A)^2 + (4A)^2 + (4A)^2 + (4A)^2 = 96 A^2$ (Scale ΣI^2)
- Max. ambient temperature $T = 43^\circ\text{C}$ (point 1)

Example 2

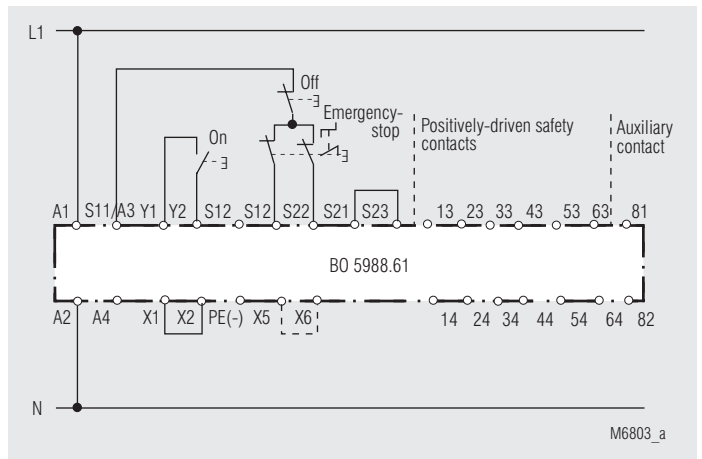
- $(0,5 A)^2 + (1 A)^2 + (2 A)^2 + (1 A)^2 = 6,25 A^2$ (Scale ΣI^2)
- Max. ambient temperature $T = 49^\circ\text{C}$ (point 2)

Please note:

The total current² can still be 1,5 A² at 50°C, i.e. 0,5 A per safety contact

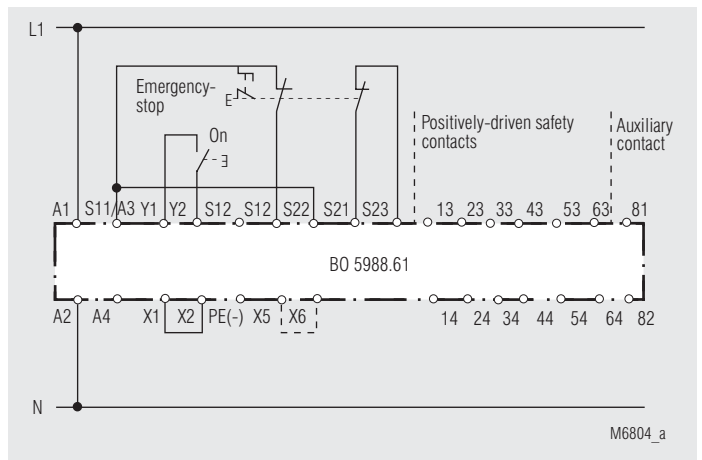
- $(0,5 A)^2 + (0,5 A)^2 + (0,5 A)^2 + (0,5 A)^2 + (0,5 A)^2 + (0,5 A)^2 = 1,5 A^2$
- Max. ambient temperature = 50°C

Application examples

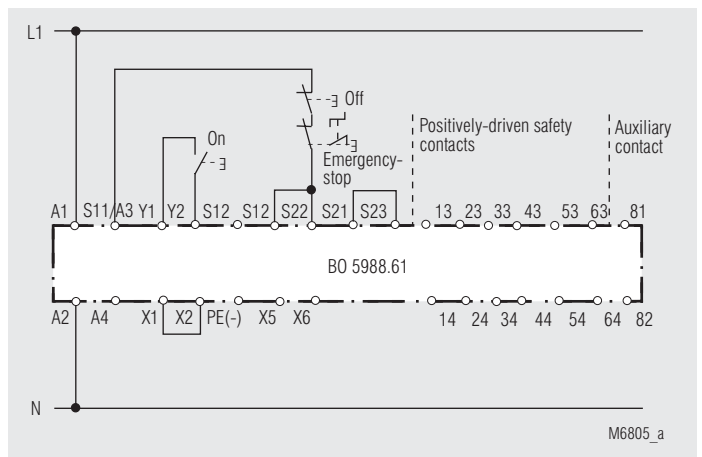


Two-channel emergency stop circuit without cross fault detection.
Activation via On pushbutton. - - - Jumper X5 - X6:
A jumper must be fitted X5 - X6 for the automatic On function.
The On pushbutton is not required.

Application examples

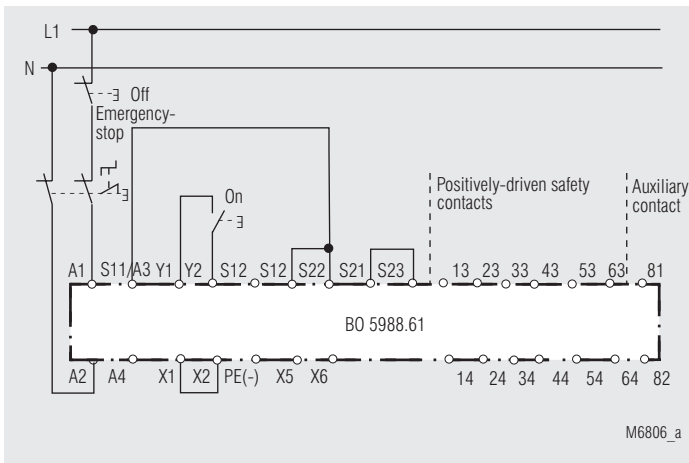


Two-channel emergency-stop circuit with cross fault detection.
Activation via On pushbutton. - - - Jumper X5 - X6:
A jumper must be fitted X5 - X6 for the automatic On function.
The On pushbutton is not required.



One-channel emergency stop circuit. This circuit does not have any redundancy in the emergency stop control device circuit.

Application examples

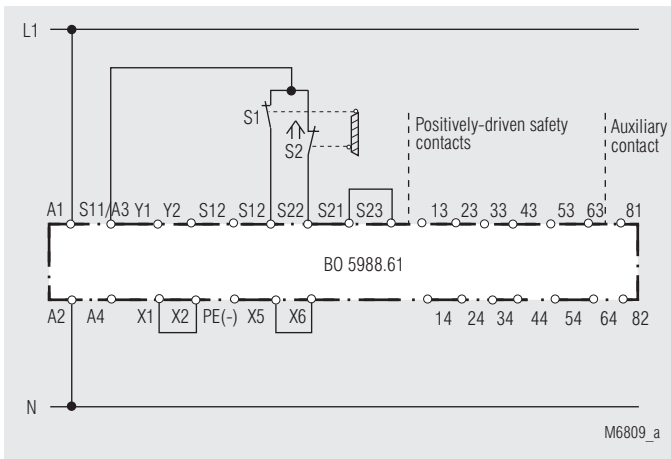


Two-pole emergency stop circuit with emergency stop control device in the supply circuit.

Application for long emergency stop loops where the control voltage drops below the minimum voltage of 21 V.

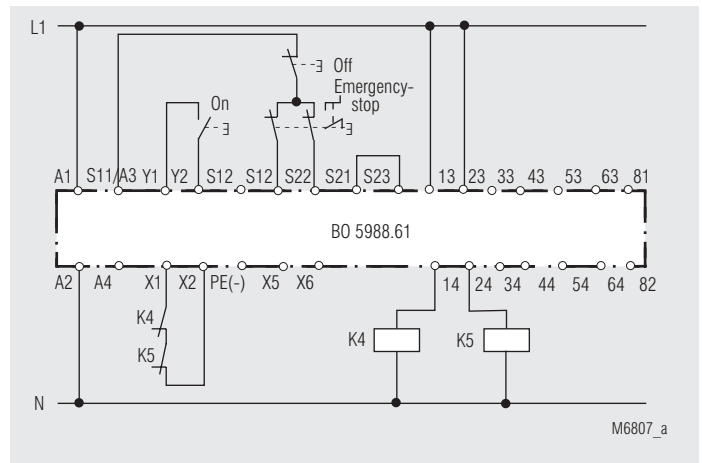
Attention:

Single faults (e.g. line faults at the emergency stop control device) are not detected with this external circuit configuration.



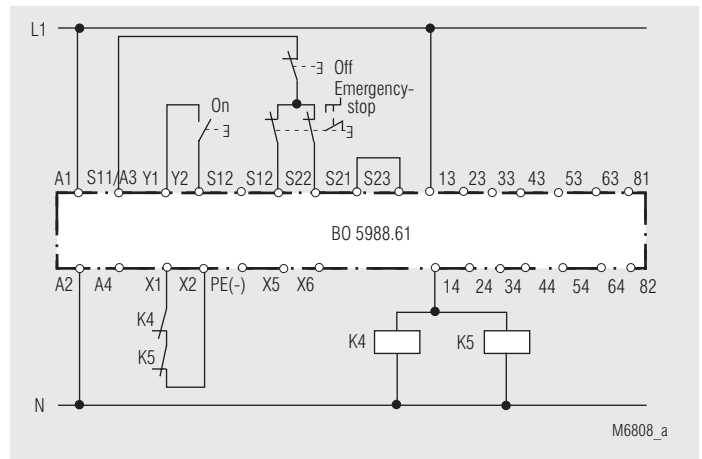
Two-channel monitoring of a safety gate. S1 must not close before S2

Application examples



Contact reinforcement by external contactors, two-channel.

The output contacts can be reinforced by external contactors with positively-driven contacts for switching currents > 8 A. Functioning of the external contactors is monitored by looping the NC contacts into the closing circuit (terminals X1 - X2).



Contact reinforcement by external contactors with reduced safety level.

