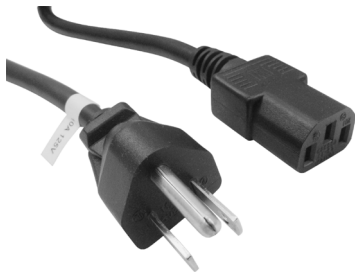


# Power Cord

# multicomp PRO

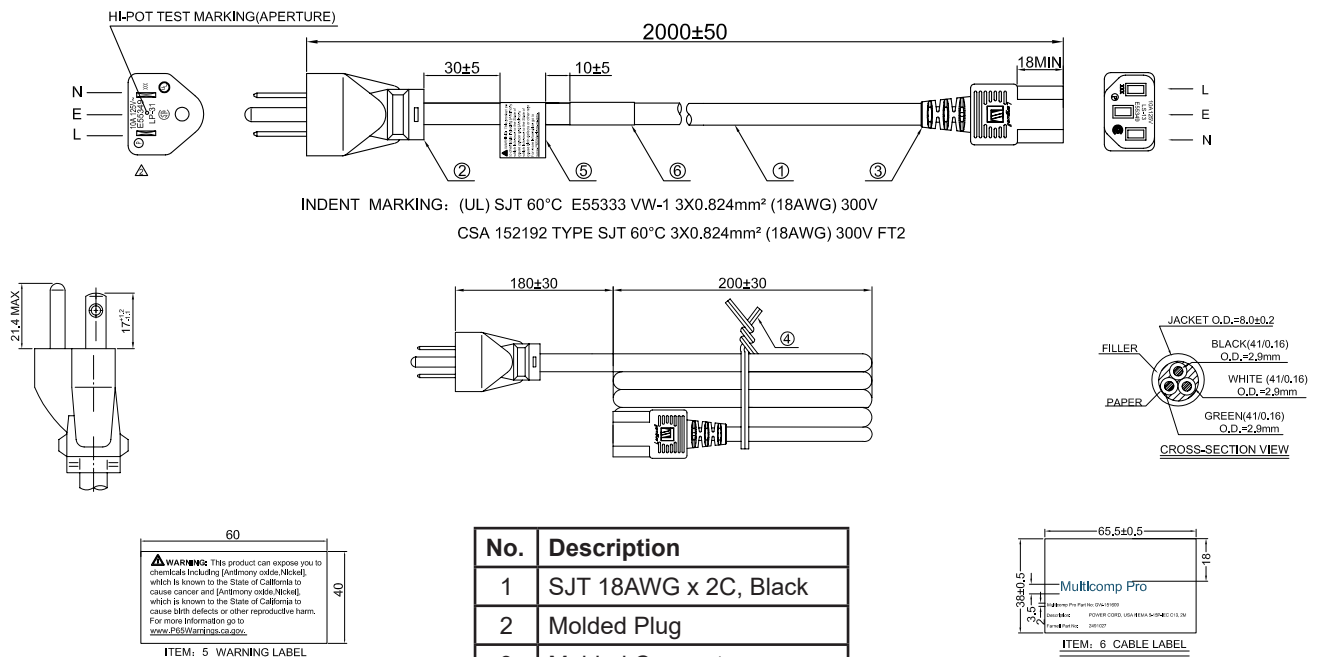
## RoHS Compliant



### Specifications:

Cable Length - Imperial	: 6.6 Ft
Cable Length - Metric	: 2m
Connector Type A	: Mains Plug, Swiss
Connector Type B	: IEC 60320 C13
Jacket Colour	: Black
Cord Type	: SJT
Shielding Material	: PVC
Insulation (Single or Double)	: Single
Insulation Material	: PVC
Conductor Type	: Annealed Soft Bare copper
Number of Conductors	: 3
Conductor Size	: 18AWG
Conductor Construction	: 41/0.16
Cord Jacket Diameter	: 8 ±0.2
Voltage Rating	: 125V
Current rating	: 10A
Temperature Rating	: 60°C

### Diagram



Dimensions : Millimetres  
Tolerance: ±50mm

Newark.com/multicomp-pro  
Farnell.com/multicomp-pro  
Element14.com/multicomp-pro

# multicomp PRO

**Notes:**

1. Cable : The cord shall comply with UL62, 1581
2. Plug Type : NEMA 5-15P  
The plug shall comply with UL 817 and CSA C22.2 No.21-95m 42M
3. Connector : The Molded connector shall comply with IEC60320-1 Standards (C13 Connector)
4. The product shall be tested 100% for all safety electrical items

### Part Number Table

Description	Part Number
Power Cord, USA Nema 5-15P-IEC C13, 2m	GW-151609

**Important Notice :** This data sheet and its contents (the "Information") belong to the members of the AVNET group of companies (the "Group") or are licensed to it. No licence is granted for the use of it other than for information purposes in connection with the products to which it relates. No licence of any intellectual property rights is granted. The Information is subject to change without notice and replaces all data sheets previously supplied. The Information supplied is believed to be accurate but the Group assumes no responsibility for its accuracy or completeness, any error in or omission from it or for any use made of it. Users of this data sheet should check for themselves the Information and the suitability of the products for their purpose and not make any assumptions based on information included or omitted. Liability for loss or damage resulting from any reliance on the Information or use of it (including liability resulting from negligence or where the Group was aware of the possibility of such loss or damage arising) is excluded. This will not operate to limit or restrict the Group's liability for death or personal injury resulting from its negligence. Multicomp Pro is the registered trademark of Premier Farnell Limited 2019.