


PCN	Product Change Notification	De-22-09-0646	
Product	SMC	Date of Publication:	
		19.09.2022	

Title: SMC cable assembled IDC with optimized casing locking latch

Type of Notification: major (A) change

Type of Change:

- Design
- Material
- Other
- Packing / Shipping / Labeling
- Product Marketing
- Product termination
- Production location
- Production process
- Specification
- Test / Testing

Effective date:

01.10.2023

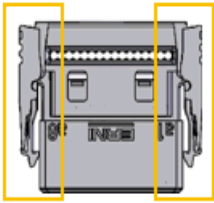
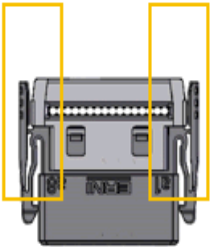
Originator: Thomas Oberschelp/BEE/Technik/EE/de/ERNI , +49 7166 50-

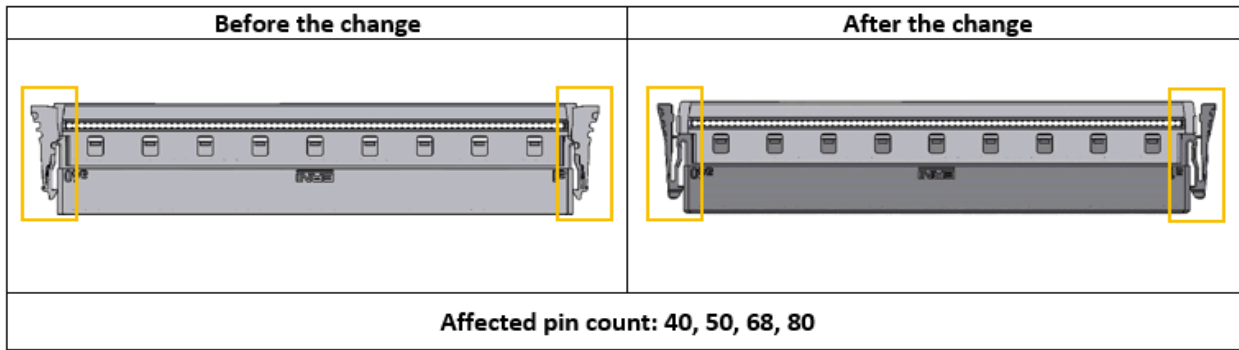
Reason and description of change:

Valued Customer,

In order to enhance the performance of SMC product reliability ERNI has decided to optimize the design of the housing locking latch of the IDC female connector.

For this reason, the geometry of the housing locking latch of the SMC IDC female connector has been optimized as follows, below pictures demonstrate the change of locking latch marked in orange.

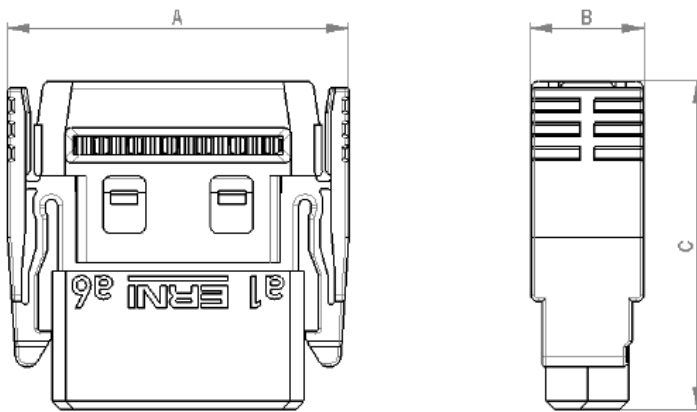
Before the change	After the change
	
<p>Affected pin count: 12, 16, 20,26, 32</p>	



The change enhances the insertion behavior. As a result, the new designed housing locking latch offers a higher housing retention force. Additionally, the design upgrade also improves the haptic and handling of the IDC female connector.

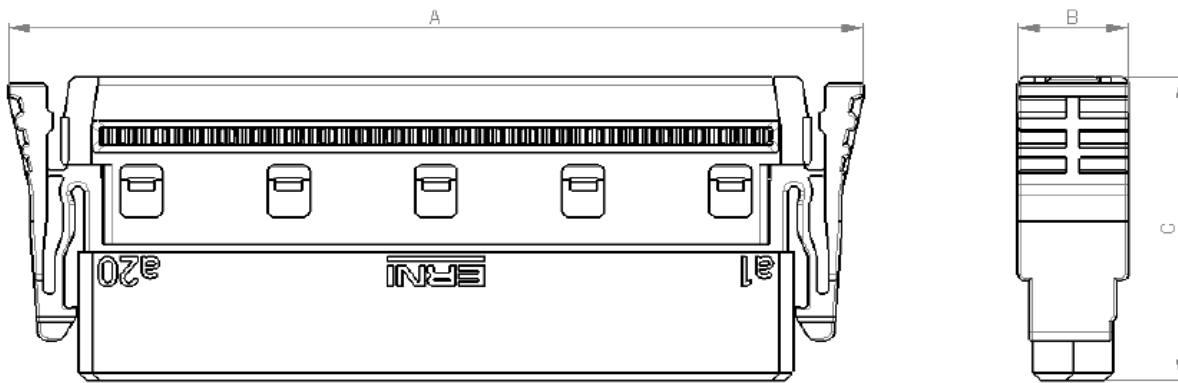
With regards to the design of the female housing, the size of the housing width has been kept the same as before.

Design 12-pin up to 32-pin



Pin count	Dimension A [mm] (nominal)		Dimension B [mm] (nominal)		Dimension C [mm] (nominal)	
	Before change	After change	Before change	After change	Before change	After change
12	12,69	12,70	4,20	4,20	12,30	12,30
16	15,23	15,24	4,20	4,20	12,30	12,30
20	17,77	17,78	4,20	4,20	12,30	12,30
26	21,58	21,59	4,20	4,20	12,30	12,30
32	25,39	25,40	4,20	4,20	12,30	12,30

Design 40-pin up to 80-pin



Pin count	Dimension A [mm] (nominal)		Dimension B [mm] (nominal)		Dimension C [mm] (nominal)	
	Before change	After change	Before change	After change	Before change	After change
40	32,53	32,52	4,20	4,20	12,30	12,30
50	38,88	38,87	4,20	4,20	12,30	12,30
68	50,31	50,30	4,20	4,20	12,30	12,30
80	57,93	57,92	4,20	4,20	12,30	12,30

The implementation of the change is planned for all types of SMC IDC female portfolio. At first, ERNI will start the design change at 16, 50 and 80 pin IDC female connector. Further types of SMC IDC female connectors will be implemented afterwards.

The new design is fully compatible with the old design. It doesn't require any change to the male connector.

This change will ensure reliability of the product and has no impact on fit or function of these products. It will be operated without a part number change.

The first implementation of 16, 50 and 80 pin IDC female connectors will be effective after 1st of October 2023.

Products Affected / Types

SMC

Part.-No:

214347	214349	294813	515739	515741
515742	005183	053979	163526	163783
163785	163815	163843	163847	163861
163890	166003	166113	166145	166232
166233	166248	166250	166255	166261
166305	166310	166311	166343	166374
166383	166389	166395	166410	166428

166458	166462	166465	166466	166467
166468	166469	166507	166606	166628
166776	166786	166813	166886	166920
166933	166965	166979	166987	166988
166994	166995	167017	167031	167055
167073	167074	167093	167094	167095
167145	167207	167282	167312	167343
167404	167451	167529	167530	167539
167540	167555	167556	167560	167573
167577	167584	167613	167614	167618
167624	167625	167635	167637	167647
167679	167680	167681	167691	167696
167719	167722	167782	167794	167803
167827	167828	167840	167846	167916
167926	167930	167942	167943	168064
168086	168128	168135	168136	168137
168139	168168	168176	168182	168226
168227	168248	168294	168301	168302
168303	168304	168305	168306	168307
168308	168310	168311	168349	168350
168351	168352	168353	168356	168357
168373	168393	168396	168418	168424
168425	168452	168453	168530	168567
168620	168660	168674	168707	168762
168767	168812	168835	168842	168850
168854	168855	168958	169000	169001
169080	169102	169118	169147	169151
169152	169162	169312	169319	169376
169384	169387	169395	169447	169475
169501	169506	169515	169520	169535
169560	169561	169570	169571	169704
169710	169759	169784	169803	169811
169881	169910	170014	170055	170059
170128	170134	170183	170249	170250
170261	170305	170318	170360	170377
170398	170422	170443	170455	170507
170509	170535	170543	170557	170569
170577	170614	170649	170671	170682
170683	170725	170728	170743	170772
170926	170927	170949	170951	170952
170998	173793	173794	173795	173902
173903	173990	175186	175199	175296
175303	175321	175324	175338	175340
175341	175347	175402	175403	175406

175408	175413	175438	175441	175460
175461	175462	175463	175468	175471
175484	175485	175500	175528	175534
175560	175587	175601	175608	175610
175615	175622	175627	175654	175655
175656	175665	175666	175669	175676
175677	175687	175707	175716	175725
175746	175755	175756	175776	175779
175795	175822	175829	175858	175939
175978	175992	176060	176067	176075
176124	176125	176150	176203	176204
176218	176219	176227	176228	176269
176270	176288	176302	176303	176310
176311	176315	176342	176347	176348
176377	176397	176398	176399	176400
176401	176430	176441	176490	176496
176525	176528	176536	176537	176540
176561	176565	176594	176609	176679
176680	176699	176700	176701	176817
176818	176820	176837	176864	176866
176890	176913	176940	176967	177005
177043	177044	177046	177065	177090
177091	177098	177123	177156	177161
177162	177163	177210	177212	177220
177229	177239	177271	177284	177285
177299	177303	177304	177356	177372
177373	177459	177460	177461	177476
177508	177509	177514	177543	177547
177555	177562	177579	177587	177598
177599	177610	177657	177658	177672
177733	177738	177758	177761	177783
177793	177834	177837	177845	177846
177847	177849	177861	177862	177870
177887	177891	177908	177914	177925
177936	177938	177940	177941	177942
177967	177970	178004	178019	178020
178021	178038	178039	178149	178150
178186	178327	178336	178393	178395
178403	178409	178420	178460	178483
178489	178522	178530	178681	178796
178797	178865	178866	178867	178868
178869	178870	178871	178872	178873
178881	178882	178883	178884	178892
178893	178894	178908	178909	178910

178911	178912	178913	178914	178915
178916	178917	178918	178940	193315
193317	193484	193703	193793	193891
193892	193893	193985	373999	838011
838013	838014	838015	838022	838025
838026	838035	838044	838055	838056
838058	838060	838062	838063	838064
838065	838067	838074	838076	838079
838081	838084	838095	838107	838108
838112	838126	838132	838135	838137
838141	838144	838148	838153	838154
838155	838158	838159	838165	838170
838178	838185	838192	838197	838198
838199	838200	838201	838203	838204
838205	838206	838207	838209	838212
838215	838215	838216	838218	838220
838221	838222	838224	838228	838231
838232	838235	838236	838237	838246
838248	838249	838250	838251	838252
838254	838256	838261	838262	838272
838280	838284	838285	838286	838297
838298	838299	838300	838301	838303
838304	838305	838306	838311	838312
838316	838317	838318	838319	838323
838325	838334	838335	838336	838337
838343	838344	838347	838353	838359
838366	838367	838368	838369	838371
838373	838381	838382	838385	838387
838388	838393	838394	838395	838396
838399	838400	838403	838408	838412
838415	838443	838450	838451	838458
838460	838464	838468	838474	838482
838484	838485	838489	838490	838491
838492	838496	838497	838498	838499
838500	838511	838518	838520	838524
838525	838526	838528	838529	838530
838532	838535	838537	838541	838542
838543	838545	838548	838553	838556
838557	838558	838559	838561	838565
838566	838568	838569	838570	838571
838579	838580	838581	838582	838584
838587	838588	838589	838590	838591
838592	838594	838595	838598	843538
843539	843615	843646	843647	843652

843864	843865	843867	843868	843869
843870				

Reference Documents available at :

<http://www.erni.com>

Additional information, samples etc., on request

PCN Revision History:

Date of Revision:	Revision Number:	Reason:
23.09.2022	1	