

Features

- Universal Input 90~264V AC
- Direct UK Fixed Plugtop Adapters
- Approved to CE, RoHS
- Safety standards to EN 60950
- Single Output 12V DC
- OVP, OCP, OTP, SCP



Ideal Power's 15DYS605-xyW-5 6W AC/DC External Adapter UK Plugtop Power Supply (PSU) Series are certified to CE, RoHS & EN 60950 Standards and comply with Efficiency Regulations. These are primarily used in ITE, Audio & Video Industries and customised solutions are available upon request.

Models

Model Number	Output Voltage	Output Current	Output Power	Efficiency
15DYS605-120050W-5	12V DC	0.5A	6W	78.88%

Input Data

	Min	Typical	Max	Units	Notes
Input Voltage	90	--	264	V AC	100-240VAC +/- 10%
Input Frequency	50	--	60	Hz	
Input Current	--	0.2	--	A	
Inrush Current	--	50	--	A	
Leakage Current	--	--	0.25	mA	

Output Data

	Min	Typical	Max	Units	Notes
Output Current Range	0.0	--	0.5	A	
Output Voltage Range	11.4	--	12.6	V	
Ripple & Noise	--	--	150	mVpp	
Over Current Protection	Typically, 115-135% of Rated Current				
Short Circuit Protection	Continuous short circuit proof. Will recover if fault condition is removed				
Over Voltage Protection	Will recover if fault condition is removed				

Environmental Data

	Min	Typical	Max	Units	Notes
Operating Temperature	0	--	+40	°C	
Storage Temperature	-20	--	+80	°C	
Operating Humidity	10	--	90	%	non condensing
Relative Humidity	5	--	95	%	non condensing

Other Information

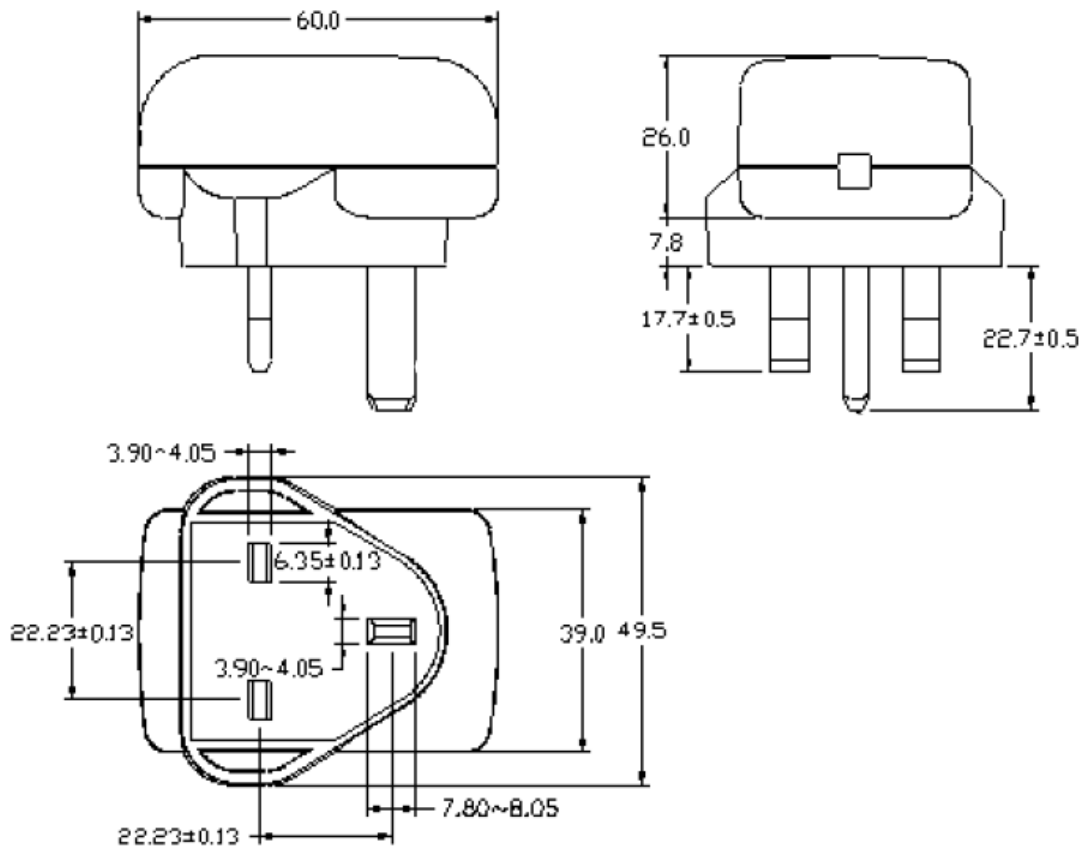
	Min	Typical	Max	Units	Notes
Dielectric Strength	Input to Output Terminal: 4242Vdc 3Sec 5mA. Input to Case: 4242Vdc 3Sec ≤5mA.				
MTBF	25,000 hrs at 25°C				
Weight	78g				
Dimensions	60 x 49.5 x 56.5mm				
Output Cord	DCD1290,24AWGUL2468,1.5MBlack				
Output Connector	Output Connector: Lead O/P~OD: 2.1mm, ID: 5.5m,Length:12.0mm (H).				

Safety Approvals

	Safety Standards
Safety Standards	EN 60950
Approvals	CE, RoHS

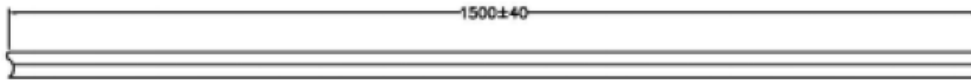
AC – DC

Mechanical Drawing



Cord Drawing

Semi-finished products wire:



wire specification:

1, UL 2168 21AWG flatwire printed black nords outside. (lettering)

2, Polarity: Stripe link anode, Lettering link cathode.

DC plug&SR Tensile Strength:

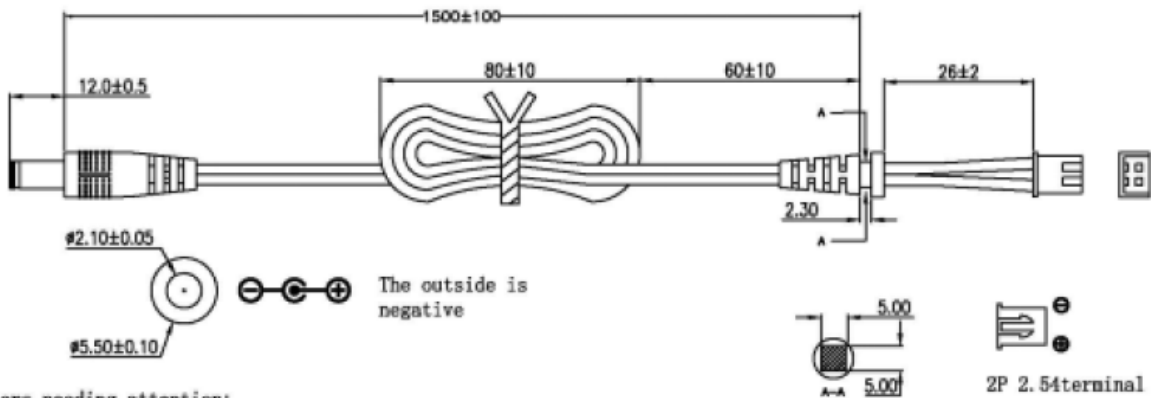
Attach a 5Kg weight to the Cable,

Strain relief Bending Test:

Apply a 200g to the Cable,

Swing the 200° , 45 cycle/min, 2000 cycles.

finished wire:



Matters needing attention:

1, DC PLUG: $\phi 2.1 * \phi 5.5 * 12.0$ Fork hook (Black rubber core)

2, SR SIZE: $5.0 * 5.0 * 2.3$

Label

