

Datasheet - AZ 15/16-B1

Safety switch with separate actuator / AZ 15 / Actuator



(Minor differences between the printed image and the original product may exist!)

Ordering details

Product type description	AZ 15/16-B1
Article number	1083036
EAN code	4030661070001

Global Properties

Product name	Gerader Betätiger B1
Weight	15 g

Mechanical data

Design of actuators	straight, rigid
Minimum actuating radius	160 mm

notice

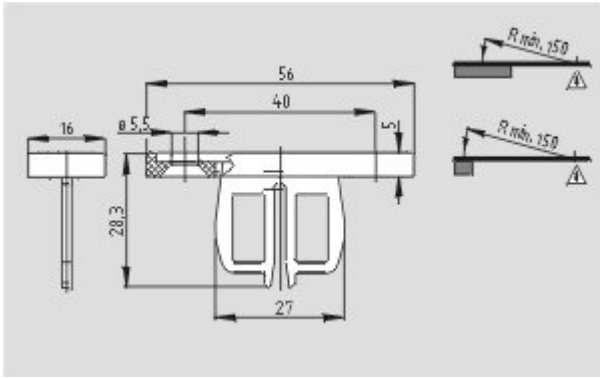
Minimum actuating radius on hinged guards 150 mm

The axis of the hinge should be 5 mm above the top edge of the safety switch and in the same plane

Documents

Mounting and wiring instructions (de, en, fr, it, es, jp) 267 kB, 29.08.2006
http://127.0.0.1/Bilddata/AZ/Pdf/Az15_16/montage/m_z15p02.pdf

Images



Dimensional drawing (miscellaneous)

K.A. Schmersal GmbH, Möddinghofe 30, D-42279 Wuppertal

The data and values have been checked thoroughly. Technical modifications and errors excepted.

Generiert am 21.04.2011 - 12:42:56h Kasbase 1.4.7 DBI