



DATA SHEET

44423229

EPIC® MHS Bus 1x(4) CM

Valid from:
22.02.2017

Description

- Shielded modul for data and signal transmission
- Crimp connection for permanent vibration-proof contact
- EPIC® MH system is mateable with the market standard
- The mix of different functions is one plug guarantees high flexibility



General characteristics

Contact type	plug
Number of contacts	4
Mating cycles	500
Material	PA
Inflammability class acc. with UL 94	V0
Pollution degree	3
Temperature range	-40° C to +125° C
Termination methods	crimp termination: 0.14 – 2.50 mm ²

Electrical characteristics

Rated voltage	50 V
Rated impuls voltage	0.8 kV
Rated current	10 A

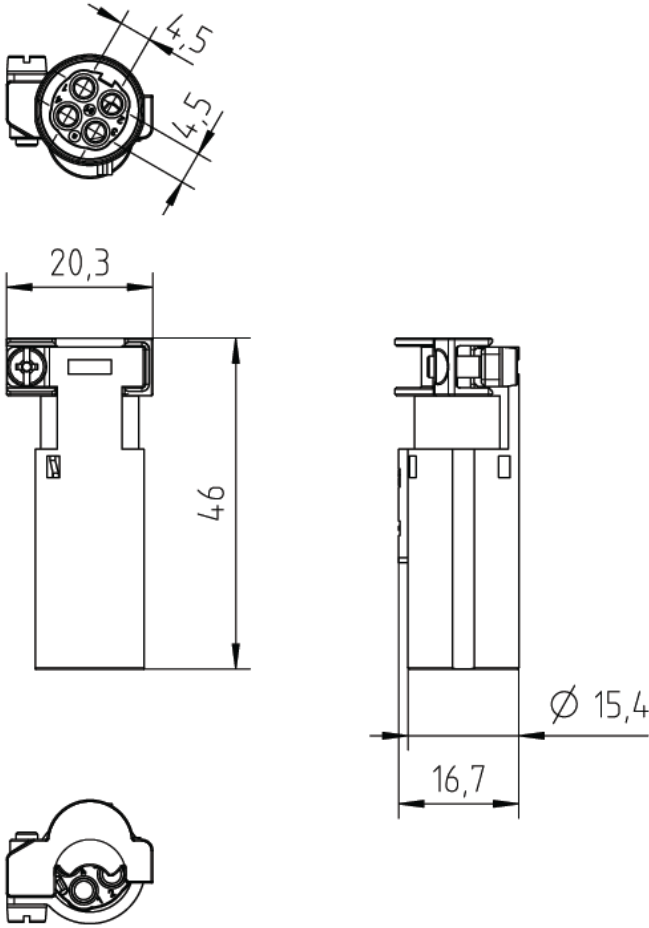
Standards/Approvals

Fire protection on railway vehicles	according EN 45545-2 requirement sets R22 and R23 hazard level HL1, HL2 and HL3
-------------------------------------	---



DATA SHEET	44423229
EPIC® MHS Bus 1x(4) CM	Valid from: 22.02.2017

Drawings



Note

Photographs are not to scale and do not represent detailed images of the respective products.

Creator: MANA2/PDP Released: IVSE1/PDP	Document: DB44423229EN Version: 00	Page 2 of 2
---	---------------------------------------	-------------

We reserve all rights according to DIN ISO 16016.