



The Timken Company

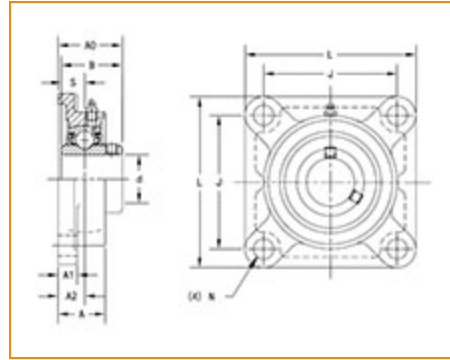
4500 Mt Pleasant St. NW

N. Canton, OH 44720

Phone: (234) 262-3000

E-Mail: CustomerCAD@timken.com • **Web site:** www.timken.com

Part Number UCF208, UCF 200 Four-Bolt Flanged Housed Units - Set Screw Locking



[Specifications](#) | [Dimensions](#) | [Basic Load Ratings](#)

Specifications

Bearing Number	UC208
Shaft Size d	40 mm
UPC Code	087796073678
Locking Style	Set Screw Locking
Housing Construction	Four-Bolt Square Flange

Dimensions

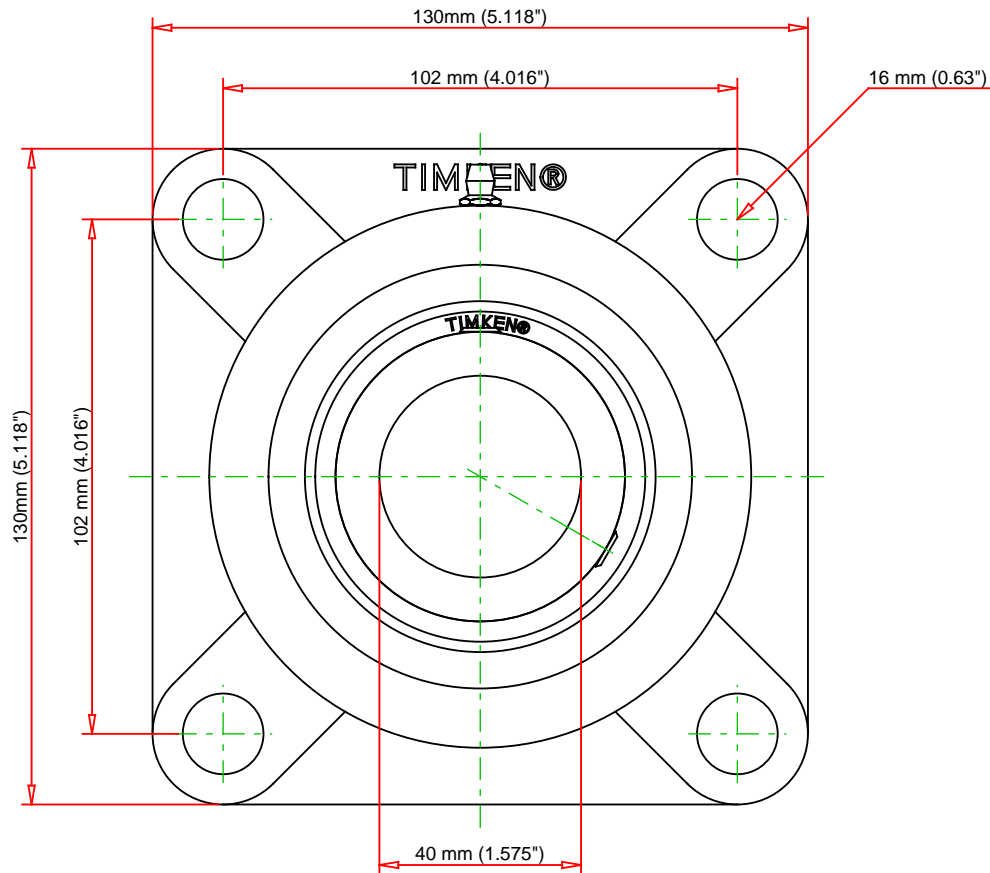
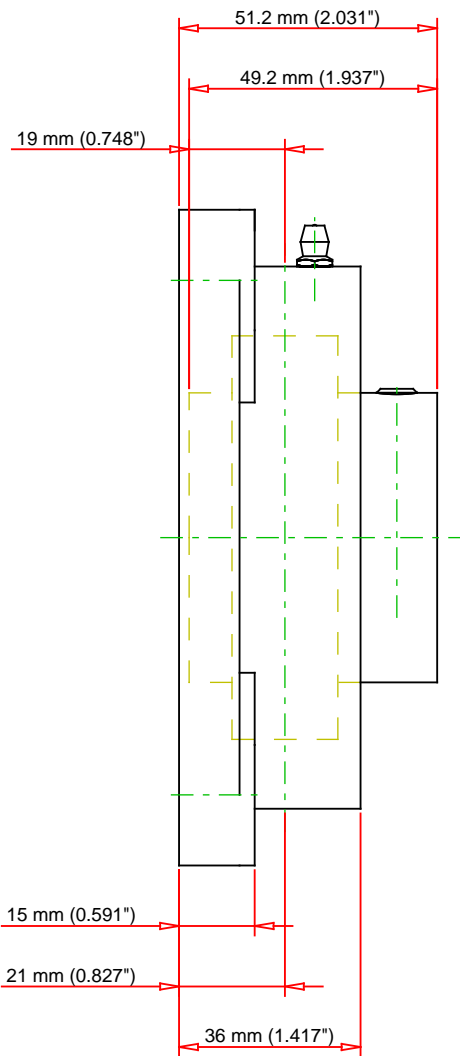
Total Length L	130 mm 5.118 in
-----------------------	--------------------



Housing Width A	36 mm 1.417 in
Bolt Hole Spacing J	102 mm 4.016 in
Bolt Hole Size N	16 mm 0.63 in
Flange Thickness A1	15 mm 0.591 in
Center of Bearing from Housing End A2	21 mm 0.827 in
Inner Ring Width B	49.2 mm 1.937 in
Center of Bearing from Bearing End S	19 mm 0.748 in
Dimension A0	51.2 mm 2.031 in
Bolt Size	M14
Grease Nipple Size	A-1/4-28UNF

Basic Load Ratings

Static Load Rating	17800 N 4002 lbf
Dynamic Load Rating	29100 N 6542 lbf



Bearing Number	UC208			
Load Ratings - C _r	6542	lbf	29100	N
Load Ratings - C _{0r}	4002	lbf	17800	N
Weight	4.2	lb	1.9	kg
Bolt Size	M14			

TIMKEN

THE TIMKEN COMPANY
 NORTH CANTON, OHIO USA

UCF208
 UCF 200 Four-Bolt Flanged Housed Units
 - Set Screw Locking

Every reasonable effort has been made to ensure the accuracy of the information contained in this writing, but no liability is accepted for errors, omissions or for any other reason.

FOR DISCUSSION ONLY