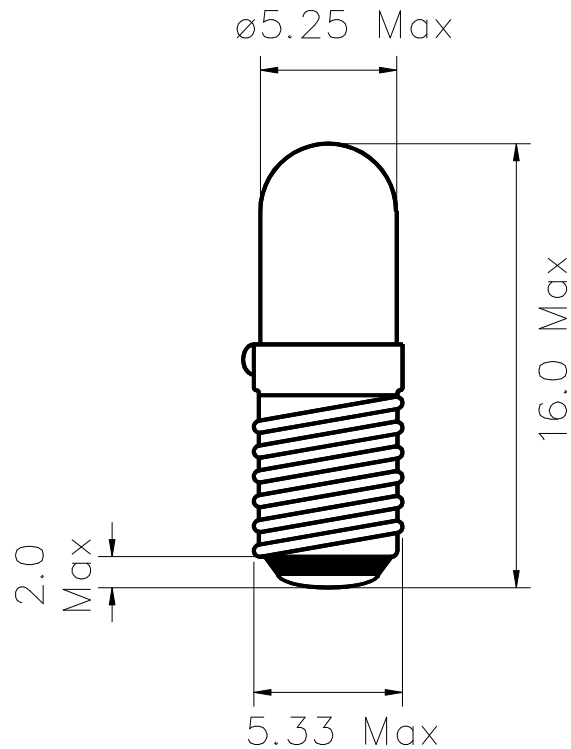


Part Number:

N9951906

Type	Size	Rating	Description
Incandescent	T5	24V 40mA	T-1½ Midget Screw lamp



Dimensions in millimetres

TEST VOLTS	CURRENT (mA)			LIGHT OUTPUT (Lm)			LIFE Hours
	Min.	Nom.	Max.	Min.	Nom.	Max.	
24	36	40	44	2.2	3.0	3.8	10,000

Notes:

- 1 **Base Type** E5 in accordance with BS EN 60061
- 2 **Filament Shape** C-2F
- 3 **Lamp Marking** N9951906 or 24V 40mA
- 4 **Environmental** RoHS & REACH SVHC compliant