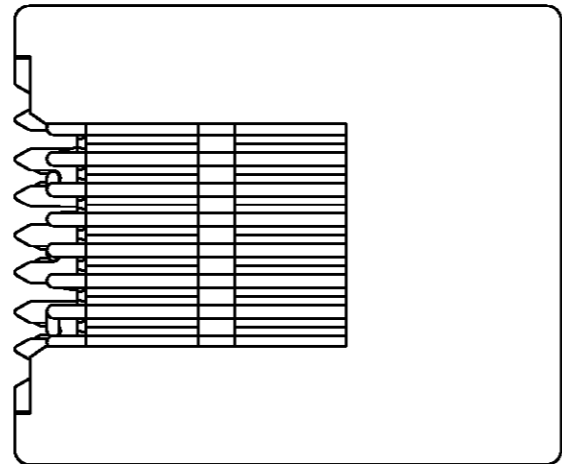
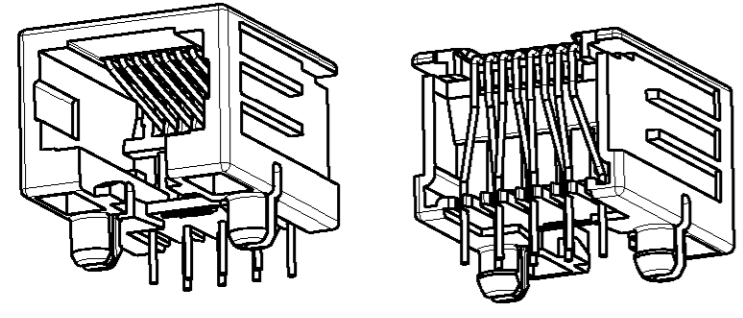
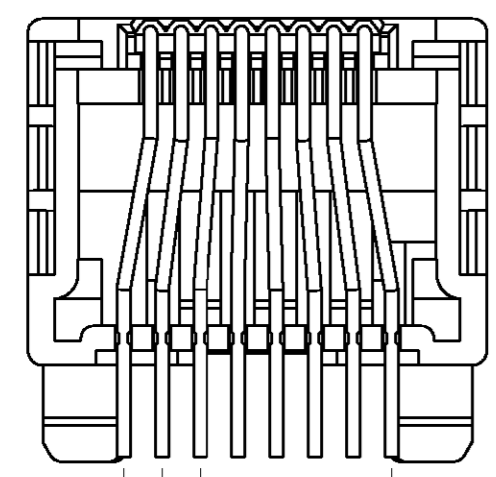


THIS DRAWING IS UNPUBLISHED. RELEASED FOR PUBLICATION DATE: -  
 © COPYRIGHT 97 By Tyco Electronics Nederland B.V. ALL RIGHTS RESERVED.

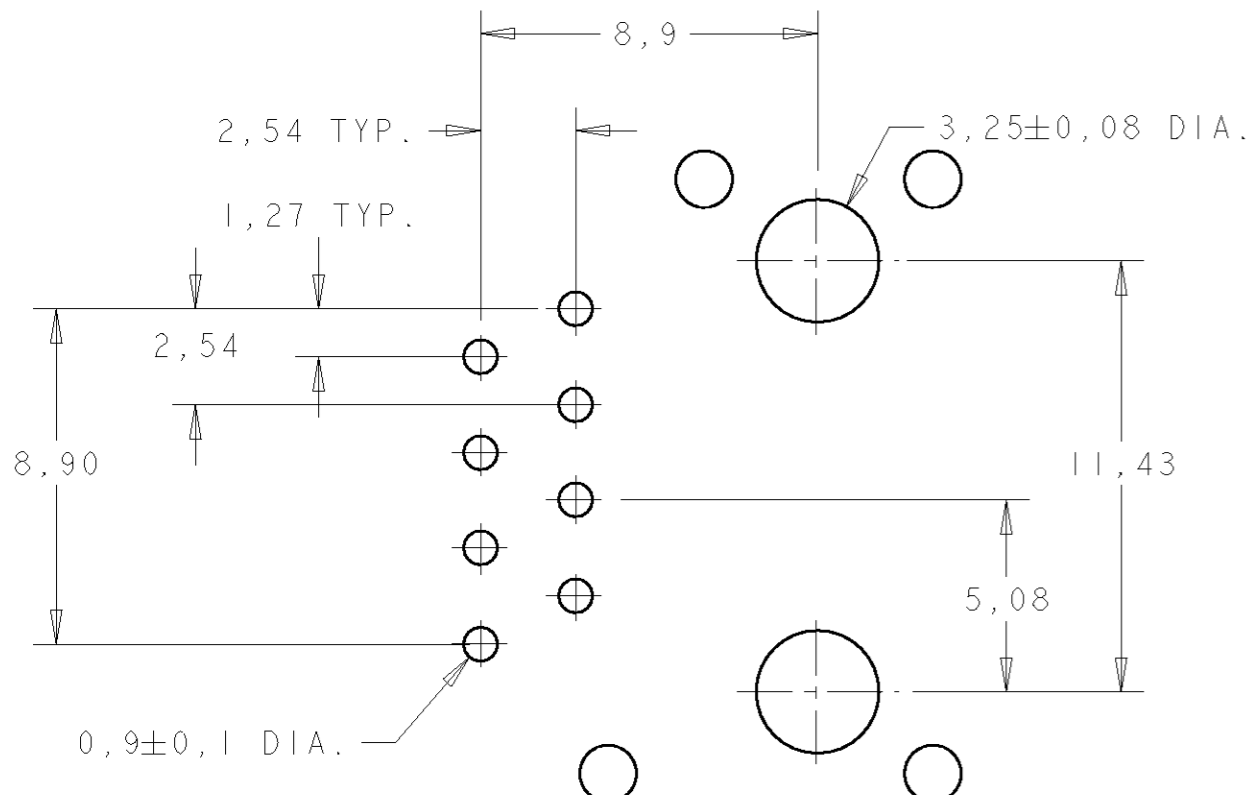
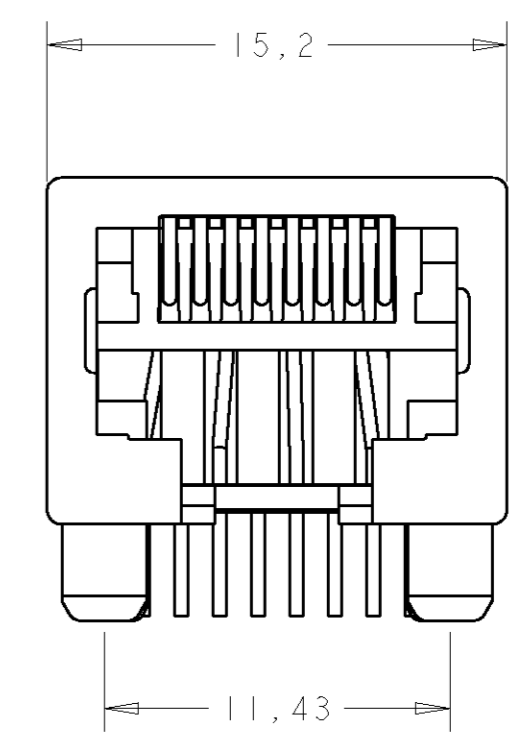
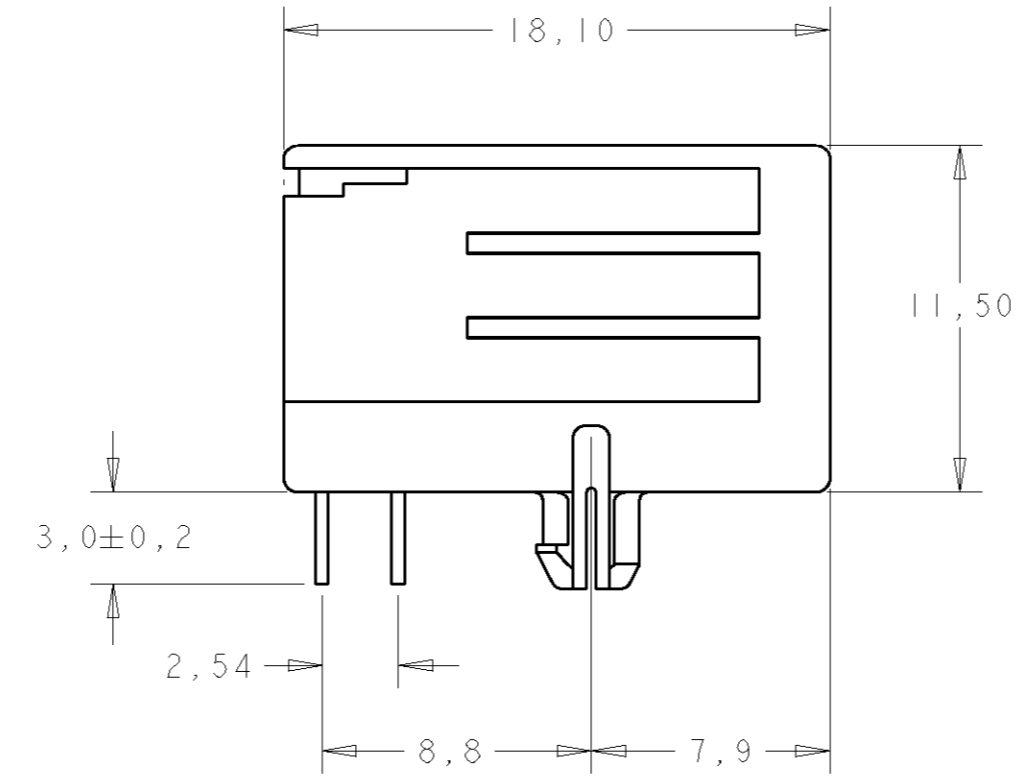
LOC	DIST	REVISIONS			
		LTR	DESCRIPTION	DATE	APVD
H	-	A	EH10-0183-05	10 FEB 05	JB
		-	-	-	-
		-	-	-	-
		-	-	-	-



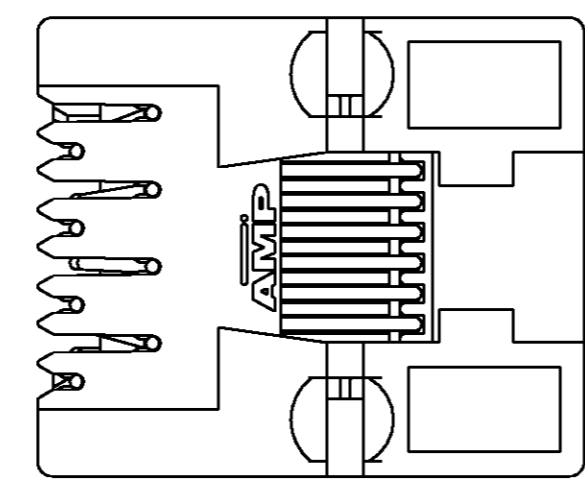
NOTE:  
 1 TOLERANCE UNLESS OTHERWISE SPECIFIED: ±0,15.



2,54  
 1,27 TYP.  
 8,9



PRINTED CIRCUIT BOARD LAYOUT  
 [VIEW SHOWN IS CIRCUIT (NONCOMPONENT) SIDE OF BOARD.]  
 PRINTED CIRCUIT BOARD THICKNESS: 1,6 mm NOMINAL.  
 TOLERANCE UNLESS OTHERWISE SPECIFIED: ±0,05



200 PIECES IN A TRAY		IN CONTACT AREA: 0,15µm MIN. SEL: GOLD OVER 1,2µm MIN. NICKEL.	HOUSING COLOR: BLACK PBT: UL 94V-0	1-1705951-1
TAPE MOUNTED 700 PCS./REEL	8 POS. / 8 CONTACTS	SOLDER FINISH: 2,5µm MIN. TIN OVER 1,2µm MIN. NICKEL.	CONTACT INSERT: PBT: UL 94V-0 CONTACTS: PH BRONZE	1705951-1
PACKAGING	REMARKS	FINISH	MATERIAL	ORDER NUMBER

THIS DRAWING IS A CONTROLLED DOCUMENT FOR Tyco Electronics Nederland B.V.  
 IT IS SUBJECT TO CHANGE AND THE CONTROLLING ENGINEERING ORGANIZATION SHOULD BE CONTACTED FOR THE LATEST REVISION.

DIMENSIONS:	TOLERANCES UNLESS OTHERWISE SPECIFIED:
mm	
0 PLC	± -
1 PLC	± -
2 PLC	± -
3 PLC	± -
4 PLC	± -
ANGLES	± 0,2°
MATERIAL	FINISH

DWN	J.V.D.HEIJDEN	<b>Tyco Electronics Nederland B.V.</b> 's-HERTOGENBOSCH, THE NETHERLANDS		
CHK	P.WILLEMS.			
APVD	J.BROEKSTEEG.			
PRODUCT SPEC	-			
APPLICATION SPEC	114-19019	NAME		
WEIGHT	-	<b>MODULAR JACK SIDE ENTRY, 8 POS.,          FOR PRINTED CIRCUIT BOARD.</b>		
		SIZE	CAGE CODE	DRAWING NO
		A2	00779	1705951
		SCALE	4:1	SHEET 1 OF 1 REV A