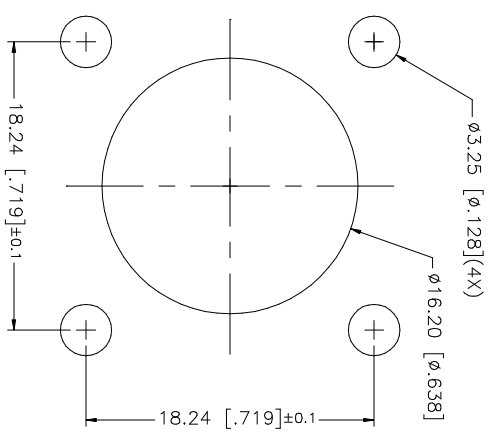
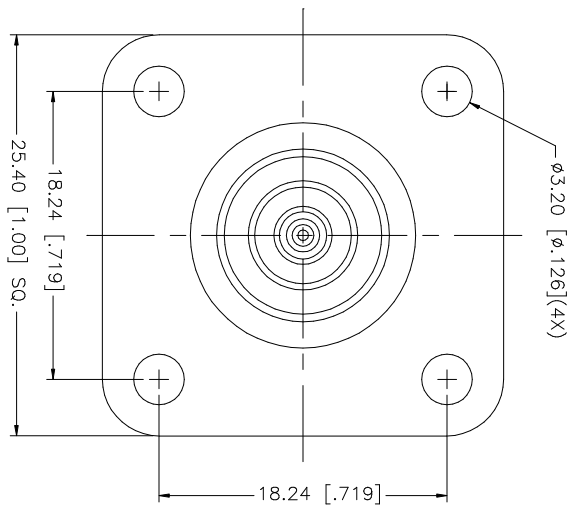
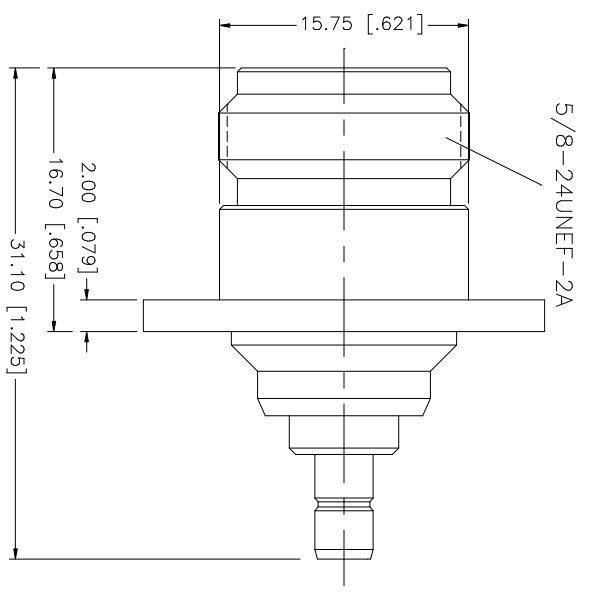


REV.	DATE	DESCRIPTION
NC	02/02/04	INITIAL RELEASE



NO.	DESCRIPTION	MATERIAL	FINISH	QTY	UNLESS OTHERWISE SPECIFIED DIMENSIONS ARE IN MILLIMETERS. DIMENSIONS IN [] ARE IN INCHES AND FOR CUSTOMER REFERENCE ONLY. TOLERANCES FOR MILLIMETERS ARE:	DO NOT SCALE DRAWING
8					0.5 - 8mm ± 0.20mm	UNLESS OTHERWISE SPECIFIED DIMENSIONS ARE IN MILLIMETERS. DIMENSIONS IN [] ARE IN INCHES AND FOR CUSTOMER REFERENCE ONLY. TOLERANCES FOR MILLIMETERS ARE: 0.5 - 8mm ± 0.20mm 8 - 30mm ± 0.40mm 30 - 120mm ± 0.50mm UNLESS OTHERWISE SPECIFIED TOLERANCES FOR INCHES ARE: .020 - .315 = ± 0.002" .315 - 1.180 = ± 0.015" 1.180 - 4.724 = ± 0.020"
7					UNLESS OTHERWISE SPECIFIED TOLERANCES FOR MILLIMETERS ARE:	
6					0.5 - 8mm ± 0.20mm	
5					8 - 30mm ± 0.40mm	
4					30 - 120mm ± 0.50mm	
3	CONTACT PIN	PHOS. BRONZE	GOLD	1	UNLESS OTHERWISE SPECIFIED TOLERANCES FOR INCHES ARE:	
2	INSULATOR	TEFLON	NATURAL	1	.020 - .315 = ± 0.002"	
1	BODY	BRASS	NICKEL	1	.315 - 1.180 = ± 0.015" 1.180 - 4.724 = ± 0.020"	
	DESCRIPTION					

Amphenol Connex

N JACK TO SMB JACK PANEL ADAPTER

APPROVALS	DATE
DRAWN G.R.S.	02/02/04
CHECKED	
ISSUED	
SHEET 1 OF 1	

CAD FILE	C:/242/242198.DWG
DWG. NO.	242198
REV.	NC
SIZE	A
SCALE	NA