

SUPPRESSOR FOR CONTACTORS

Diode, 24...240 VDC, 15 W

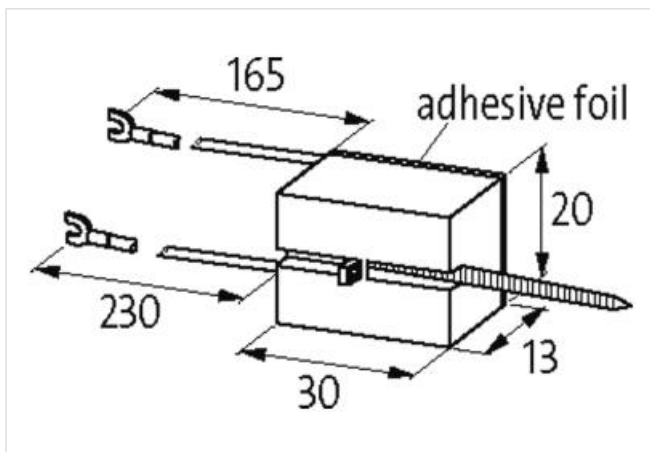
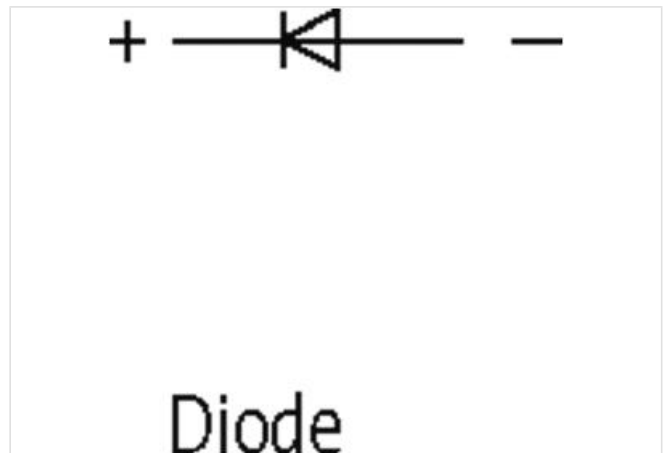
24...240 V DC

Diode

For other configurations and voltages, please inquire.

[Link to Product](#)

Illustration



Product may differ from Image



Commercial data

| | |
|-------------|----------|
| ECLASS-6.0 | 27371013 |
| ECLASS-6.1 | 27371013 |
| ECLASS-7.0 | 27371013 |
| ECLASS-8.0 | 27371013 |
| ECLASS-9.0 | 27371013 |
| ECLASS-10.1 | 27371013 |

| | |
|-----------------------|---------------|
| ECLASS-11.1 | 27371013 |
| ECLASS-12.0 | 27371013 |
| ETIM-5.0 | EC002498 |
| customs tariff number | 85363010 |
| GTIN | 4048879018753 |
| Packaging unit | 1 |

Compatibility | Compatible with

| | |
|------------------------|-----------|
| Appropriate contactors | universal |
|------------------------|-----------|

Electrical data

| | |
|--------------------|---------|
| Damping factor | 1.5× UN |
| Holding power max. | 15 W |

Electrical data | Input

| | |
|-----------------------|-------|
| Input voltage AC min. | 24 V |
| Input voltage AC max. | 240 V |

Installation | Connection

| | |
|------------------------|---------------------------|
| Connection information | self-securing cable forks |
|------------------------|---------------------------|

Device protection | Media

| | |
|------------------|-----------------|
| Flame resistance | flame retardant |
|------------------|-----------------|

Mechanical data | Material data

| | |
|-------------------------------------|---------|
| Combustibility class housing (UL94) | V-0 |
| Material housing | Plastic |

Mechanical data | Mounting data

| | |
|--------|-------|
| Height | 30 mm |
| Width | 20 mm |
| Depth | 13 mm |

Environmental characteristics | Climatic

| | |
|----------------------------|--------|
| Operating temperature min. | -20 °C |
| Operating temperature max. | 70 °C |