

## MIRROR COLUMNS

YXC-□□□□-M□□

### MIRROR COLUMNS FOR LIGHT CURTAINS AND ACCESS CONTROL BARRIERS

#### MAIN FEATURES

- Robust protective profile, attractive design
- Special spring elements automatically reset position in case of mechanical impact
- Complete assembly kit for both device and floor mounting included
- Easy to mount: vertical and axial adjustments can be quickly completed in just a few steps
- One-piece mirror or exchangeable and separately adjustable individual mirrors in accordance with EN 999

#### APPLICATION AREA

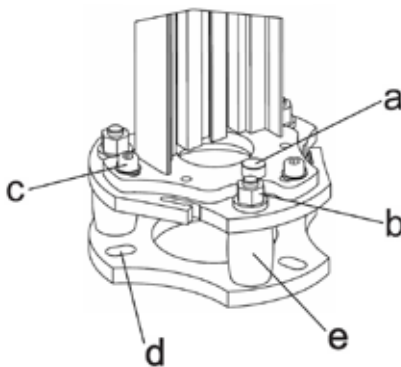
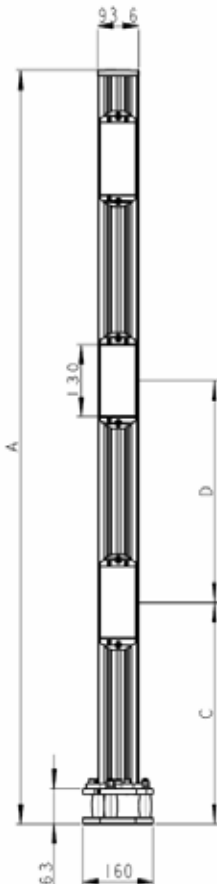
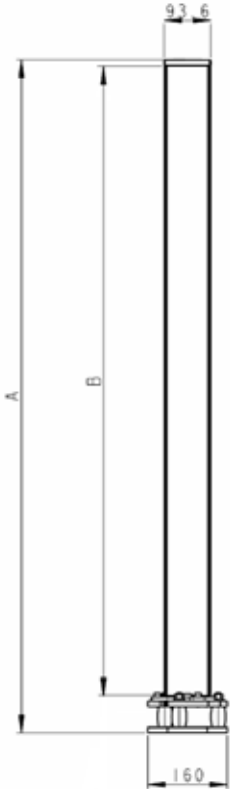
Multi-sided safeguarding of danger zones in combination with safety light curtains and access control barriers, such as Safetinex YBB and YCA models

#### TECHNICAL DATA

Housing	Aluminum profile housing and steel floor plates
Surface	Powder-varnished, yellow (RAL 1021)

#### PART REFERENCES

Single-mirror column	Total height (A) [mm]	Mirror height (B) [mm]	Multi-mirror column	Total height (A) [mm]	Beam gap (D) [mm]	Height lowest beam (C) [mm]
<b>YXC-1060-M11</b>	1060	974	<b>YXC-1360-M23</b>	1360	2 x 400	300
<b>YXC-1360-M11</b>	1360	1274	<b>YXC-1360-M24</b>	1360	3 x 300	300
<b>YXC-1660-M11</b>	1660	1574				
<b>YXC-1960-M11</b>	1960	1874				



- a = level
- b = vertical adjustment screws
- c = Allen screws to rotate the column
- d = 3 bore holes for floor braces (Ø 10 mm)
- e = plastic spring element with automatic retraction