

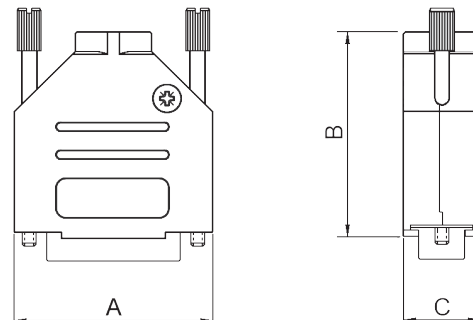
## TECHNICAL SPECIFICATIONS

**D-Sub Hood:**

Material:	Zinc, Nickel Plated
Operating Temperature:	-40°C to +120°C
Cable Entry:	Top Entry
Thumbscrews:	UNC 4-40 (Standard)
Cable O.D.:	Up to 11,5mm

**Female D-Sub Solder Cup:**

Insulator:	PBT, Black, UL94 V-0
Shell:	Steel, Tin Plated
Contact pins:	Copper Alloy
Stamped & Formed Pins	Class 3, 100 inserts min.
Machined Contact Pins:	Class 1, 500 inserts min.
Contact Plating:	Selective Gold over Nickel
Operating Temperature:	-55°C to +105°C
Withstanding voltage:	1000V for 1 minute
Insulator resistance:	1000MΩ min.



D-Sub-Hood

**Features:**

- Available in sizes 9-15-25-37
- Excellent EMI Shielding
- Re-openable
- Strain relief inserts ensure a secure termination
- Metal C-Clip clamp - suitable for foil cable with earth wire / ground wire.

Size DTCK	Dim A	Dim B	Dim C
9-way	31,0	39,5	15,0
15-way	39,5	41,5	15,0
25-way	53,5	48,5	15,0
37-way	71,0	53,0	15,0

**Ordering information:****Class 3 Sub-D Connector Kits (100 inserts min.)**

Size:	P/N - Kitted:	Product Code - FEMALE Conn. Kit
9-way	6355-0061-11	DTCK09-DBS-K
15-way	6355-0061-12	DTCK15-DBS-K
25-way	6355-0061-13	DTCK25-DBS-K
37-way	6355-0061-14	DTCK37-DBS-K

**Ordering information:****Class 1 Sub-D Connector Kits (500 inserts min.)**

Size:	P/N - Kitted:	Product Code - FEMALE Conn. Kit
9-way	6355-0061-31	DTCK09-DMS-K
15-way	6355-0061-32	DTCK15-DMS-K
25-way	6355-0061-33	DTCK25-DMS-K
37-way	6355-0061-34	DTCK37-DMS-K