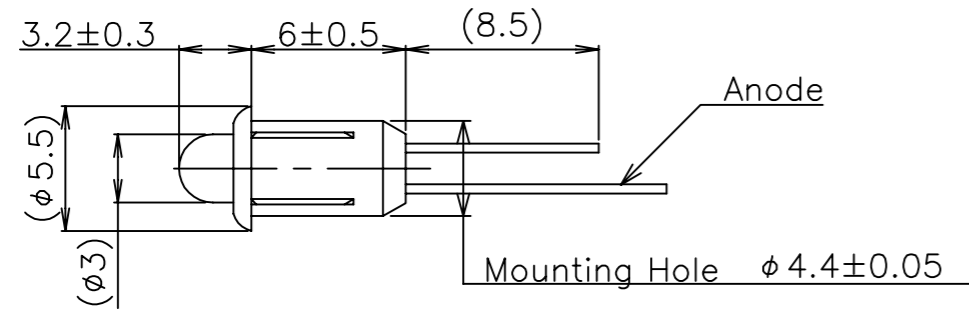


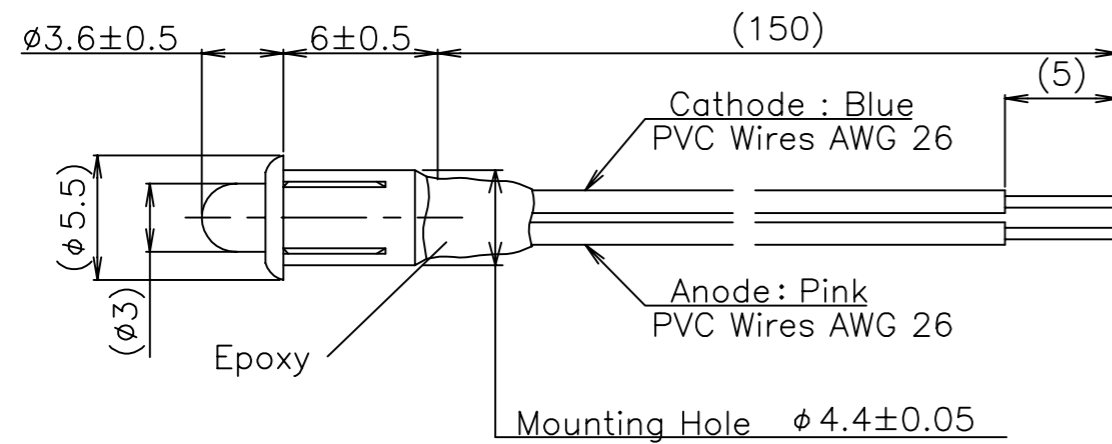
REVISIONS			
LET	DESCRIPTION	BY	DATE

MD-302(2021)R/G/Y



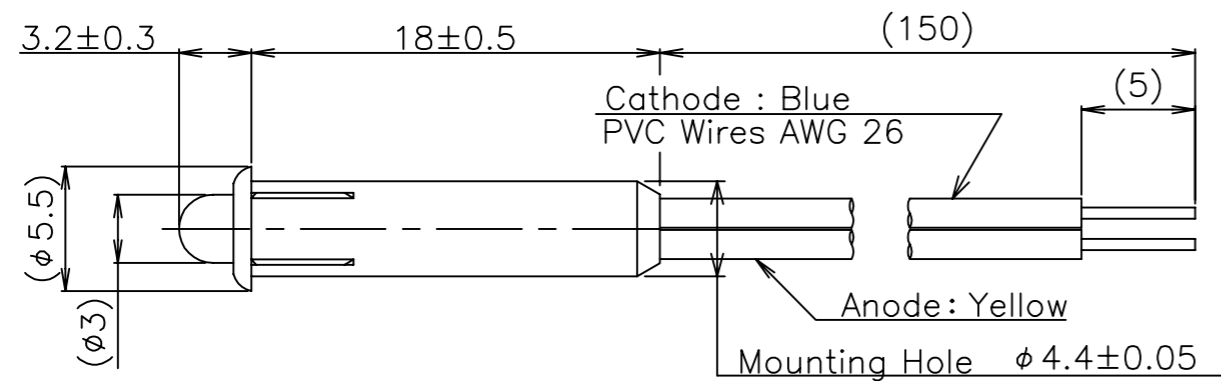
Part Number	Voltage (V)	Emitting color	Peak wave length λP(nm)	Forward Voltage @ 20mA (V)	
				[Min.]	[Max.]
MD-302R(2021)	Non Resistor	Red	630	1.5	2.4
MD-302G(2021)	Non Resistor	Green	570	1.7	2.6
MD-302Y(2021)	Non Resistor	Yellow	590	1.5	2.4

MD-303(2021)R/G/Y



Part Number	Voltage (V)	Emitting color	Peak wave length λP(nm)	Forward Voltage @ 20mA (V)		Anode(+) Color of the covered wire	Cathode(-) Color of the covered wire
				[Min.]	[Max.]		
MD-303R(2021)	Non Resistor	Red	630	1.5	2.4	Pink	Blue
MD-303G(2021)	Non Resistor	Green	570	1.7	2.6	Pink	Blue
MD-303Y(2021)	Non Resistor	Yellow	590	1.5	2.4	Pink	Blue

MD-323(2021)R/G/Y



Part Number	Voltage (V)	Emitting color	Peak wave length λP(nm)	Forward Voltage @ 20mA (V)		Anode(+) Color of the covered wire	Cathode(-) Color of the covered wire
				[Min.]	[Max.]		
MD-323R(2021)	Non Resistor	Red	630	1.5	2.4	Yellow	Blue
MD-323G(2021)	Non Resistor	Green	570	1.7	2.6	Yellow	Blue
MD-323Y(2021)	Non Resistor	Yellow	590	1.5	2.4	Yellow	Blue

SCALE	UNIT	MATERIAL			
3/1	m.m				
TITLE		DATE			
LED Indicator MD-302/303/323		210921	Oshino Lamps Limited SHINAGAWA, TOKYO, JAPAN		
DRAWN	CHECKED	APPROVED	D.W.G. NO.		REV.
T.I	T.H	T.I	100236-1		