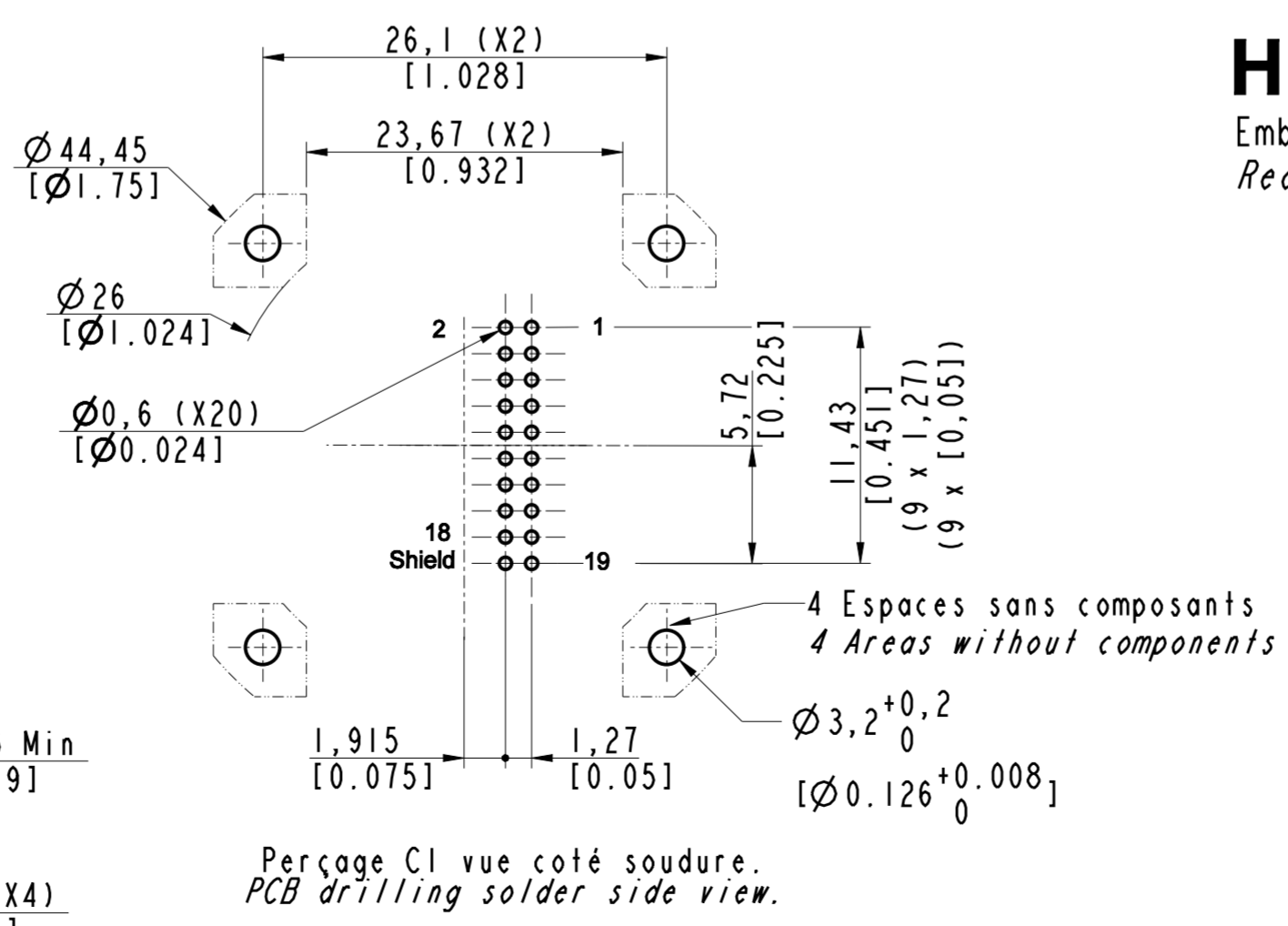
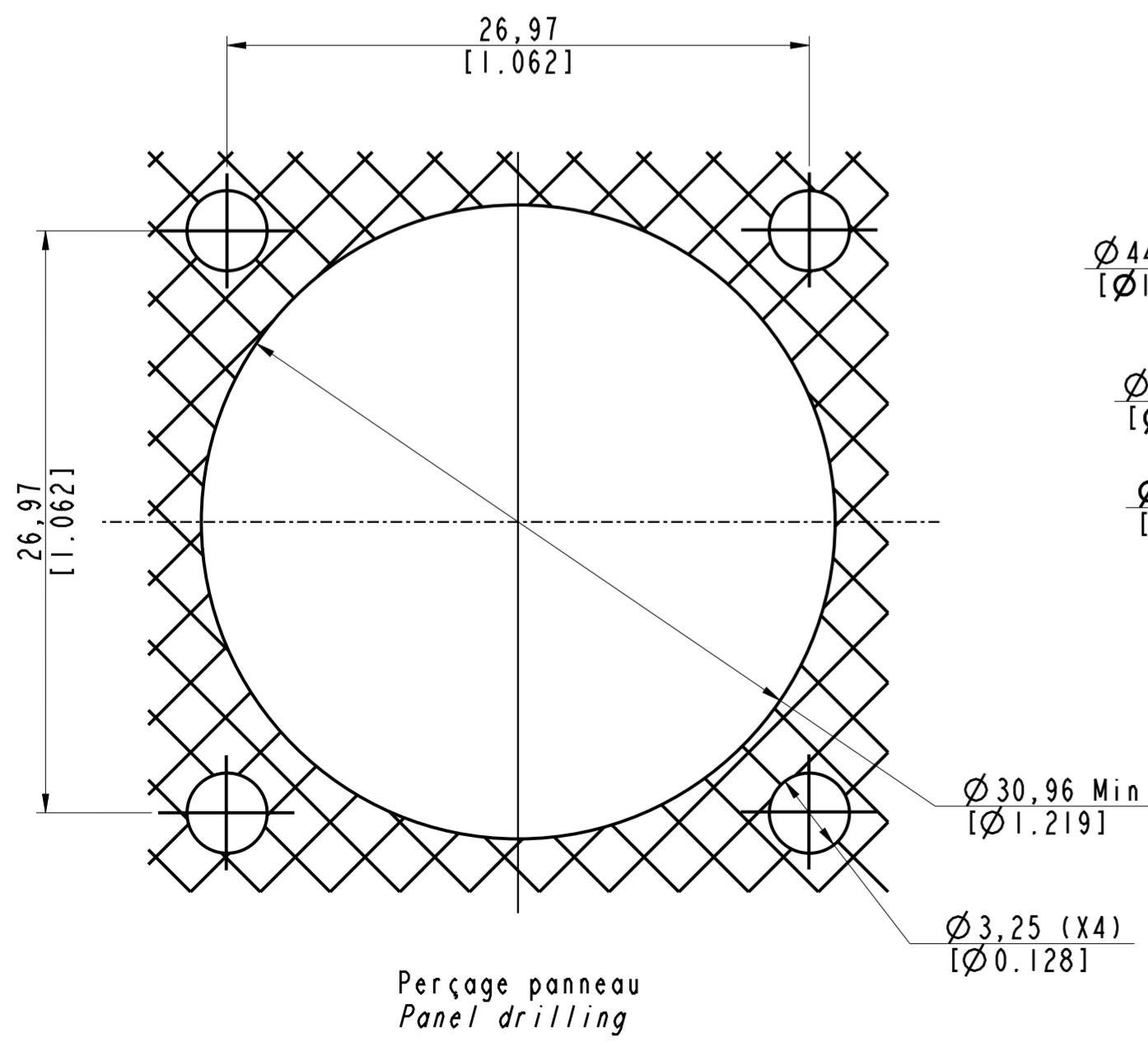
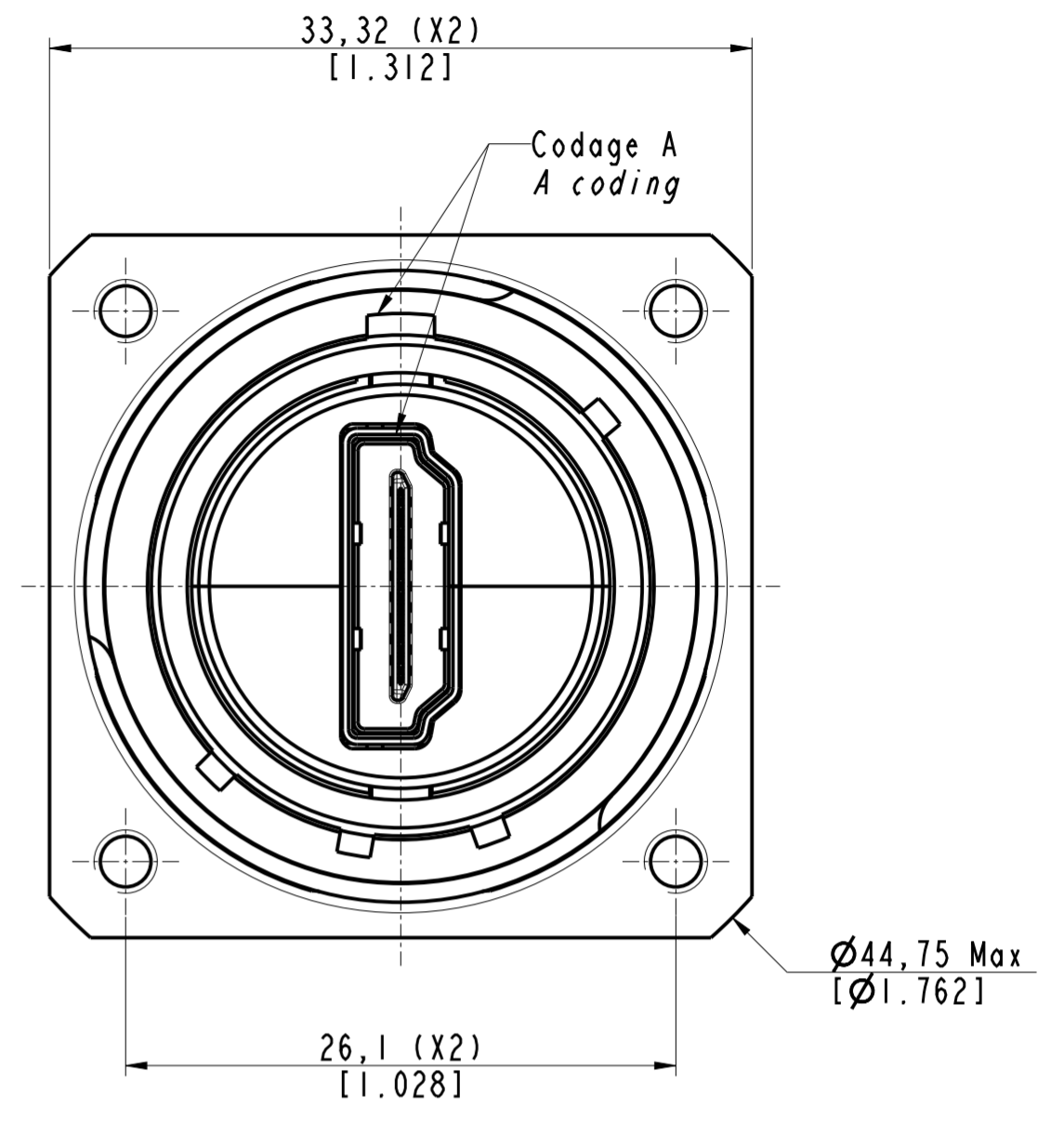
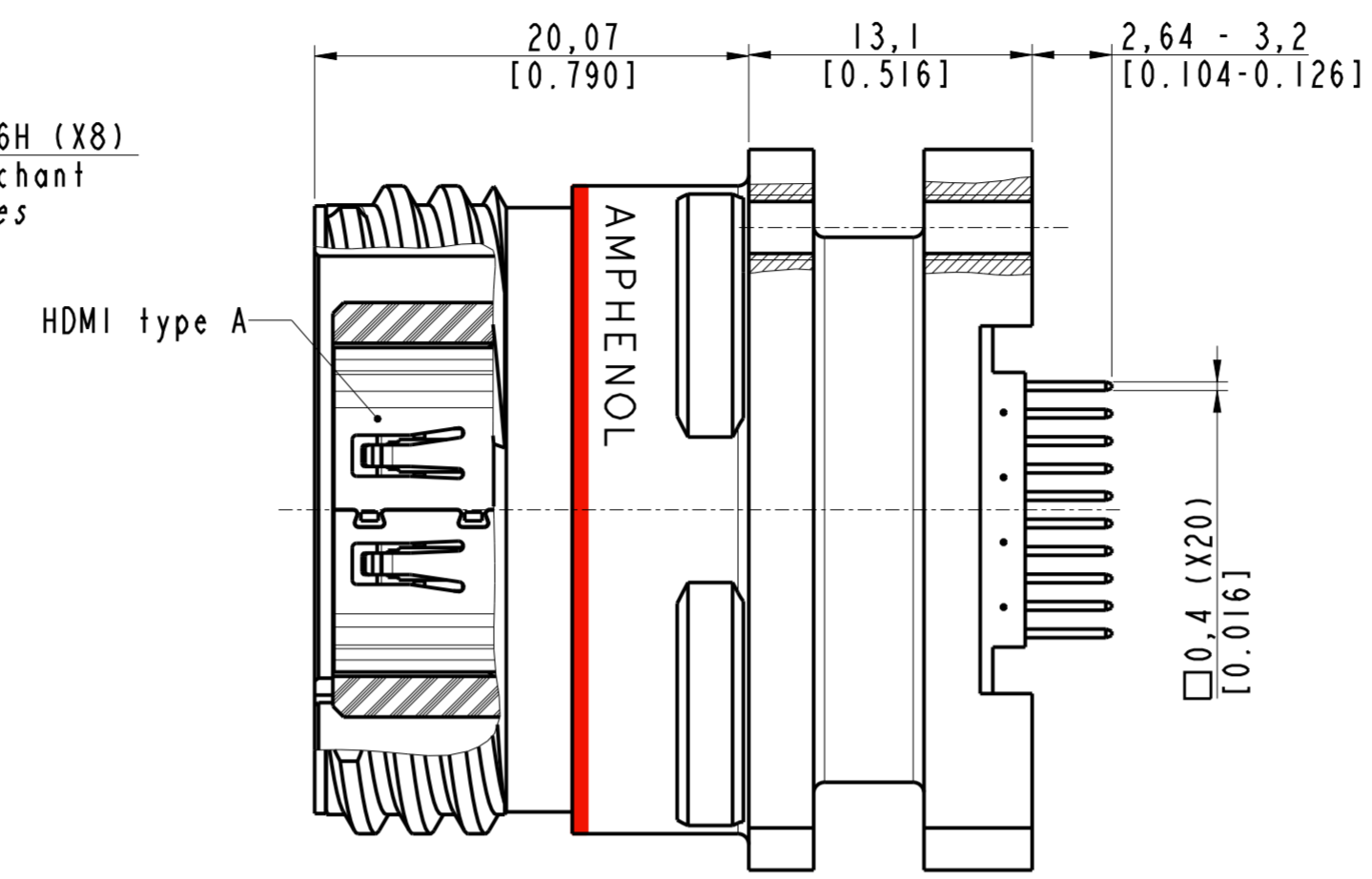
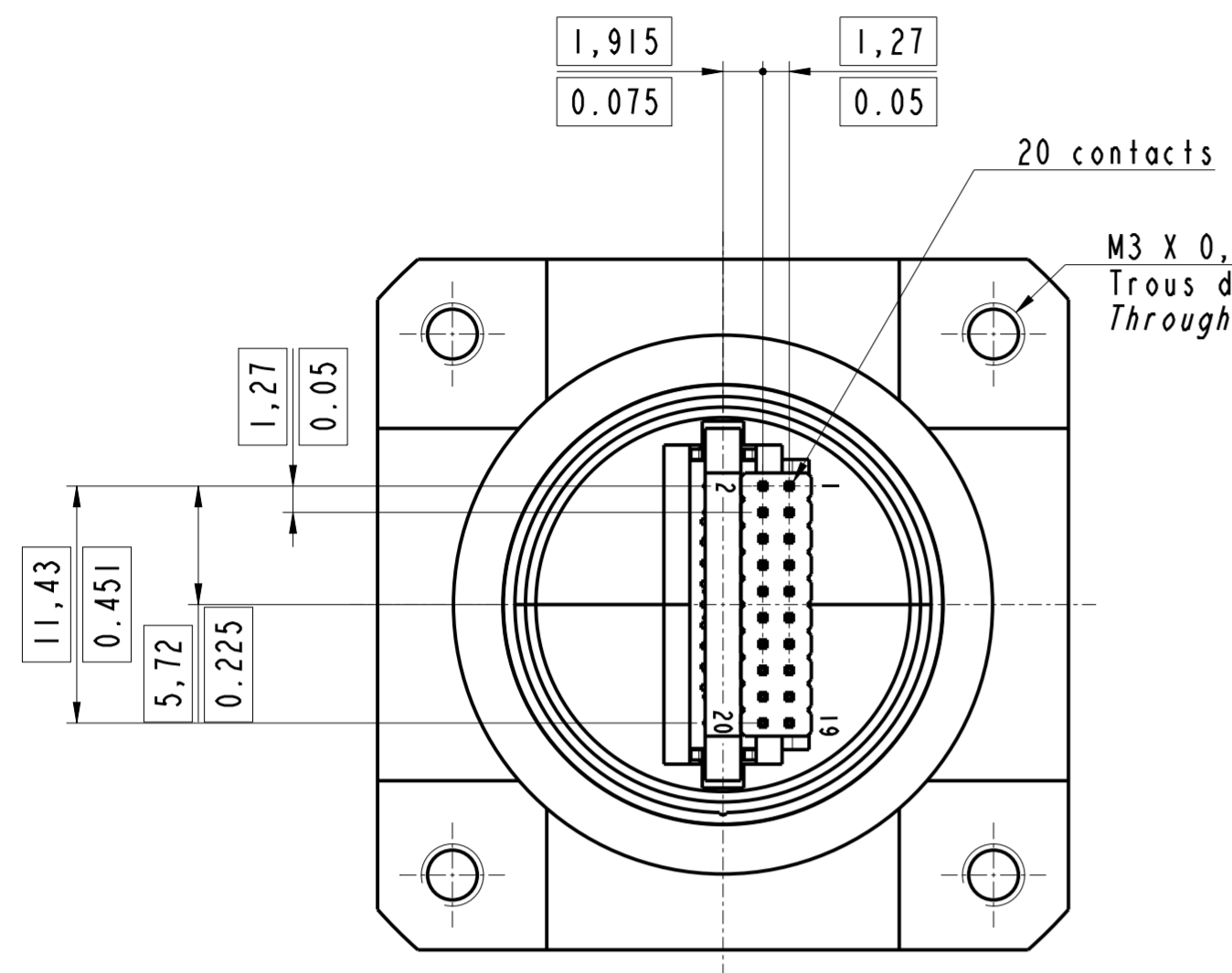


IN THE CONSTANT PURPOSE OF IMPROVING ITS PRODUCTS, AMPHENOL SOCAPEX RESERVES THE RIGHT TO MODIFY ANY DIMENSION OR CHARACTERISTICS. FM.NPD.0037.THYZE.PUNE.rev.C



HDMIF TV 2 A x F459

Embase
Receptacle

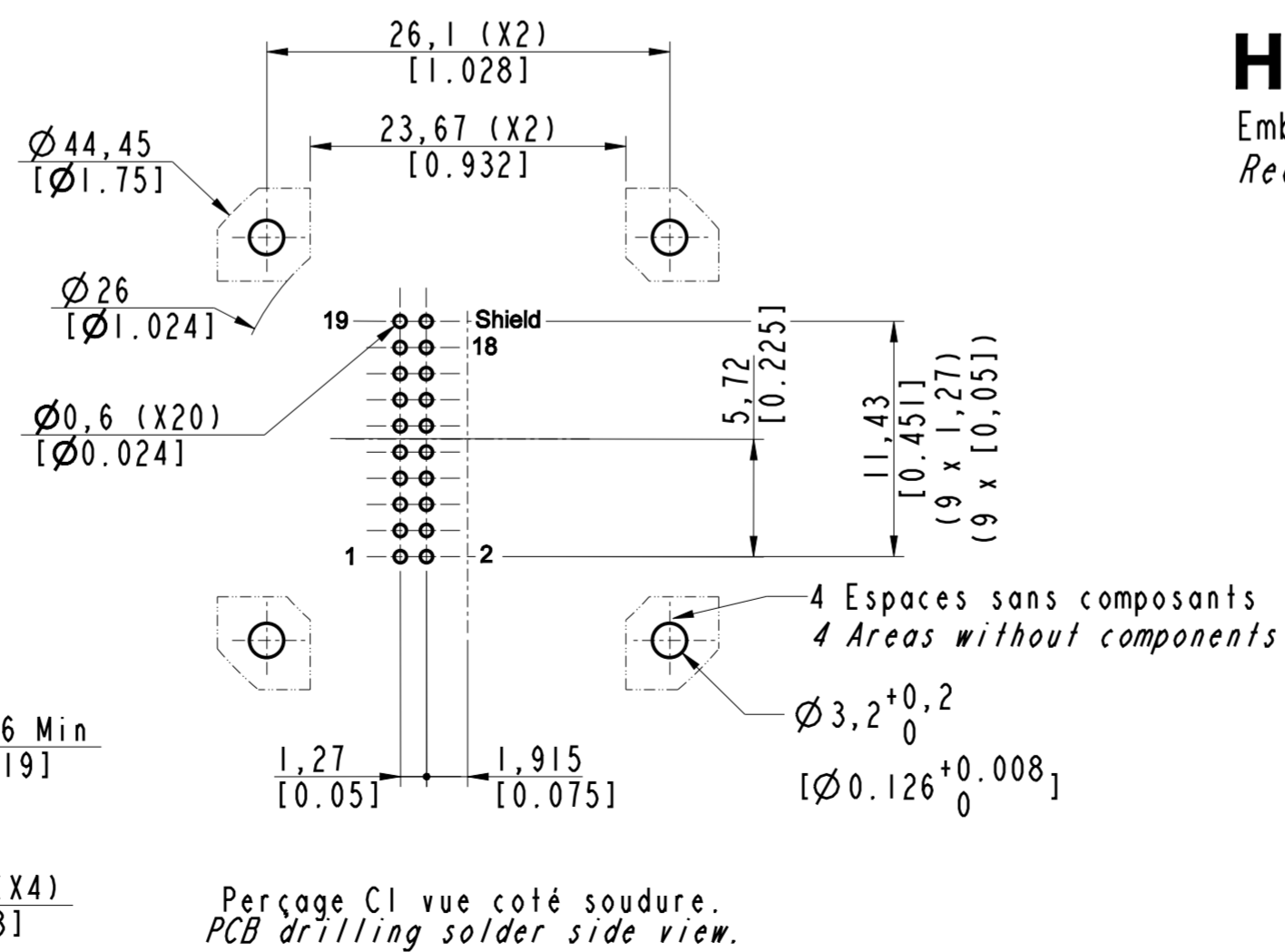
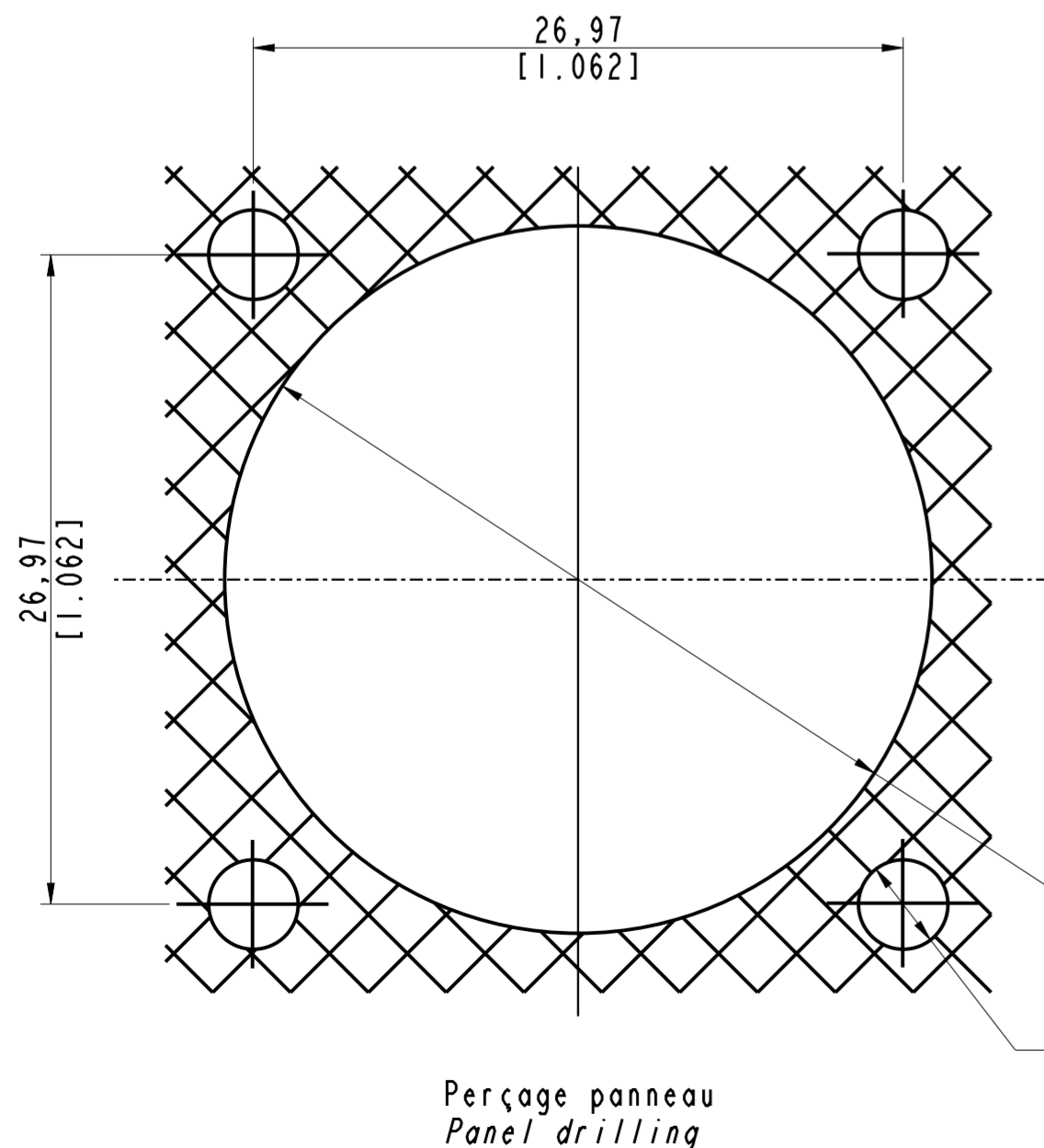
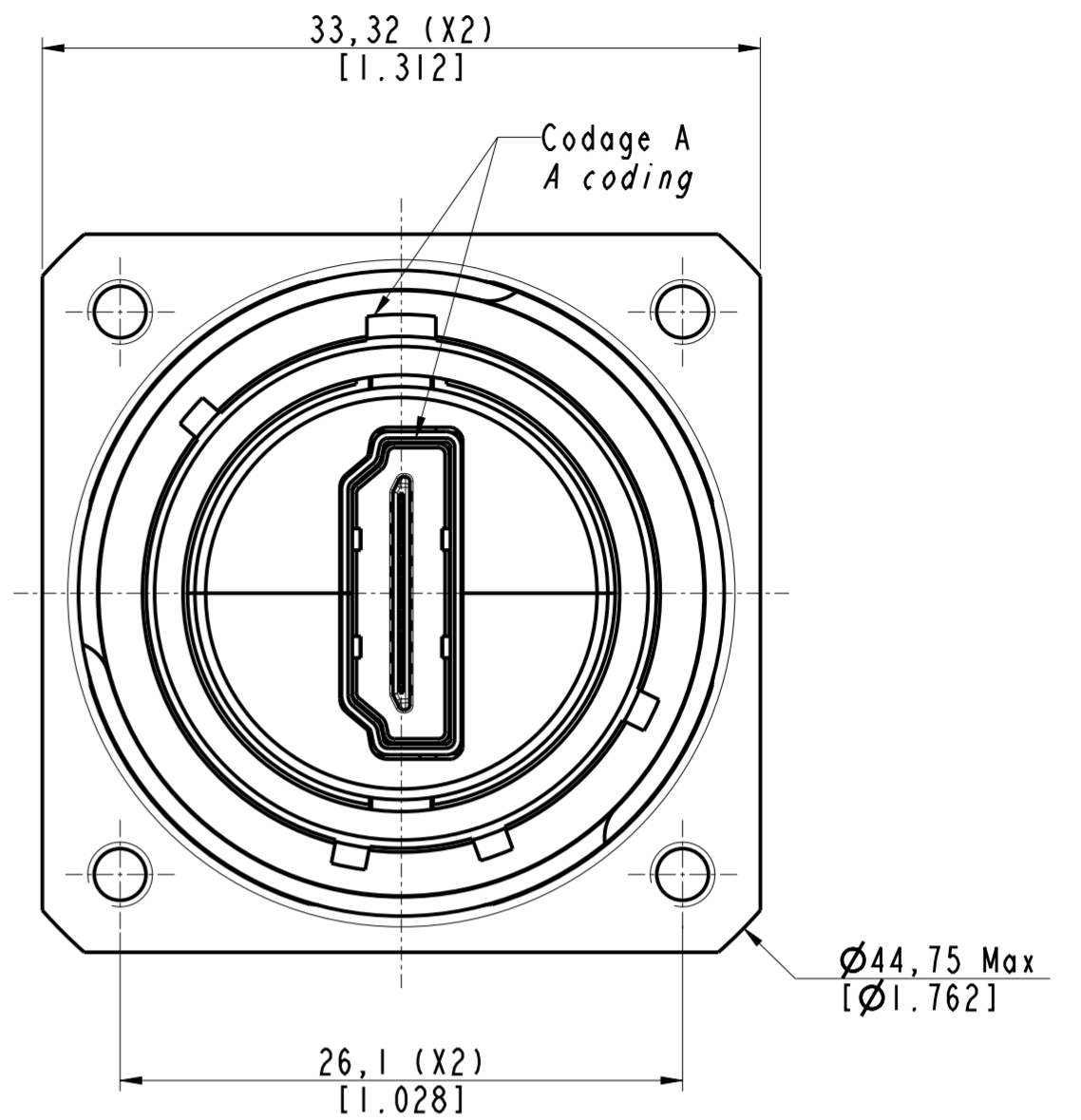
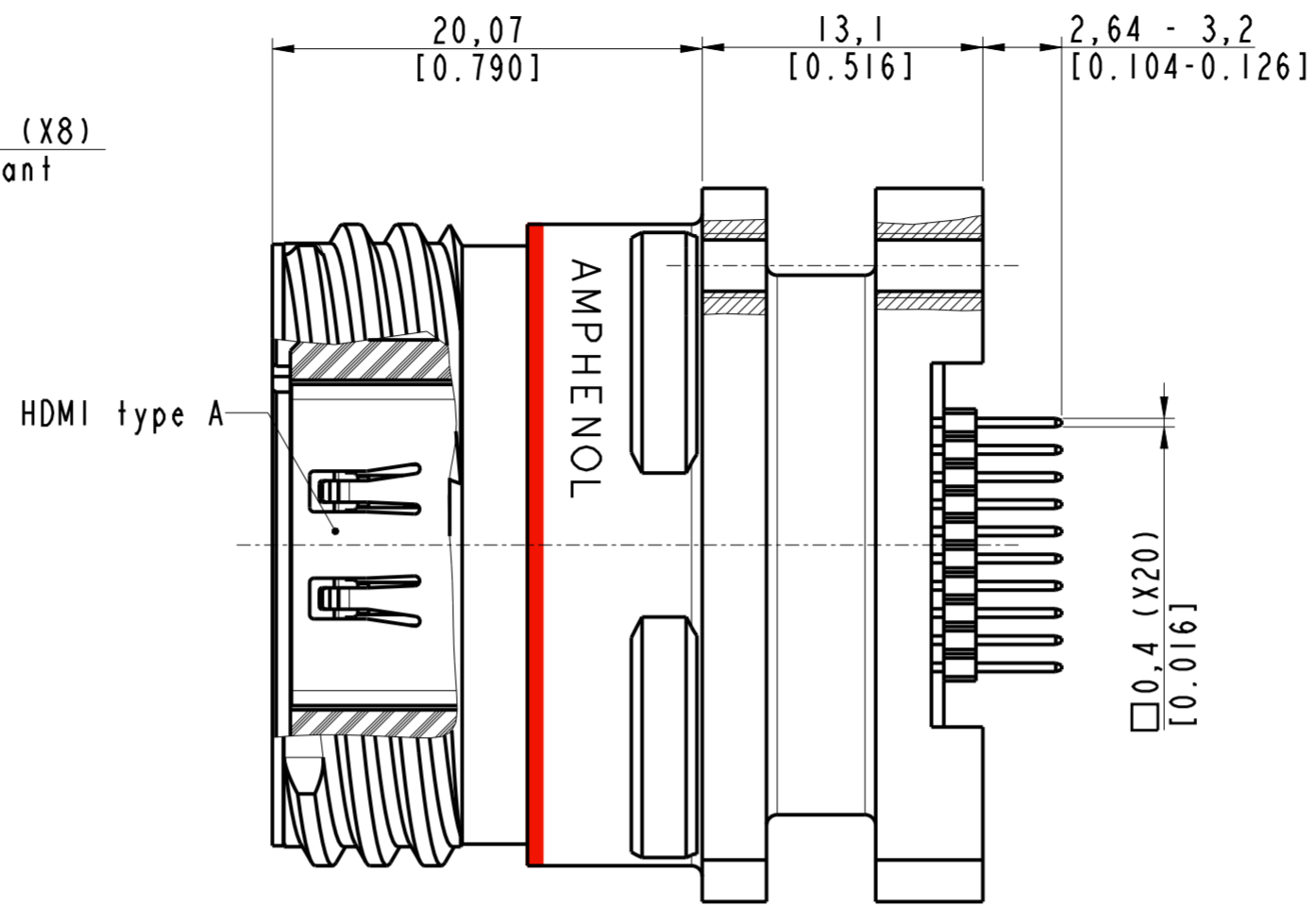
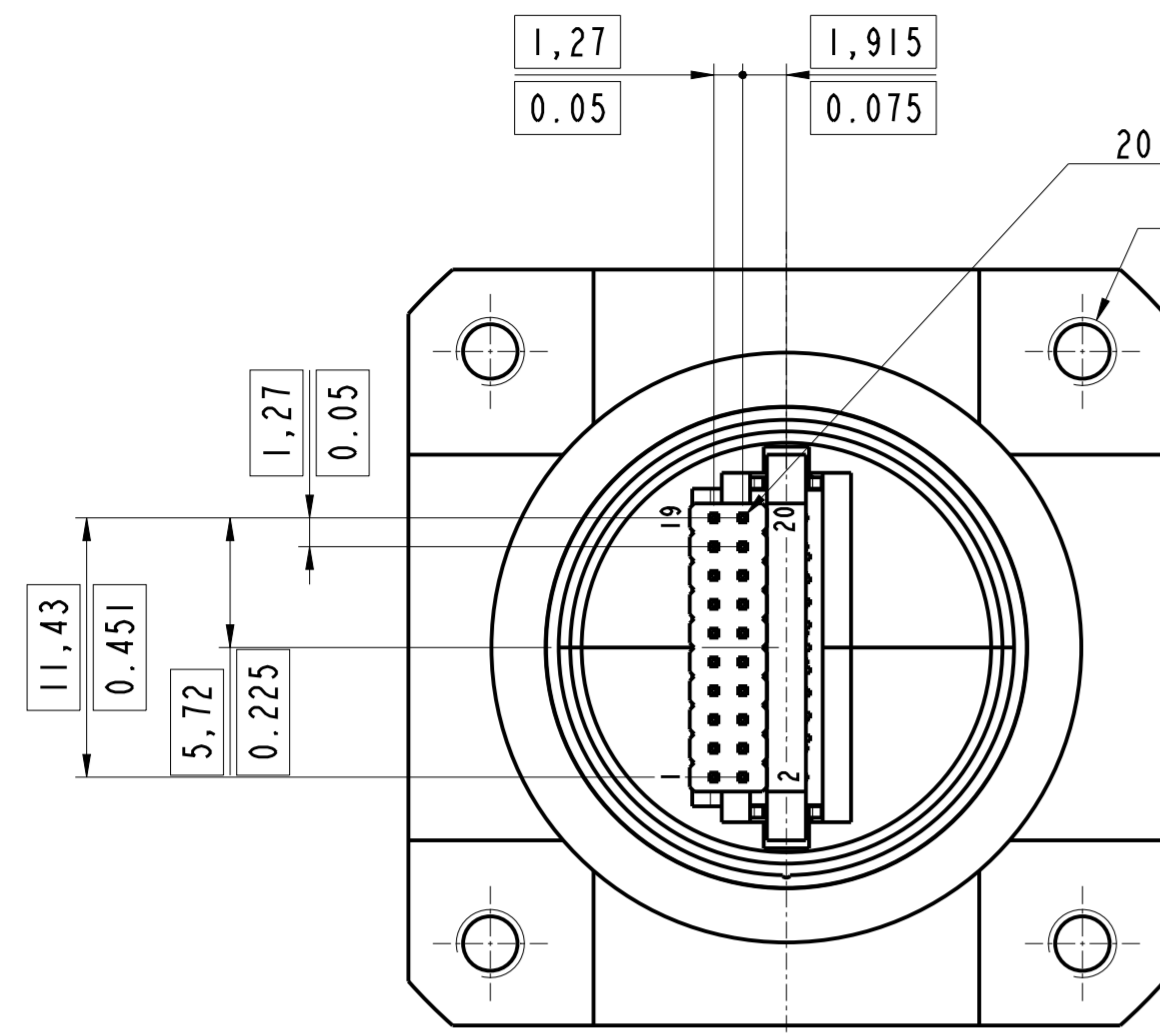
- N: Nickel-RoHS
- G: Cadmium vert olive-Non RoHS
Olive drab cadmium-Not RoHS
- ZN: Zinc nickel noir-RoHS
Black zinc nickel-RoHS
- BZ: Bronze-RoHS
- S: Stainless Steel-RoHS

Codage / Coding: A

Nota / Note:
Produit utilisable avec un cordon de port d'affichage HDMI type A mâle.
Product usable with male HDMI type A display port cordset.

DRAWN BY: R Reddy	UPDATED BY: -	LAST APPROVED BY: M Rinsant	
ALL DIMENSIONS ARE IN MM	AMPHENOL SOCAPEX		ORIGINAL DRAWING DATE: 05/03/2021
SCALE: 3,5	B.P. 29 74311 THYZE CEDEX		CONFIGURATION DATA ARE AVAILABLE IN PDM
		REV: A	PAGE: 1/2
191-PLC-1039-03			

Dimensions are in mm / [inch]



HDMIF TV 2 B x F459

Embase
Receptacle

N: Nickel-RoHS
G: Cadmium vert olive-Non RoHS
Olive drab cadmium-Not RoHS
ZN: Zinc nickel noir-RoHS
Black zinc nickel-RoHS
BZ: Bronze-RoHS
S: Stainless Steel-RoHS

Codage / Coding: B

Nota / Note:
Produit utilisable avec un cordon de port d'affichage HDMI type A mâle.
Product usable with male HDMI type A display port cordset.

DRAWN BY: R Reddy	UPDATED BY: -	LAST APPROVED BY: M Rinsant	
ALL DIMENSIONS ARE IN MM	AMPHENOL SOCAPEX		ORIGINAL DRAWING DATE: 05/03/2021
SCALE: 3:5	B.P. 29 74311 THYEZ CEDEX		CONFIGURATION DATA ARE AVAILABLE IN PDM
		REV: A	PAGE: 2/2
191-PLC-1039-03			

Dimensions are in mm / [inch]

IN THE CONSTANT PURPOSE OF IMPROVING ITS PRODUCTS, Amphenol Socapex RESERVES THE RIGHT TO MODIFY ANY DIMENSION OR CHARACTERISTICS. FM.NPD.0037.THYEZ.PUNE.rev.C