

Industrial Key Switch

Features

- Power level, bushing mount
- Impact resistance rating of IK02
- Front panel protection rating of IP40
- RoHS / REACH compliance



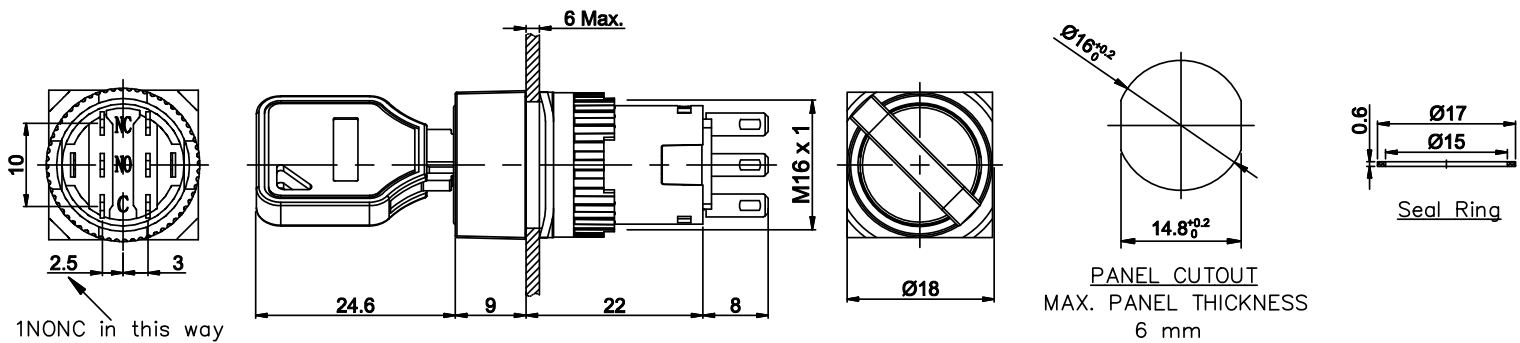
Specification

Switching Configuration	1CO
Rated Insulation Voltage	250 V
Thermal Current (Ith)	5 A max.
Rating	500 mA / 220 VAC 700 mA / 24 VDC
Switch Type	90°, 2 Positions Momentary
Mechanical Life	200000 Cycles min.
Electrical Life	50000 Cycles min.
Contact Resistance	50 mOhm max.
Insulation Resistance	100 MOhm min.
Dielectric Strength	1.5 kV RMS 50 Hz 1 min.
Operating Temperature	-25 ... 55 °C
Protection Rating	IP40
Terminal Type	Pin Terminal (2.8 x 0.5 mm)

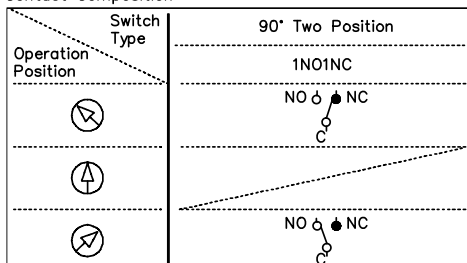
Material Specification

Body	Silver Alloy
Contact	Silver Alloy
Base	PBT

Drawing



Contact Composition



Contact structure	Operation position	Operation type	● Key Retained at position
SP=1NO 1NC	Two Position	Return	

Art. Nr.
RND 210-00788