



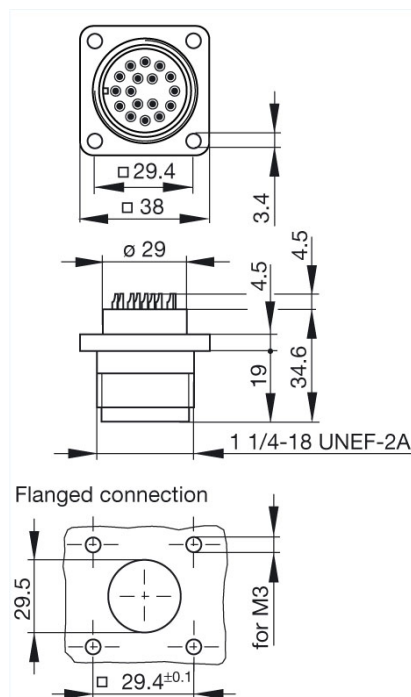
CM 02 E 20-29 P

Industrial Connectors:Circular connector CM-series:Surface mounted connector

Product description

Description	Surface mounted connector, with flange, with solder bucket
Type	CM 02 E 20-29 P
Order No.	933 063-100
Number of contacts	17 + PE
Conductor size	max. 1.5 mm ²
Standard	MIL-C 5015 bzw. VG 95 342
Housing Color	black

Drawing



Technical data

Pin dimensions	1.6 mm
Rated voltage	AC/DC 50 V
Rated current	4 A
Contact resistance	≤ 5 mOhm
Type of termination	solder
Shell size	20
Mounting	screws

Material

Contact surface material	Ag
--------------------------	----

Contact bearer material	PA 66-GF 25
Housing material	PA 66-GF 25
Environmental conditions	
Protection class (IEC 60529)	IP 67
Pollution severity	3
Temperature range	-40 °C to +90 °C up to 100 °C
Inflammability class	
Flammability, UL standard	94 V-1
Packing unit	
Packaging unit	100 pieces
Scope of delivery and accessories	
Scope of delivery	1 surface mounted connector
Accessories to order separately	can be plugged into CM 06 EA 20-27S; flat gasket CM 02 D 20, order no. 733 818-002; cap CM 02 SD 20, order no. 831 766-100