

MATERIAL

Aluminium, glossy finish.

WINDOW

ESG safety glass.

PACKING RING

FKM type VITON®*.

MAXIMUM CONTINUOUS WORKING TEMPERATURE

Up to 150°C (see instructions for use).

ATEX DIRECTIVE COMPLIANCE

HGFT-EX level indicators series comply with the Essential Health and Safety Requirements of the European ATEX Directive 2014/34/ EU (explosive atmospheres) for Group II devices, category 2GD.

II 2GD Ex h X: is the level indicators identification marked on the GN 743.6 product according to ATEX directive

II 2G Ex h IIC TX Gb LU 17 ATEX 0168 U

II 2D Ex h IIIC X °C Db LU 17 ATEX 0168 U

For details, see the instructions for use.

Ambient and/or fluid temperature: $-20 \div +150$ °C.

The documentation concerning the conformity of this product to the European Directives above mentioned and the instructions for use are integral parts of the article itself.

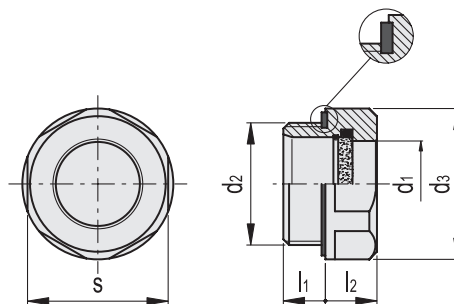
TECHNICAL DATA

GN 743.6 oil level indicators can be used on pressurised oil tanks (oil-proof resistance data available on request). The seal between the aluminium body and the ESG glass window is guaranteed by a packing ring in FKM type VITON®*.

ACCESSORIES ON REQUEST

Brass nuts with Gas threadings GH. (see page 1574) for fitting to reservoirs with wall thickness smaller than 5 mm.

* Registered trademark by DuPont Dow Elastomers.



Code	Description	d1	d2	d3	l1	l2	s	⚖
GN.37762	GN 743.6-11-M16x1.5	11	M16x1.5	22	8	8	20	8
GN.37767	GN 743.6-14-M20x1.5	14	M20x1.5	26	8.5	9	23	10
GN.37772	GN 743.6-18-M26x1.5	18	M26x1.5	32	9	11	30	21
GN.37773	GN 743.6-18-M27x1.5	18	M27x1.5	32	9	11	30	22
GN.37761	GN 743.6-11-G3/8	11	G 3/8	22	8	8	20	8
GN.37766	GN 743.6-14-G1/2	14	G 1/2	26	8.5	9	23	11
GN.37771	GN 743.6-18-G3/4	18	G 3/4	32	9	11	30	21

