

- 1
- 2
- 3
- 4
- 5
- 6
- 7
- 8
- 9
- 10
- 11
- 12
- 13
- 14
- 15
- 16
- 17
- 18

MATERIAL

High-resilience polypropylene based (PP) technopolymer handle, black colour, matte finish.

STANDARD EXECUTIONS

- **IRS.802:** black-oxide steel double guide pin, sintered and oxidised steel flat base for embedded mounting, black-oxide steel screw.
- **IRS.802-SST:** AISI 303 stainless steel double guide pin, sintered AISI 303 stainless steel flat base for embedded mounting, AISI 303 stainless steel screw.

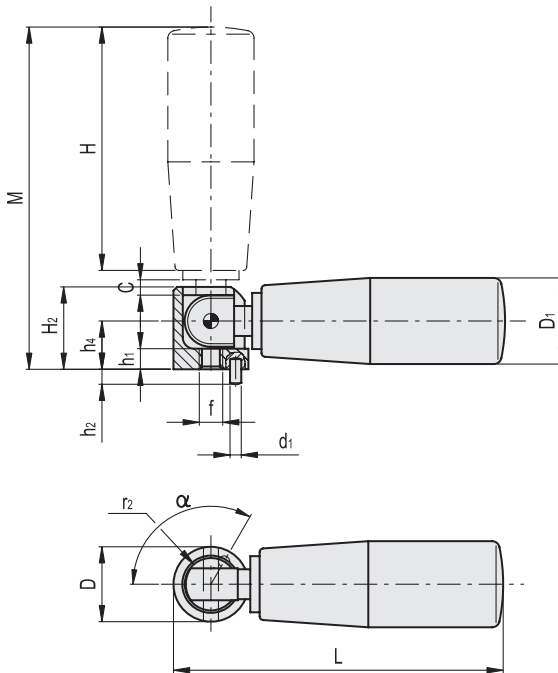
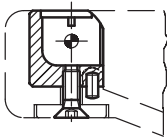
FEATURES AND APPLICATIONS

Handle pivots freely during operation: a system of coaxial bushings compensates return spring load.

The safety fold-away handle is provided with a special return mechanism "Fold-O-matic[®]" which automatically folds the handle into the retracted position when the operation has been completed. A light pressure on the handle in the direction of the handwheel axes is enough to bring it in the operation position allowing the operator to turn the handwheel freely.



Normal assembly example with embedded base



ELESA Original design

IRS.802

Code	Description	H	D	L	M	D1	H2	C	f	h1	h4	d1	h2-0.2	r2	α	Δ
28471	IRS.802/65 FOLD-O-MATIC	65	20	88	91	23	22	4	M6	5.5	13	3	3	7	120°	90
28475	IRS.802/80 FOLD-O-MATIC	80	20	104	107	26	22	4	M6	5.5	13	3	3	7	120°	100
28481	IRS.802/90 FOLD-O-MATIC	90	20	114	117	28	22	4	M6	5.5	13	3	3	7	120°	110

IRS.802-SST

Code	Description	H	D	L	M	D1	H2	C	f	h1	h4	d1	h2-0.2	r2	α	Δ
28473	IRS.802/65-FOLD-O-MATIC-SST	65	20	88	91	23	22	4	M6	5.5	13	3	3	7	120°	91
28477	IRS.802/80-FOLD-O-MATIC-SST	80	20	104	107	26	22	4	M6	5.5	13	3	3	7	120°	101
28483	IRS.802/90-FOLD-O-MATIC-SST	90	20	114	117	28	22	4	M6	5.5	13	3	3	7	120°	111

INOX STAINLESS STEEL