

SIMONWORK BT1 BOX 1200

mobile

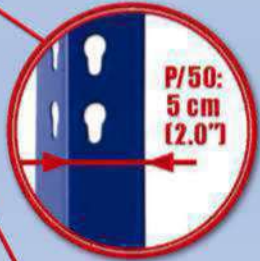


156 x 121 x 61 cm
61.2" x 47.6" x 24"

5 Años Garantía
Years Guarantee
Jahre Garantie
Ans Garantie
Anos de Garantia
SIMONRACK



Carga uniformemente repartida
Evenly distributed load
Gleichmäßig verteilte Last
Charge uniformément répartie
Carga uniformemente distribuida



- | | | | | | |
|------------------------------------------|--------------------------------|-------------------------------------------------------------------------------|-----------------------|------------------------|-----------------------------------------------------|
| 2 x
144 cm
56.7" | 2 x
84 cm
33.1" | 1 x
MDF
60x120 cm
23.6" x 47.2"
1 x
40x120 cm
15.7" x 47.2" | 4 x
60 cm
23.6" | 4 x
120 cm
47.2" | 6 x
9,5x19 cm
3.7"x7.5" |
| 1 x
120 cm
47.2"
60 cm
23.6" | 3 x
120x20 cm
47.2"x7.9" | 8 x | 2 x
60 cm
23.6" | 2 x
58 cm
22.8" | 1 x
35 kg
(80 lb)
56x110 cm
22.0"x43.3" |
| 12x | 2 x | 2 x | | | |



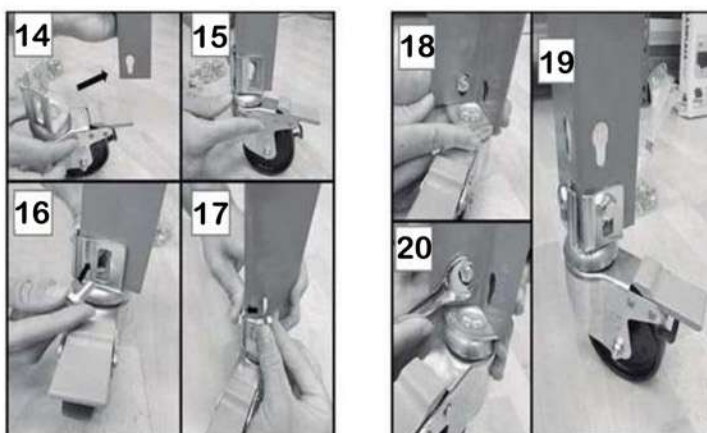
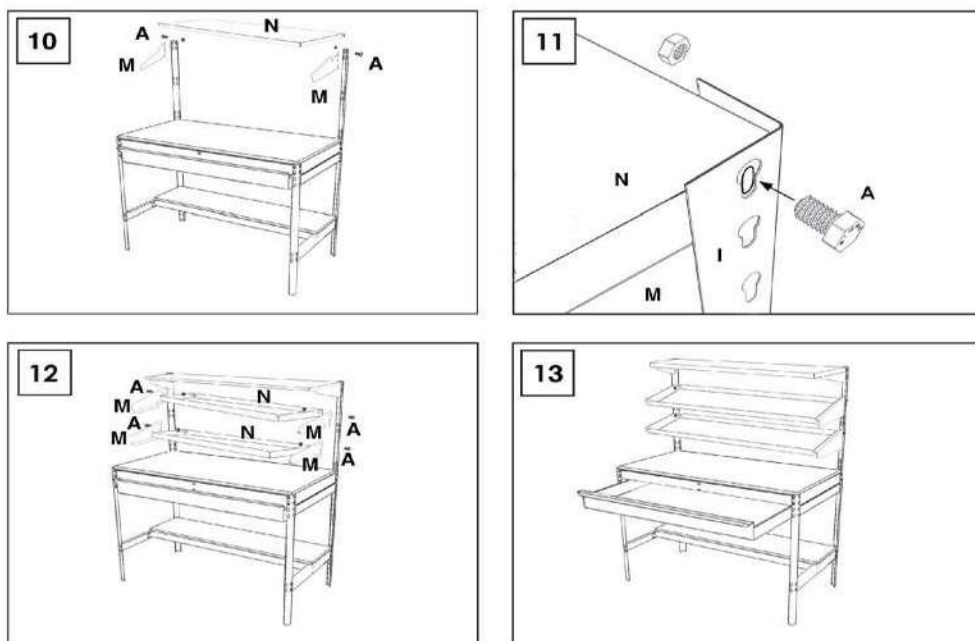
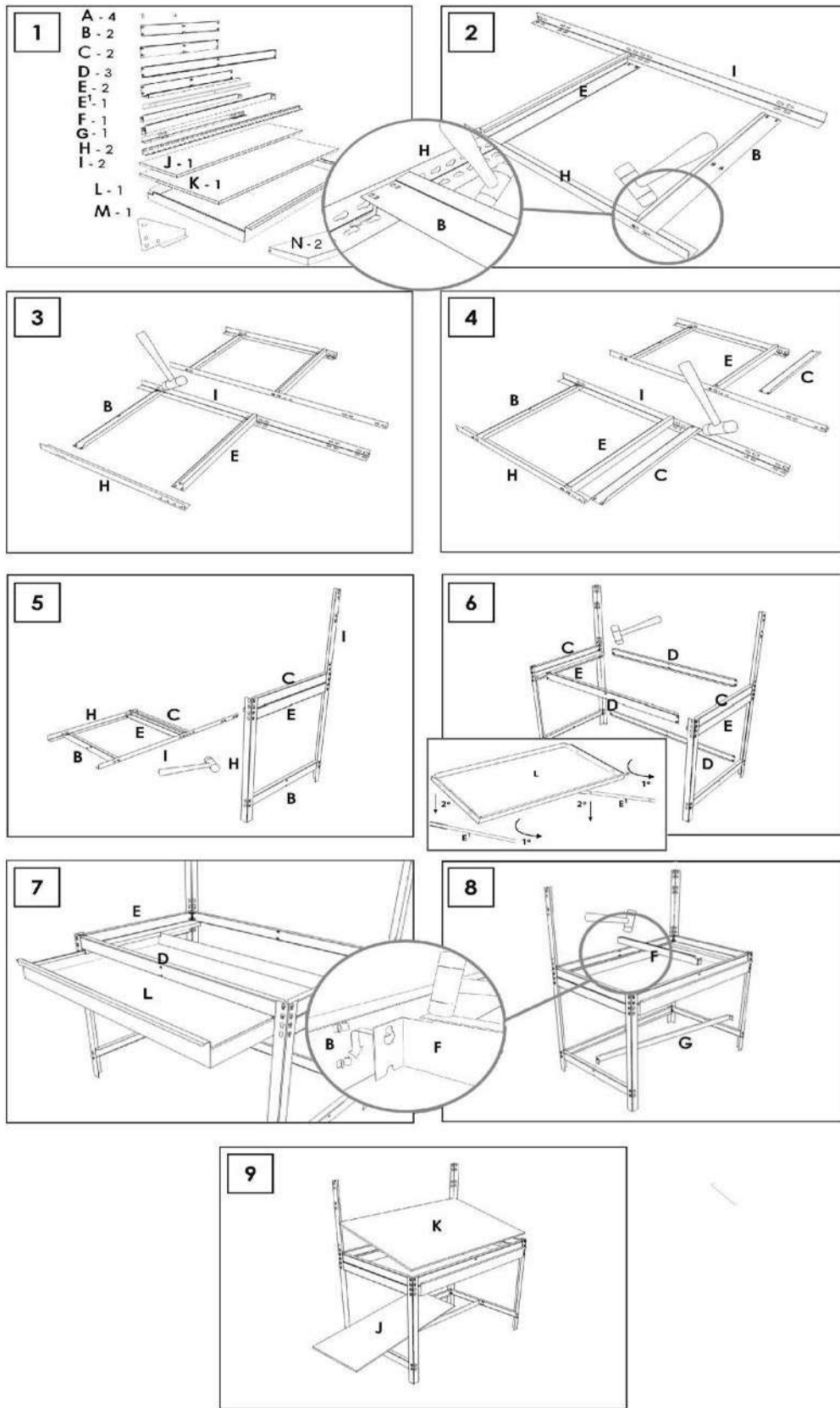
ESTANTERIAS SIMON S.L. B. 50.556.463
PG. ALFAMEN C/ POLIGONO C. Nº3
ALFAMEN (ZARAGOZA)



www.simonrack.com



INSTRUCCIONES
INSTRUCTIONS
ANLEITUNG
INSTRUCTIONS



SIMONCLASSIC



SIMONCLICK



SIMONTALLER



SIMONAUTO



SIMONWORK



SIMONLOCKER



SIMONOFFICE



SIMONHOME



SIMONGARDEN



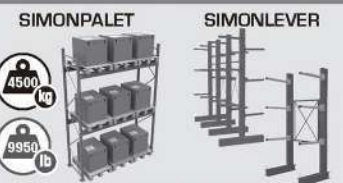
SIMONTITÁN



SIMONINOX



SIMONINDUSTRIAL



ALTILLOS Y PASILLOS ELEVADOS
PLATFORMS AND MEZZANINES
LAGERBÜHNEN • PLATES-FORMES ET MEZZANINES



* Kg / lb por bandeja con carga uniformemente repartida
Kg / lb per shelf uniformly distributed load
Kg / lb pro fach bei gleichmäßig verteilter Last
Kg / lb par plateau avec charge uniformément répartie

