

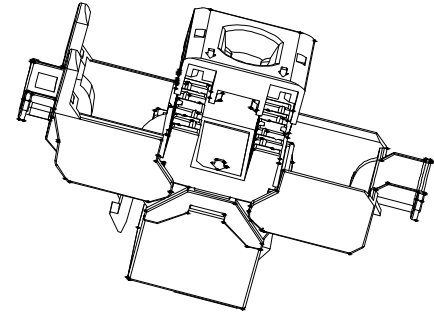
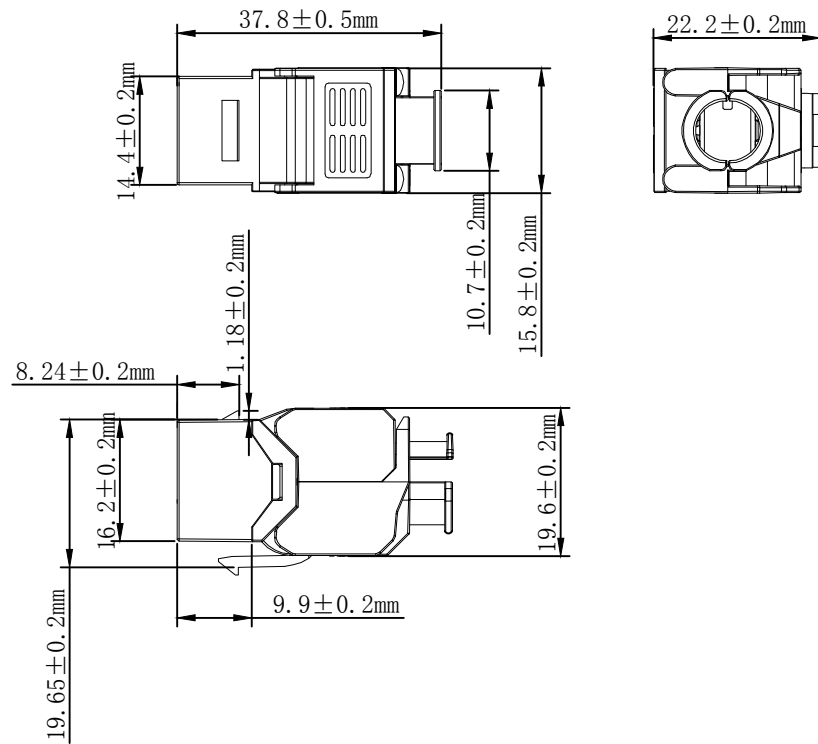
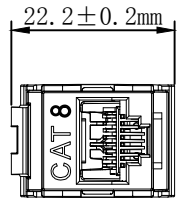
SYNERGY 2 [®] pantone black C

1 pantone blue 298C

NOTE:

- 1. PANEL FRAME:SPCC CARBON STEEL T=1.2MM POWDER COATING
- 2. PANEL BRACKET SPCC NICKEL PLATING
- 3. BODY COLOR: Gray "1 2 3.....24" Color: black Font : Arial H:4.4MM
- 4. Accessory:
 - 1. Cable Tie(75X1.9mm) *24pcs
 - 2. Screw and Nut M6*18mm × 2set

SYNERGY 21									
CUSTOMER			ITEM NO.			S216333			
PRODUCT NAME		19" 0.5U 24 ports blank Patch panel Three-piece type			MANUFACTURE COUNTRY:		CHINA	UNIT	MM
NEW			2016-1-15		A	DRAWNBY		CHECKBY	
BY		CHK		REVISION RECORD MODIFICATIONS			DATE		REV.
SYNERGY 21			SYNERGY 21			SYNERGY 21		2016-1-15	



MATERIAL LIST:

⑦	Housing	Zinc alloy Silver	1	
⑥	RJ 45 JACK INSERT	PHOSPHOR BRONZE 8P8C GOLD PLATED	8	
⑤	PCB	FR-4 1.6mm	1	
④	IDC BODY	White PC	1	
③	IDC PIN	PHOSPHOR BRONZE & TINNED	8	
②	LABEL COLOR CODE	T568A/B	2	
①	IDC TERMINAL	FOR 22-26AWG CABLE	1	

NO	PARTS NAME	SPECIFICATION STANDARD	QT' Y	REMARK
		NEW	2020-09-01	A
BY	CHK	REVISION RECORD MODIFICATIONS	DATE	REV.

NOTES:

ELECTRICAL:

- Contact Resistance : 20MΩ MAX
- Insulation Resistance : 500MΩ MIN @ 500V DC
- Withstand Voltage : DC 1000V AC 700V RMS 60Hz, 1MIN
- Compliance with Class I up to 2000 MHz to ISO/IEC 11801-1:2017 (Ed. 1. 0)

ENVIRONMENTAL:

- Storage Temperature : -40°C ~ +70°C
- Operation Temperature : -10°C ~ +60°C

MECHANICAL

- MATERIAL: Zinc alloy
- IDC MATERIAL: PC TERMINAL:PHOSPHOR BRONZE, TIN PLATING
- RJ45 Contact Life: 750 Times Min
- Plug inforce:<30N
- Solid cable:1/22AWG (0.65MM)-1/26AWG (0.4MM) ID:1.1MM-1.6MM
- Stranded cable:22/7-26/7AWG ID:1.1MM-1.6MM
- Cable OD: 5.0mm-8.5mm
- PoE per IEEE 802.3af, PoE+ per IEEE 802.3at,PoE++ per IEEE 802.3bt
- RoHS 2.0 and REACH Compliant
- with copper foil in packing.

SYNERGY 21							
CUSTOMER	ALLNET Computersysteme GmbH	ITEM NO.	S216378				
PRODUCT NAME	CAT 8.1 STP KEYSTONE JACK	manufacture country:	china	UNIT	MM		
DRAWNBY	CHECKBY	APPOBY	DATE				
SYNERGY 21	SYNERGY 21	SYNERGY 21	2020-09-01				