

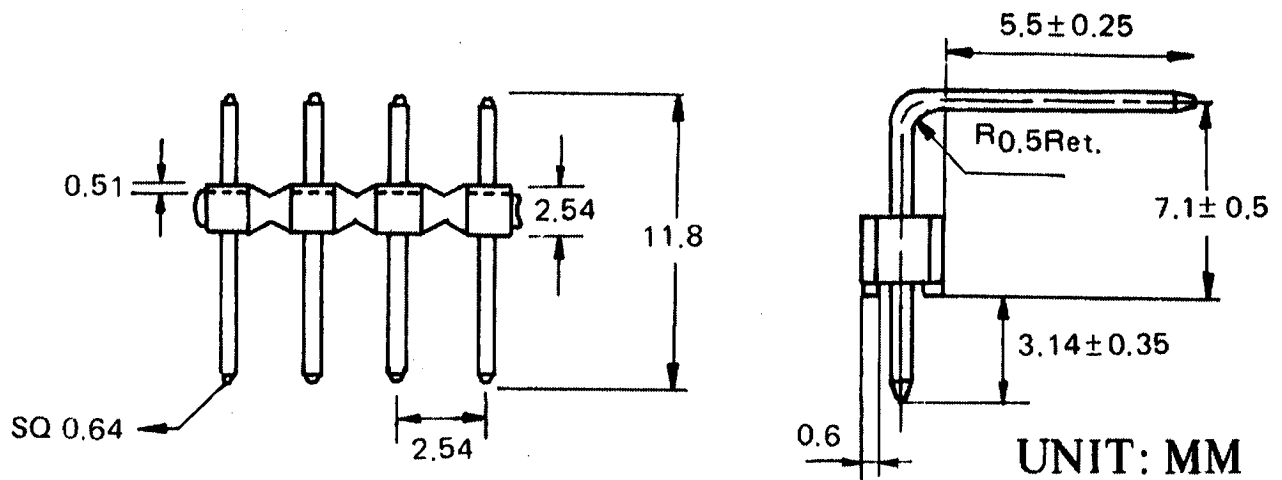
2.54mm PCB connectors

Order code	Manufacturer code	Description
22-0700	n/a	3 WAY R/A SINGLE ROW PLUG (RC)
22-0705	n/a	4 WAY R/A SINGLE ROW PLUG
22-0710	n/a	5 WAY R/A SINGLE ROW PLUG (RC)
22-0715	n/a	10 WAY R/A SINGLE ROW PLUG RC
22-0795	n/a	36 WAY R/A SINGLE ROW PLUG (RC)

2.54mm PCB connectors	Page 1 of 2
The enclosed information is believed to be correct, Information may change without notice due to product improvement. Users should ensure that the product is suitable for their use. E. & O. E.	Revision A 20/02/2007

PCB Single Row Right Angle Header

TECHNICAL DRAWING



SPECIFICATION

MATE WITH 0.64 mm² PIN

NUMBER OF CONTACTS	:	FROM 2 TO 80
CONTACT MATERIAL	:	COPPER ALLOY
CONTACT FINISH	:	GOLD PLATED
INSULATOR MATERIAL	:	BLACK GLASS FILLED POLYESTER (UL 94V-0)