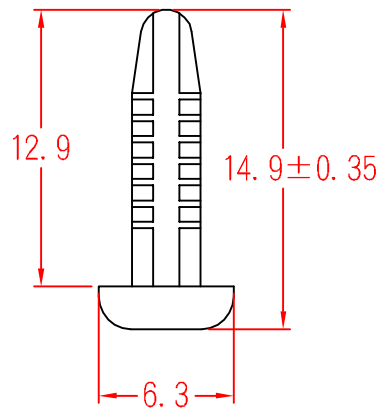
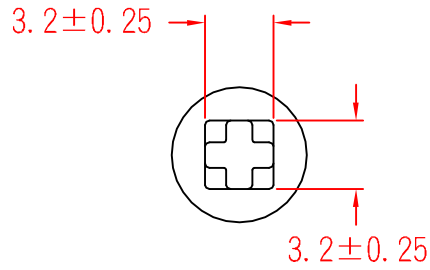


<b>Order code</b>	<b>Manufacturer code</b>	<b>Description</b>
33-2054	n/a	PUSH RIVETS - PACK OF 100 (RC)

	Page 1 of 2
The enclosed information is believed to be correct, Information may change without notice due to product improvement. Users should ensure that the product is suitable for their use. E. & O. E.	Revision A 20/02/2007

# SR-0313



承認  
KSS  
89.11.14  
邱平裕

審查

製圖  
KSS  
89.11.14  
謝文通

設計

中文名 扣式鉚釘		MATERIAL UL 94V-2 NYLON 66	ITEM NO. SR-0313
SCALE		FINISH	NAME PUSH RIVET
△ ( . . )	誤 差 TOLERANCE ± 0.5mm	△ 11-14-2000 DATE	REVISIONS K001
使用機種			R.NO.



凱士士企業股份有限公司

▶ 請勿實測圖面 ◀